

Project:	Type:
	Comments:



Highlights

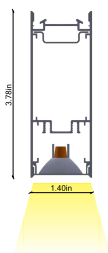
The TechoLED BX series features specification-grade linear LED fixtures made from high-grade aluminum extrusions. Available in standard sizes from 2 to 8 feet, as well as custom lengths, these fixtures can be pendant, surface, or wall-mounted. With virtually limitless options for creating patterns and shapes, the BX series provides a versatile, cost-effective, and modern lighting solution.

LED: Samsung LED chips, 2700-5000K, tunable white and RGB/RGBW available, 90CRI, 50,000 hour rated lifespan. Custom lumen packages available.

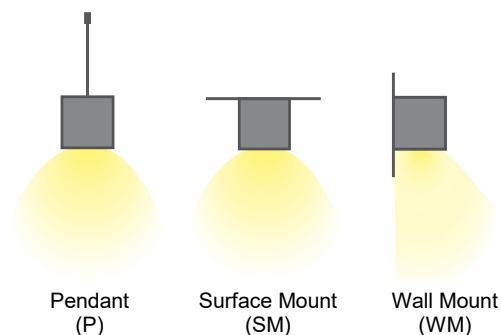
Optical: Direct illumination, multiple beam angles available, UGR<16

Construction: Damp location listed, high grade aluminum extrusion, die cast end caps, PMMA diffuser, powder coat finish. X, T, L lit corners, wall to ceiling transitions, for smooth seamless patterns.

Cross Section



Installation



Project:	Type:
	Comments:

Configuration Example

Model #	Distribution	Length	Lumen Output	Color Temp.	Beam Angle	Voltage
TECHOLED-BX-1L-D-2-ME-27-15-U	Direct	2'	Medium	2700K	15°	110-277V

Ordering Guide:

Select one option from each group below. For a custom preference please contact sales@techoled.com

1-FIXTURE ID		2-DISTRIBUTION		3-LENGTH		4-LUMEN OUTPUT	
BX-1L	BX-1L	D	Direct	2	2'	ME	Medium
				4	4'		
				6	6'		
				8	8'		
				C	Custom		

5-COLOR TEMP.		6-BEAM ANGLE		7-VOLTAGE		8-FINISH	
27	2700K	15	15°	U	110-277V	B	Black
30	3000K	35	35°	HV	347V	C	Custom (RAL#)
35	3500K	45	45°			S	Silver
40	4000K					W	White
50	5000K						
DT	Lutron T-series						
RGB	RGB						
RGBW	RGBW						
D	Tunable White						

9-MOUNTING		10-DRIVER OPTIONS		11-OPTIONS		12-OPTIONS (CONT.)	
P	Pendant	DM	0-10V Dimming	RF-D	Remote Tunable (RF only)	EM	EM Battery (remote)
W	Wall Mount	2C	2 Channel	RF-R	Remote RGB/W (RF only)	X	None
SM	Surface Mount	DM1%	1% Dimming	M	Motion Sensor (remote)		
		LT1	LDE1 Lutron 1%	BM	BubblyNet BT Mesh		
		DA	Dali	CS	Casambi		
		DMX	DMX	AWN	Lutron Athena Node		
		TR	Triac Dimming	AWNS	Lutron Athena Node sensor		
		RF	RF Wireless	NL-ES7	nLight - Wired		
		X	None	NL-AIR	nLight - AIR		
				NL-M	nLight - Module only		
				X	None		

Project:	Type:
	Comments:

Lumen Output Details

Model #	Size	Color Temp.	Wattage	Lumen Output	Light Source
TECHOLED-BX-1L-D-2-ME-30	2'	3000K	10W	950Lm	10 spots
TECHOLED-BX-1L-D-4-ME-30	4'	3000K	20W	1900Lm	20 spots
TECHOLED-BX-1L-D-6-ME-30	6'	3000K	30W	2850Lm	30 spots
TECHOLED-BX-1L-D-8-ME-30	8'	3000K	40W	3800Lm	40 spots

Performance above applies to 90 CRI, 3000K. Calculate 96% for 2700K, 104% for 3500K and 109% for 4000K

Performance

Output	Direct	
	Lumens / W	W / spot
Medium	95	1

Driver Option Details

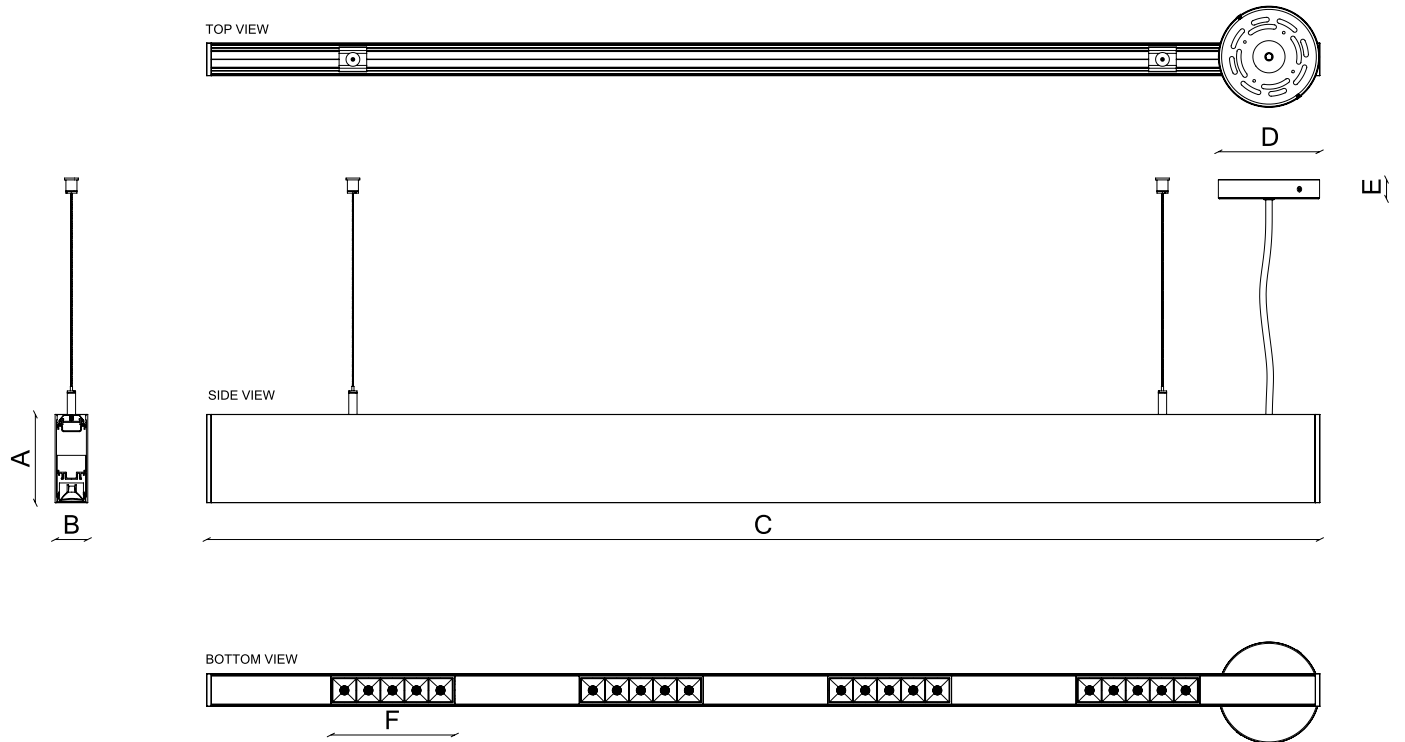
Code	Description
LT1	LDE1 -Lutron Hi-lume 1% EcoSystem, Soft-on, Fade-to Black Dimming
DA	DALI
DMX	DMX - Decoder provided by TechoLED, controller by others

Controls Details

Code	Description
RF-D	RF Wireless remote controller for tunable white. Default for tunable white.
RF-R	RF Wireless remote controller for RGB & RGBW. Default for RGB & RGBW.
M	Motion Sensor - remote, for integral sensor consult factory
BM	Bluetooth Mesh Smart Wireless Control by BubblyNet
CS	Bluetooth Mesh Smart Wireless Control by Casambi
AWNR	Lutron Athena wireless node
AWNS	Lutron Athena wireless node with sensor
NL-ES7	Acuity nLight – Wired nES7 sensor
NL-AIR	Acuity nLight – AIR wireless rES7 sensor
NL-M	Acuity nLight - ready, sensor by others

Project:	Type:
	Comments:

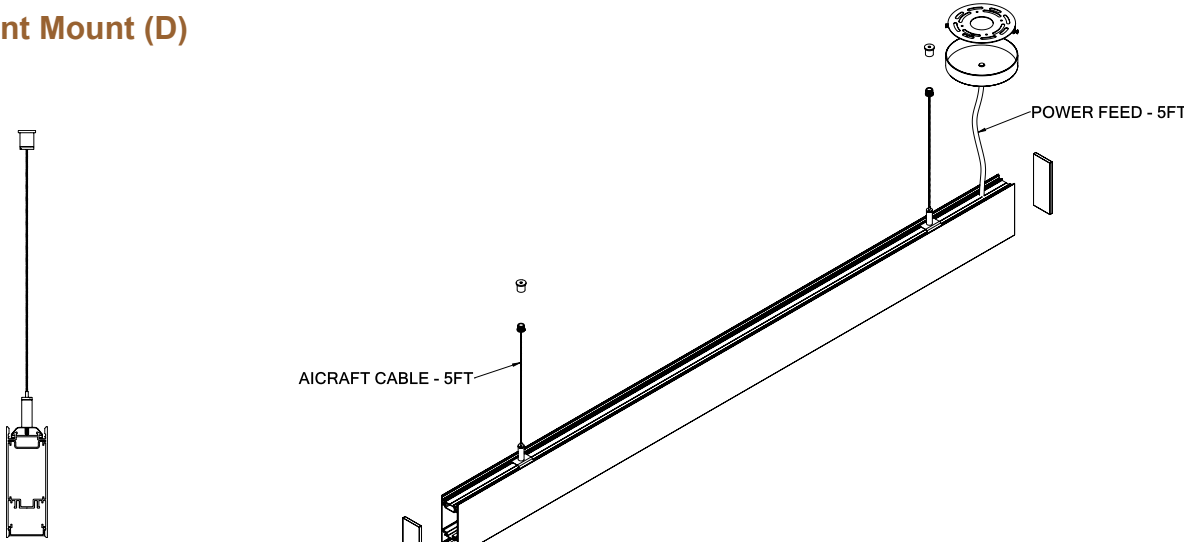
Dimension and Mounting - Direct Distribution (D)



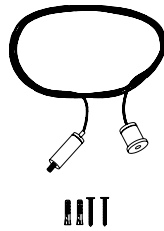
FIXTURE ID	A	B	C	D	E	F
BX-1L-D-2	3.8"	1.4"	24"	4.33"	0.98"	5.21"
BX-1L-D-4	3.8"	1.4"	48"	4.33"	0.98"	5.21"
BX-1L-D-6	3.8"	1.4"	72"	4.33"	0.98"	5.21"
BX-1L-D-8	3.8"	1.4"	96"	4.33"	0.98"	5.21"

Project:	Type:
Comments:	

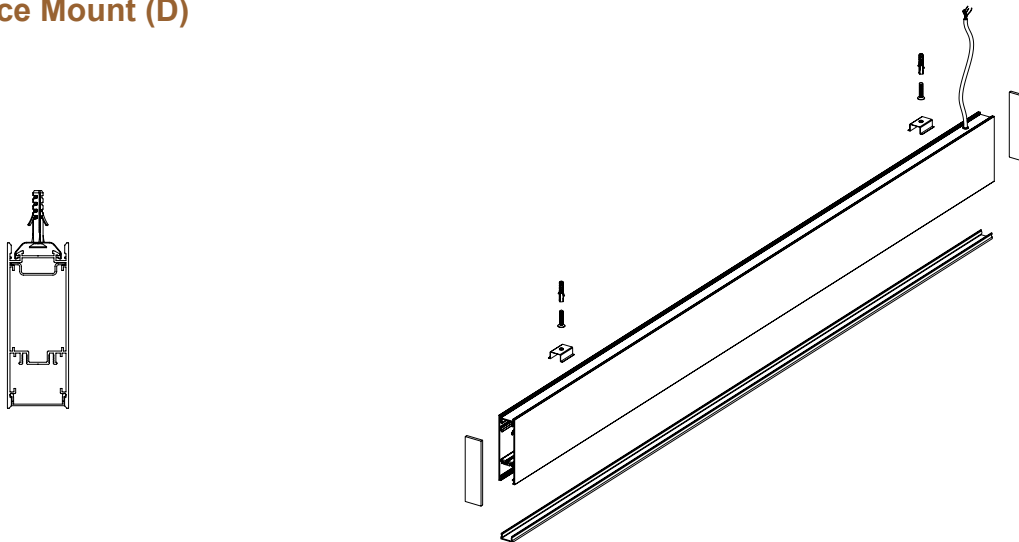
■ Pendant Mount (D)



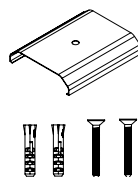
■ Pendant Kit



■ Surface Mount (D)

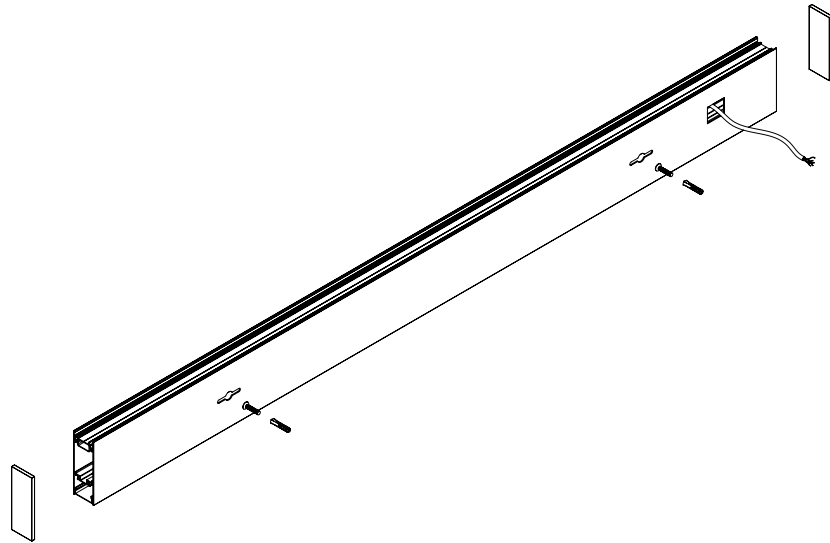
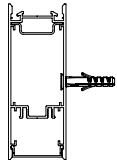


■ Surface Mount Kit

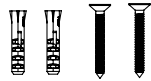


Project:	Type:
	Comments:

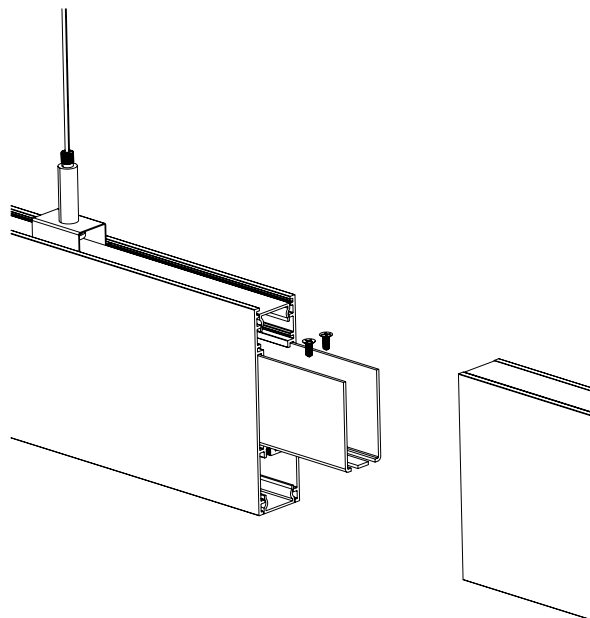
■ Wall Mount (D)



■ Wall Mount Kit

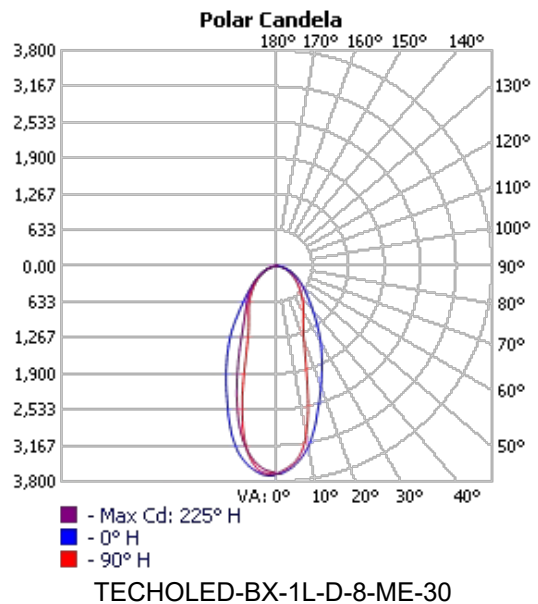
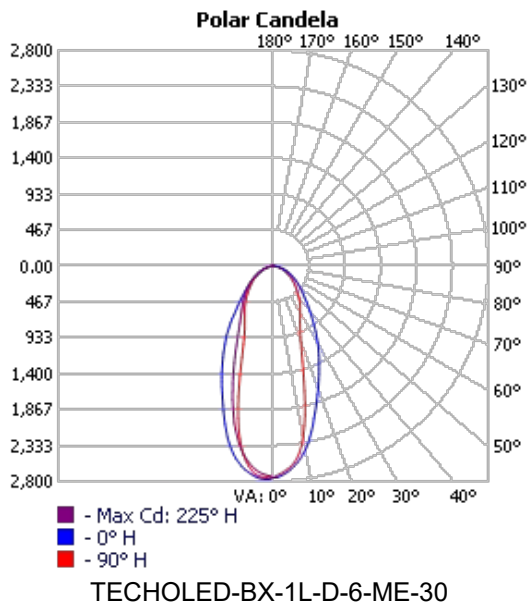
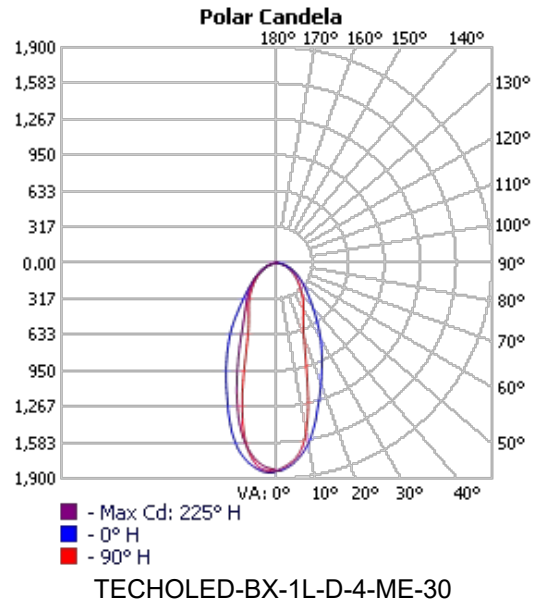
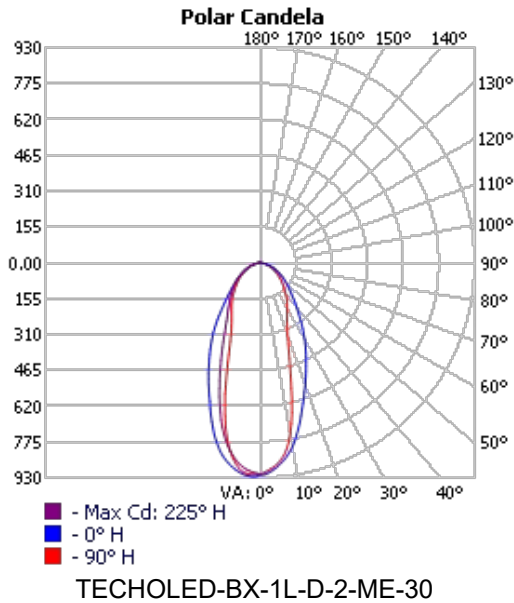


□ Connectors



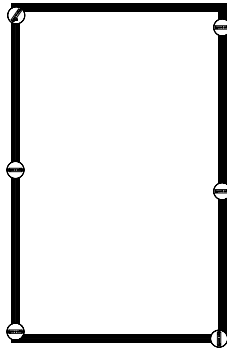
Project:	Type:
	Comments:

Photometrics

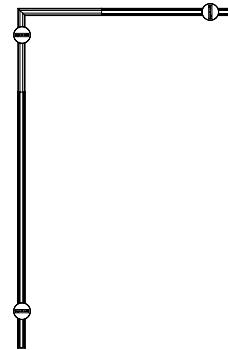


Project:	Type:
	Comments:

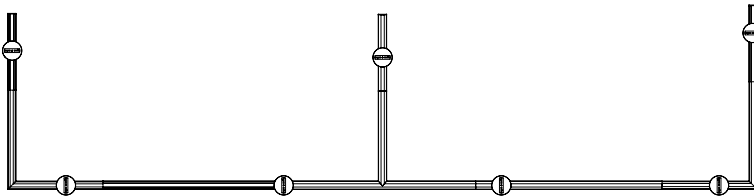
Patterns Option Examples



Rectangle

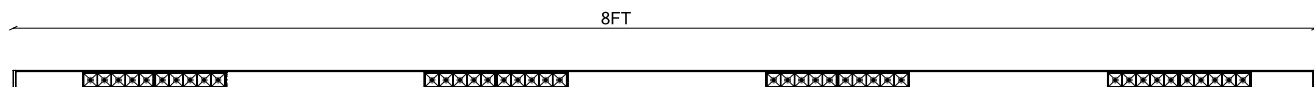
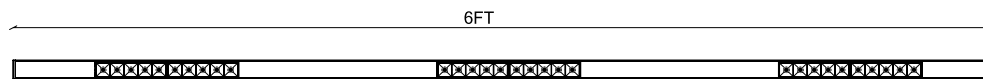
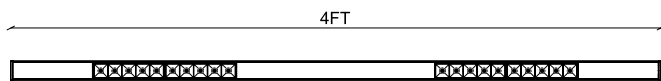
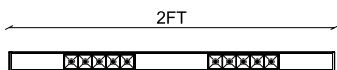


L-Shape



Custom

Configurations



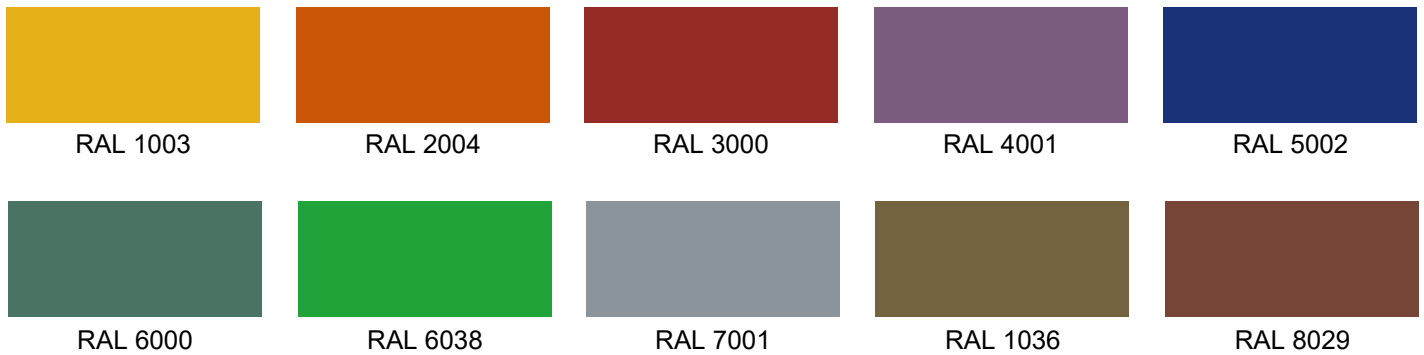
Project:	Type:
	Comments:

Finish Details (powder coat finish)

■ Standard Colors

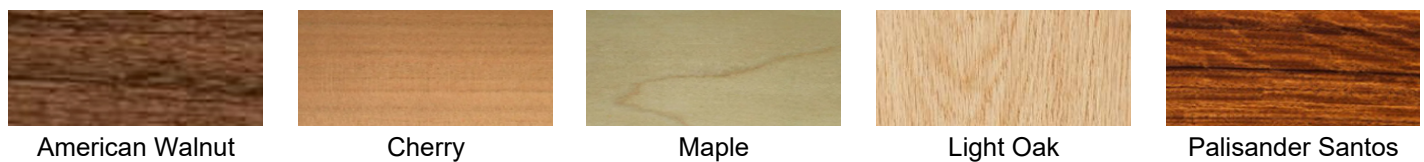


■ Custom Colors



Any RAL color available, please refer to ralcolorchart.com

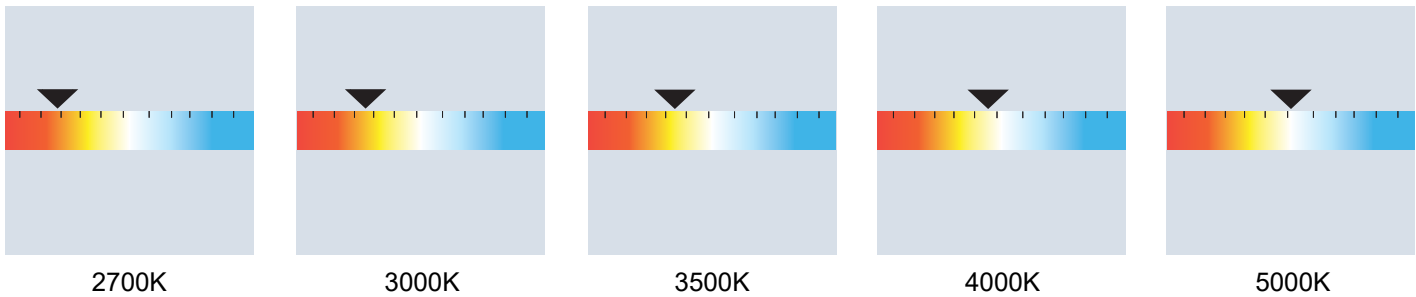
■ Custom Wooden Colors



Project:	Type:
	Comments:

Color Temperature

Color Temperature



Tunable White

