

Project:	Type:
	Comments:



### Highlights

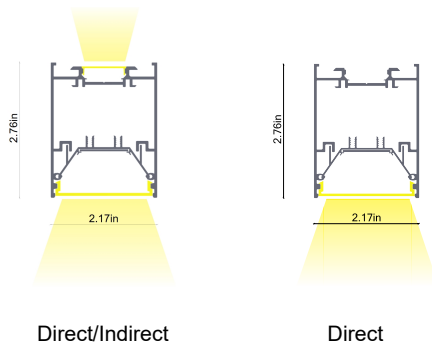
BX-2 series is specification grade, architectural linear fixture, with virtually unlimited possibilities to create patterns, continuous runs and shapes. Offered in pendant, surface or wall mounted versions. Wide ranging customization options, from custom lumen packages, sizes and finishes. Great and simple lighting solution for all modern interiors.

**LED:** Samsung LED chips, 2700-5000K, tunable white and RGB/W available, 90CRI

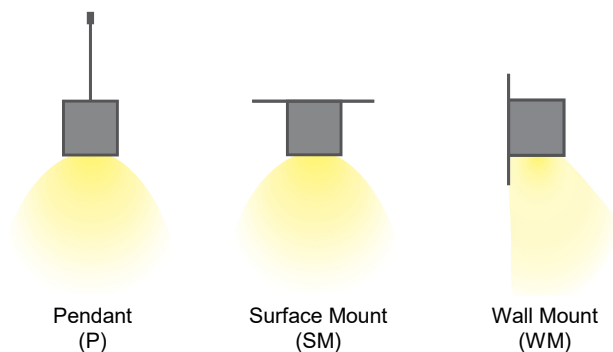
**Optical:** Direct & direct/indirect illumination, 110° beam angle

**Construction:** High grade aluminum extrusion, die cast end caps, PMMA diffuser, integral driver, powder coat finish, X, T, L Lit corners available for smooth, seamless patterns, damp location listed.

### Cross Section



### Installation



Project:	Type:
	Comments:

### Configuration Example

Model #	Distribution	Length	Lumen Output	Color Temp.	Voltage	Color
TECHOLED-BX-2-D-2-LO-27-U-W	Direct	2'	Low	2700K	110-277V	White

### Ordering Guide:

Select one option from each group below. For a custom preference please contact [sales@techoled.com](mailto:sales@techoled.com)

1-FIXTURE ID		2-DISTRIBUTION		3-LENGTH		4-LUMEN OUTPUT	
<b>BX-2</b>	BX-2	<b>D</b>	Direct	<b>2</b>	2'	<b>LO</b>	Low
		<b>DI</b>	Direct/Indirect	<b>4</b>	4'	<b>ME</b>	Medium
		<b>DI2</b>	D/I2-circuit	<b>6</b>	6'	<b>HI</b>	High
		<b>DWW</b>	Direct, Wall Wash	<b>8</b>	8'		
		<b>BW</b>	Bat Wing	<b>C</b>	Custom		

5-COLOR TEMP.		6-VOLTAGE		7-FINISH		8-MOUNTING	
<b>27</b>	2700K	<b>U</b>	110-277V	<b>S</b>	Silver	<b>P</b>	Pendant
<b>30</b>	3000K	<b>HV</b>	347V	<b>W</b>	White	<b>SM</b>	Surface Mount
<b>35</b>	3500K			<b>B</b>	Black	<b>W</b>	Wall Mount
<b>40</b>	4000K			<b>C</b>	Custom (RAL#)		
<b>50</b>	5000K						
<b>DT</b>	Lutron T-series						
<b>RGB</b>	RGB						
<b>RGBW</b>	RGBW						
<b>D</b>	Tunable White						

9-DRIVER OPTIONS		10-OPTIONS		11-OPTIONS (CONT.)	
<b>DM</b>	0-10V Dimming	<b>RF-D</b>	Remote Tunable (RF only)	<b>EM</b>	EM Battery (remote)
<b>2C</b>	2 Channel	<b>RF-R</b>	Remote RGB/W (RF only)	<b>X</b>	None
<b>DM1%</b>	1% Dimming	<b>M</b>	Motion Sensor (remote)		
<b>LT1</b>	LDE1 Lutron 1%	<b>BM</b>	BubblyNet BT Mesh		
<b>DA</b>	Dali	<b>CS</b>	Casambi		
<b>DMX</b>	DMX	<b>AWNR</b>	Lutron Athena Node		
<b>TR</b>	Triac Dimming	<b>AWNS</b>	Lutron Athena Node sensor		
<b>RF</b>	RF Wireless	<b>NL-ES7</b>	nLight - Wired		
<b>X</b>	None	<b>NL-AIR</b>	nLight - AIR		
		<b>NL-M</b>	nLight - Module only		
		<b>X</b>	None		

Project:	Type:
	Comments:

### Lumen Output Details

Model #	Size	Output	Color Temp.	Wattage	Lumen Output
TECHOLED-BX-2-D-2-ME-30	2'	Medium	3000K	15W	1840Lm
TECHOLED-BX-2-D-2-HI-30	2'	High	3000K	20W	2520Lm
TECHOLED-BX-2-D-4-LO-30	4'	Low	3000K	23W	2880Lm
TECHOLED-BX-2-D-4-ME-30	4'	Medium	3000K	29W	3680Lm
TECHOLED-BX-2-D-4-HI-30	4'	High	3000K	40W	5040Lm
TECHOLED-BX-2-D-6-LO-30	6'	Low	3000K	34W	4320Lm
TECHOLED-BX-2-D-6-ME-30	6'	Medium	3000K	44W	5520Lm
TECHOLED-BX-2-D-6-HI-30	6'	High	3000K	60W	7560Lm
TECHOLED-BX-2-D-8-LO-30	8'	Low	3000K	46W	5760Lm
TECHOLED-BX-2-D-8-ME-30	8'	Medium	3000K	59W	7360Lm
TECHOLED-BX-2-D-8-HI-30	8'	High	3000K	80W	10080Lm

Performance above applies to 90 CRI, 3000K. Calculate 96% for 2700K, 104% for 3500K and 109% for 4000K

Model #	Size	Output	Color Temp.	Wattage	Down Lumen Out.	Up Lumen Out.
TECHOLED-BX-2-DI-2-ME-30	2'	Medium	3000K	17W	1435Lm	843Lm
TECHOLED-BX-2-DI-2-HI-30	2'	High	3000K	22W	1857Lm	1091Lm
TECHOLED-BX-2-DI-4-LO-30	4'	Low	3000K	23W	1942Lm	1140Lm
TECHOLED-BX-2-DI-4-ME-30	4'	Medium	3000K	34W	2870Lm	1686Lm
TECHOLED-BX-2-DI-4-HI-30	4'	High	3000K	44W	3714Lm	2182Lm
TECHOLED-BX-2-DI-6-LO-30	6'	Low	3000K	34W	2912Lm	1711Lm
TECHOLED-BX-2-DI-6-ME-30	6'	Medium	3000K	51W	4305Lm	2529Lm
TECHOLED-BX-2-DI-6-HI-30	6'	High	3000K	65W	5572Lm	3272Lm
TECHOLED-BX-2-DI-8-LO-30	8'	Low	3000K	46W	3883Lm	2281Lm
TECHOLED-BX-2-DI-8-ME-30	8'	Medium	3000K	68W	5741Lm	3371Lm
TECHOLED-BX-2-DI-8-HI-30	8'	High	3000K	88W	7429Lm	4363Lm

Performance above applies to 90 CRI, 3000K. Calculate 96% for 2700K, 104% for 3500K and 109% for 4000K

### ■ Performance

Output Direct	Direct		
	Lumens / W	W / ft	Lumens / ft
Low	126	5.7	720
Medium	126	7.3	920
High	126	10	1260

Project:	Type:
	Comments:

Output DI/IN	Direct			Indirect		
	Lumens / W	W / ft	Lumens / ft	Lumens / W	W / ft	Lumens / ft
Low	134	3.5	485	134	2.2	285
Medium	134	5.2	718	134	3.3	421
High	134	6.8	929	134	4.2	545

### Driver Option Details

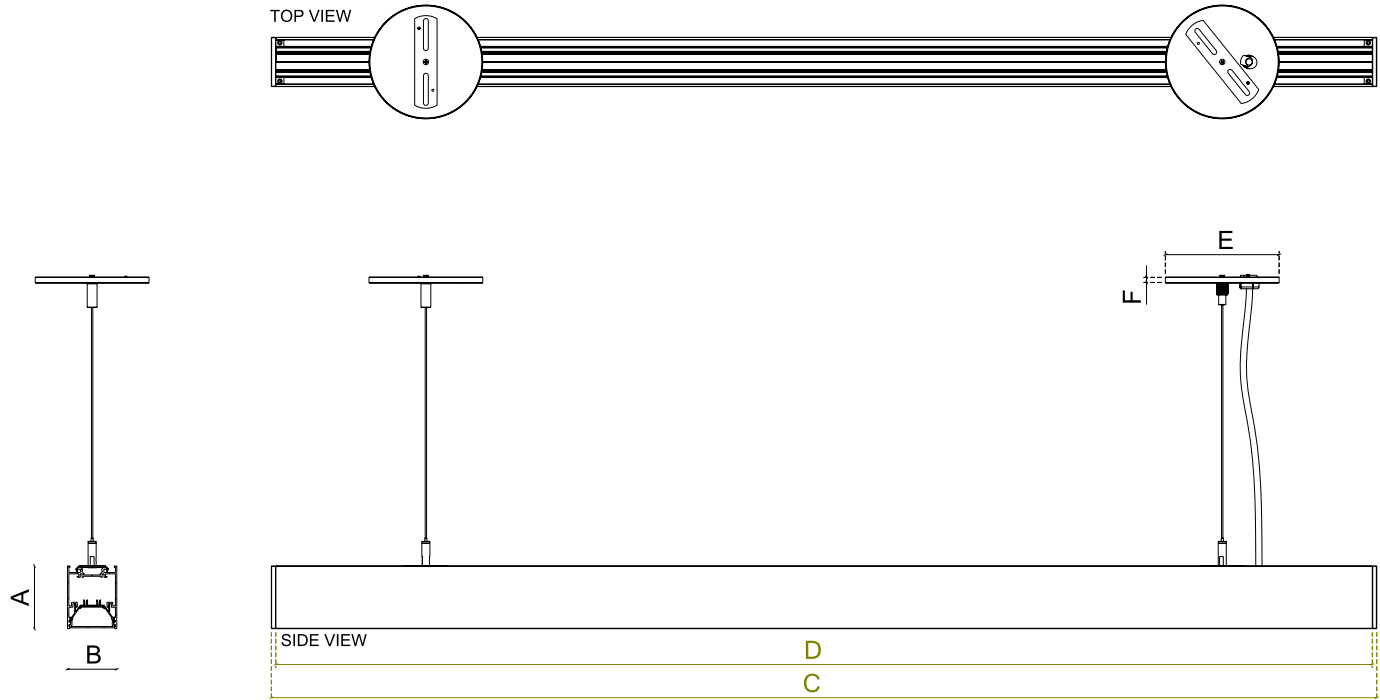
Code	Description
LT1	<b>LDE1</b> -Lutron Hi-lume 1% EcoSystem, Soft-on, Fade-to Black Dimming
DA	<b>DALI</b>
DMX	<b>DMX</b> - Decoder provided by TechoLED, controller by others

### Controls Details

Code	Description
RF-D	<b>RF Wireless</b> remote controller for tunable white. <b>Default for tunable white.</b>
RF-R	<b>RF Wireless</b> remote controller for RGB & RGBW. <b>Default for RGB &amp; RGBW.</b>
M	<b>Motion Sensor</b> - remote, for integral sensor consult factory
BM	<b>Bluetooth Mesh</b> Smart Wireless Control by BubblyNet
CS	<b>Bluetooth Mesh</b> Smart Wireless Control by Casambi
AWNR	<b>Lutron Athena</b> wireless node
AWNS	<b>Lutron Athena</b> wireless node with sensor
NL-ES7	<b>Acuity nLight</b> – Wired nES7 sensor
NL-AIR	<b>Acuity nLight</b> – AIR wireless rES7 sensor
NL-M	<b>Acuity nLight</b> - ready, sensor by others

Project:	Type:
Comments:	

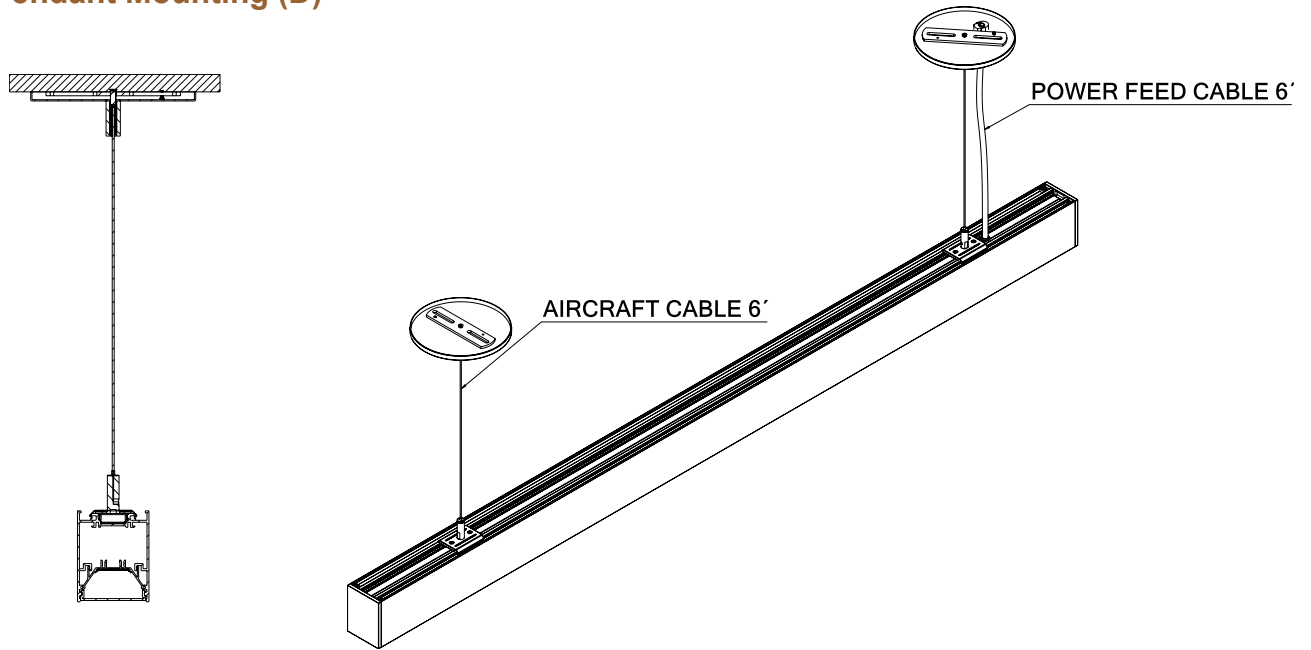
### Dimension and Mounting - Direct Distribution (D)



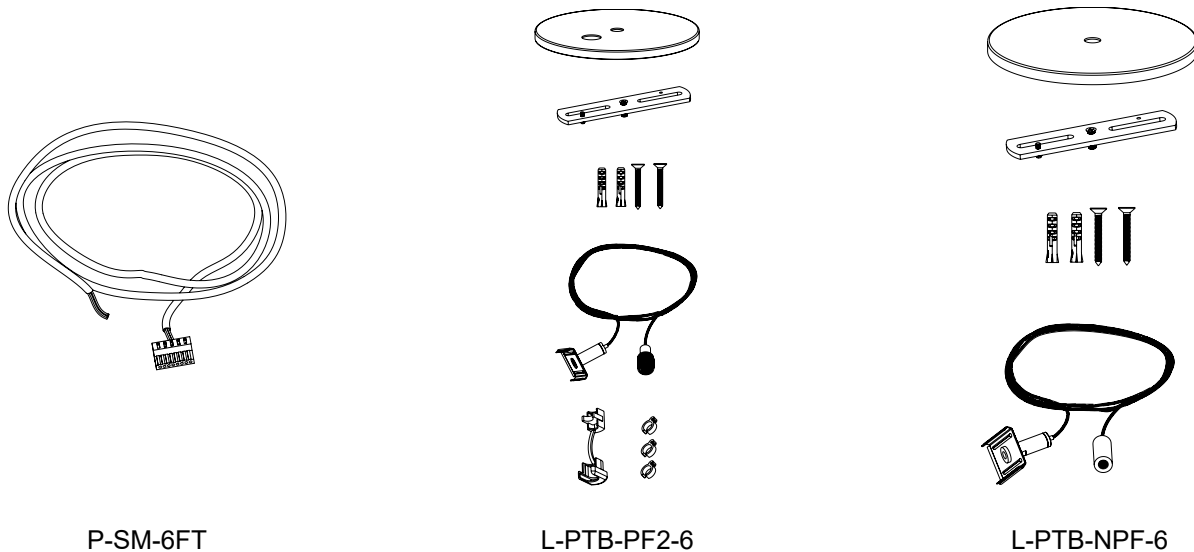
FIXTURE ID	A	B	C	D	E	F
BX-2-D-2	2.76"	2.17"	24.57"	24.17"	5"	0.28"
BX-2-D-4	2.76"	2.17"	48.58"	48.19"	5"	0.28"
BX-2-D-6	2.76"	2.17"	72.56"	72.17"	5"	0.28"
BX-2-D-8	2.76"	2.17"	96.57"	96.18"	5"	0.28"

Project:	Type:
Comments:	

### ■ Pendant Mounting (D)



### ■ Pendant Kit



P-SM-6FT

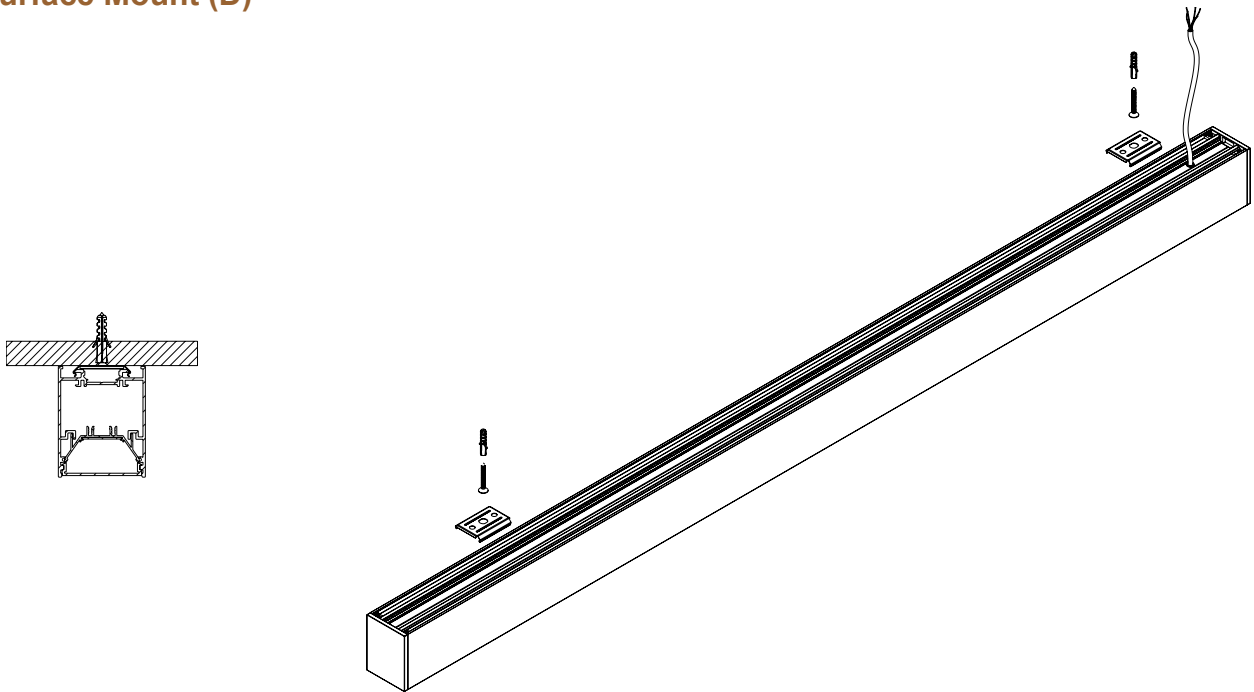
L-PTB-PF2-6

L-PTB-NPF-6

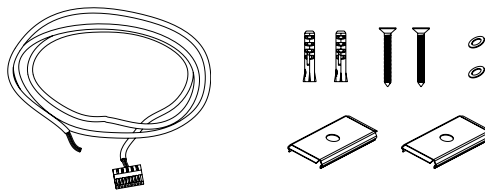
P-SM-6FT	Power feed cable (6')
L-PTB-PF2-6	Pendant wire + canopy with cut-out for power cable
L-PTB-NPF-6	Pendant wire + canopy

Project:	Type:
	Comments:

### ■ Surface Mount (D)



### ■ Surface Mount Kit



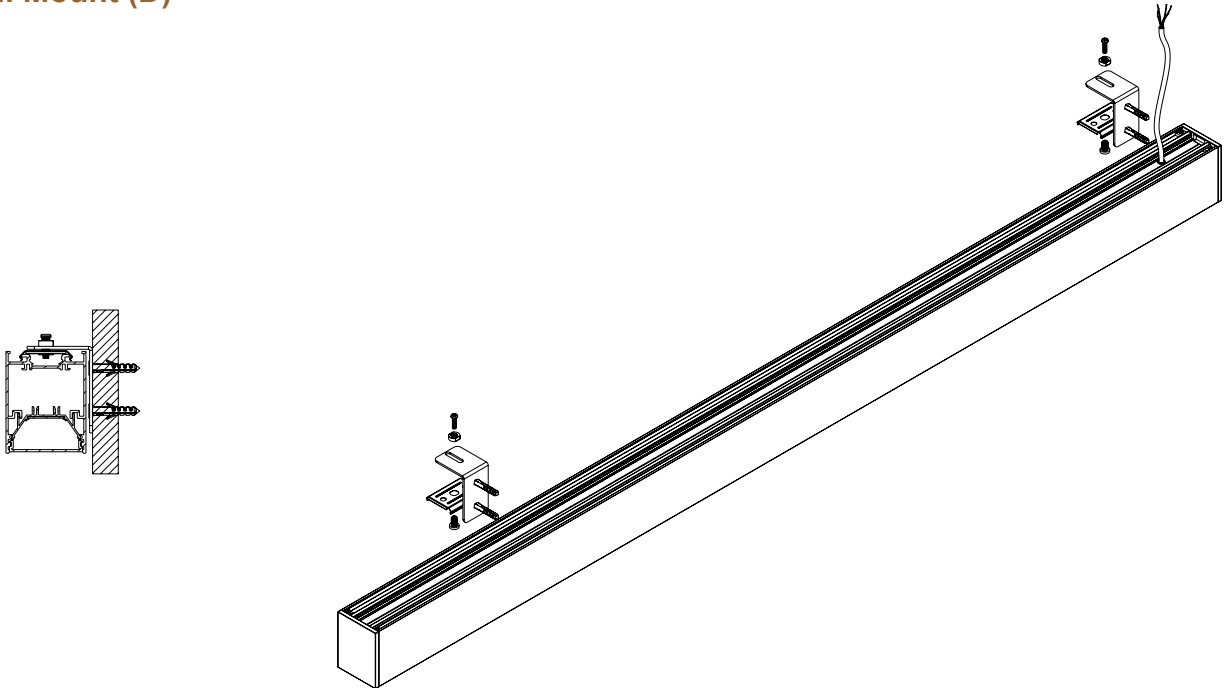
P-SM-6FT

L-SM-CL

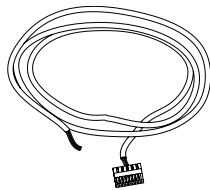
P-SM-6FT	Power feed cable (6')
L-SM-CL	Surface mount kit

Project:	Type:
	Comments:

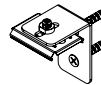
### ■ Wall Mount (D)



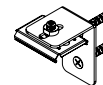
### ■ Wall Mount Kit



P-SM-6FT



L457-WM

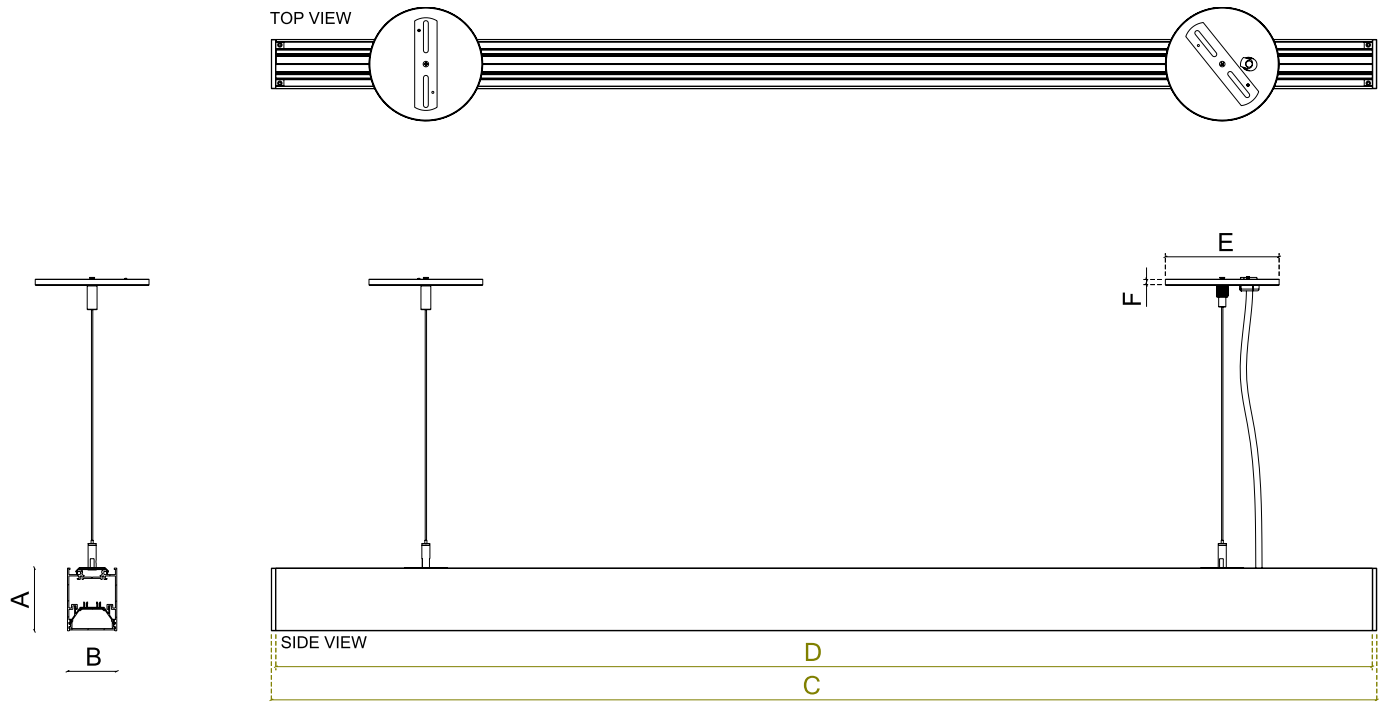


L457-WM

P-SM-6FT	Power feed cable (6')
L457-WM	Wall mount kit

Project:	Type:
	Comments:

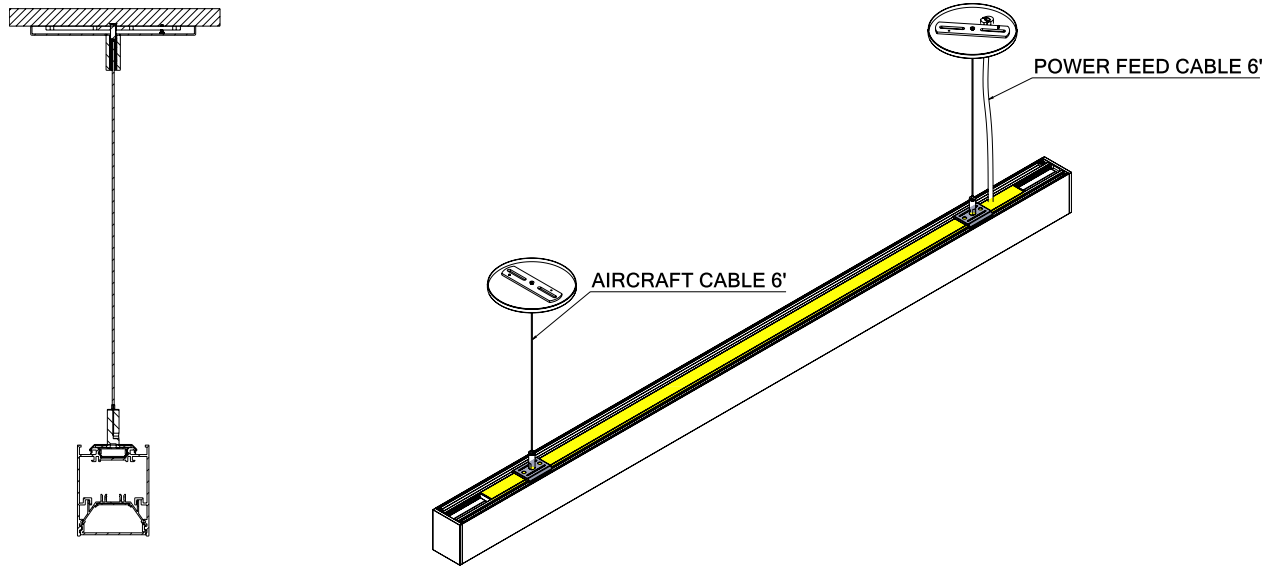
### □ Dimension and Mounting - Direct/Indirect Distribution (DI)



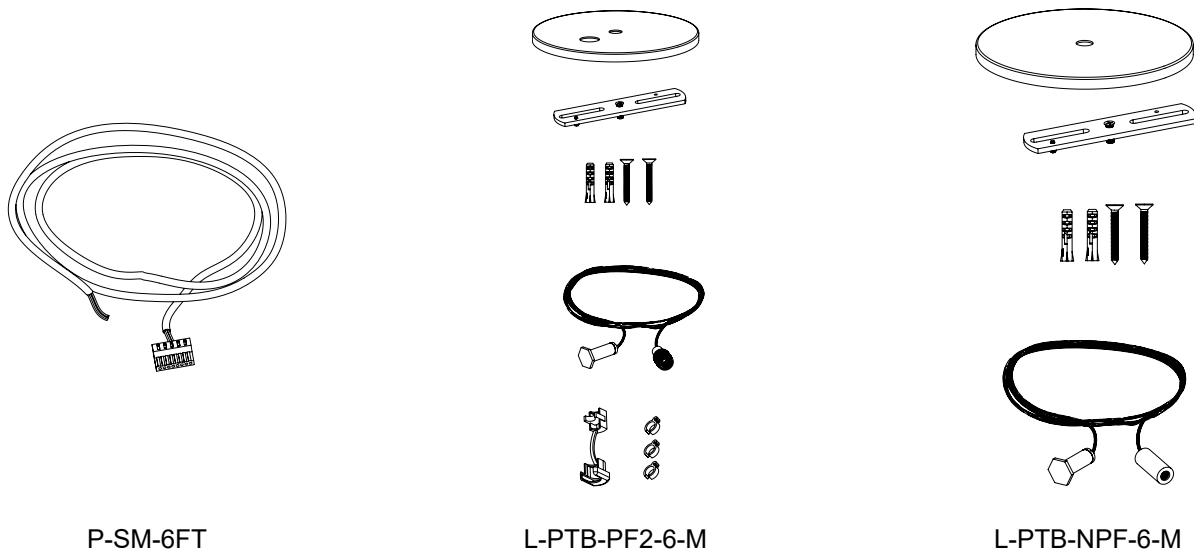
FIXTURE ID	A	B	C	D	E	F
BX-2-DI-2	2.76"	2.17"	24.57"	24.17"	5"	0.28"
BX-2-DI-4	2.76"	2.17"	48.58"	48.19"	5"	0.28"
BX-2-DI-6	2.76"	2.17"	72.56"	72.17"	5"	0.28"
BX-2-DI-8	2.76"	2.17"	96.57"	96.18"	5"	0.28"

Project:	Type:
	Comments:

■ **Pendant (DI)**



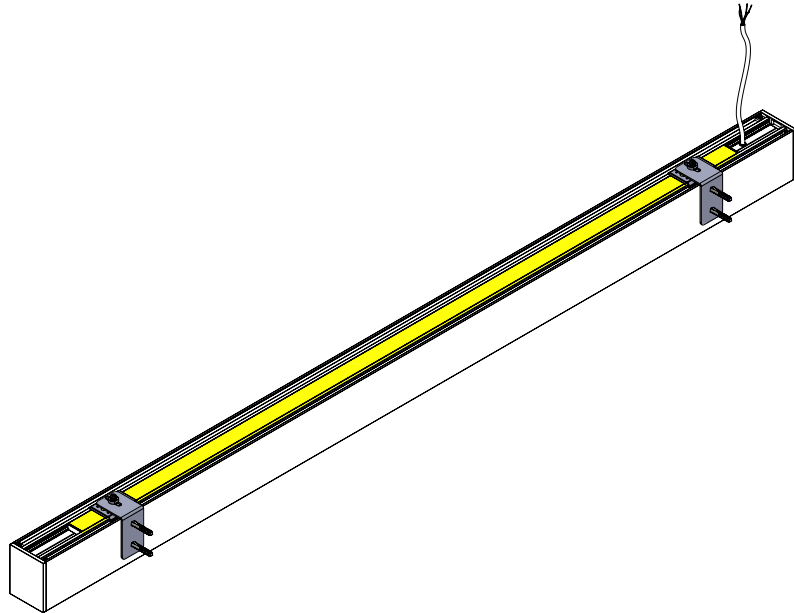
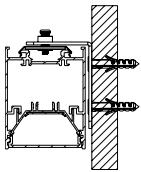
■ **Pendant Kit**



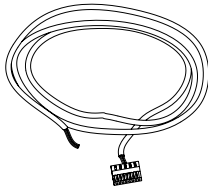
P-SM-6FT	Power feed cable (6')
L-PTB-PF2-6-M	Pendant wire + canopy with cut-out for power cable
L-PTB-NPF-6-M	Pendant wire + canopy

Project:	Type:
	Comments:

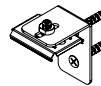
### ■ Wall Mount (DI)



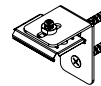
### ■ Wall Mount Kit



P-SM-6FT



L457-WM

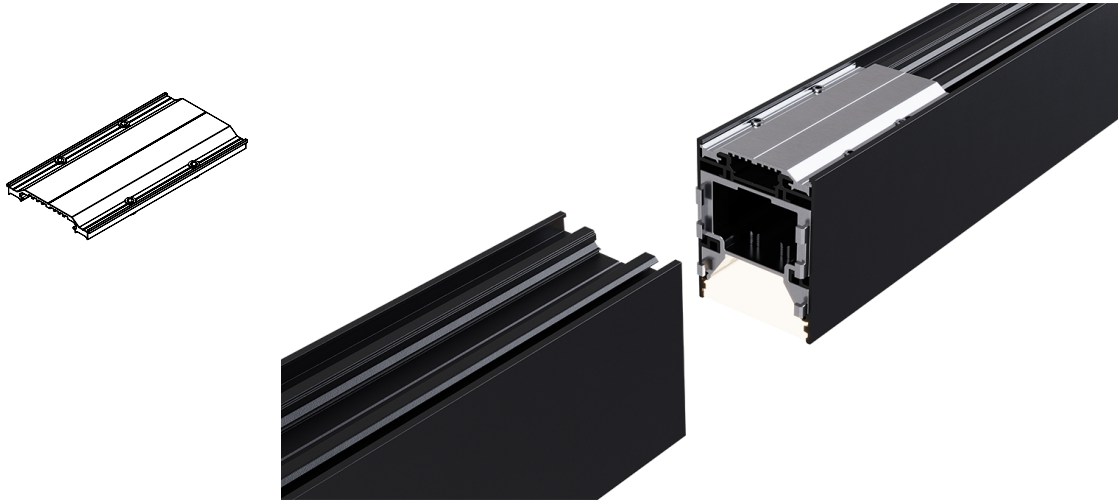


L457-WM

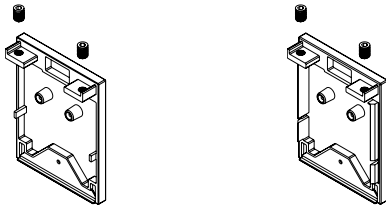
P-SM-6FT	Power feed cable (6')
L457-WM	Wall mount kit

Project:	Type:
	Comments:

### Connectors

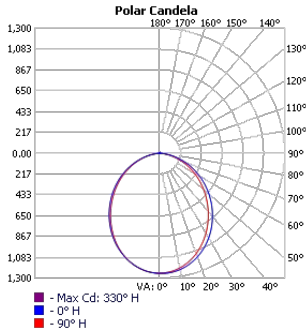


### End Caps

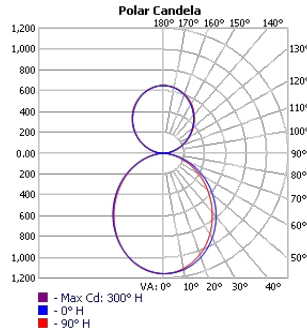


Project:	Type:
	Comments:

### Connectors



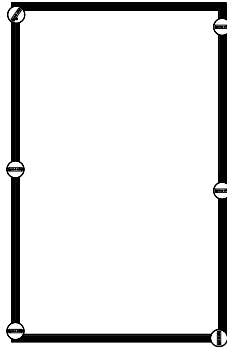
Direct



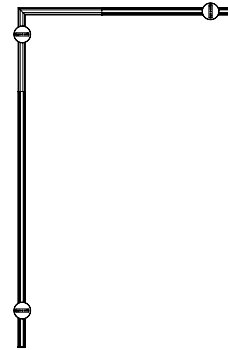
Indirect

Project:	Type:
	Comments:

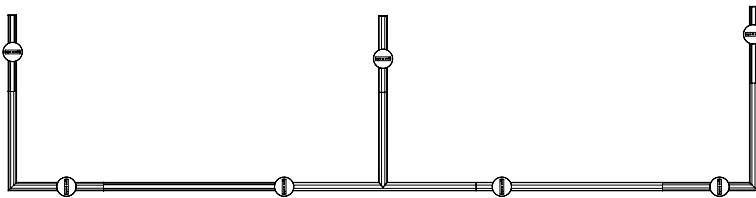
### Patterns Option Examples



Rectangle



L-Shape

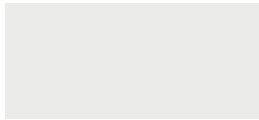


Custom

### Finish Details (powder coat finish)

Project:	Type:
	Comments:

### ■ Standard Colors



W – White



S – Silver



B – Black

### ■ Custom Colors



RAL 1003



RAL 2004



RAL 3000



RAL 4001



RAL 5002



RAL 6000



RAL 6038



RAL 7001



RAL 1036



RAL 8029

Any RAL color available, please refer to [ralcolorchart.com](http://ralcolorchart.com)

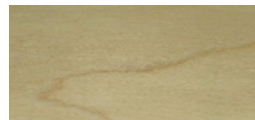
### ■ Custom Wooden Colors



American Walnut



Cherry



Maple



Light Oak

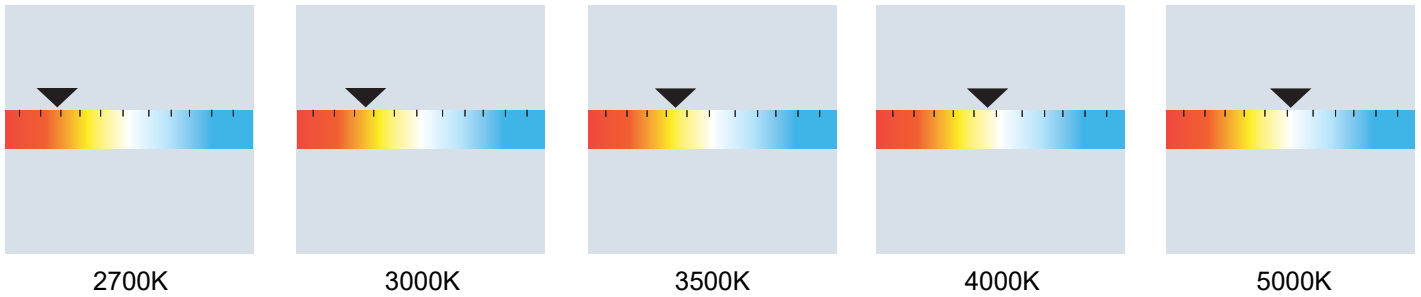


Palisander Santos

Project:	Type:
	Comments:

### Color Temperature

#### Color Temperature



#### Tunable White

