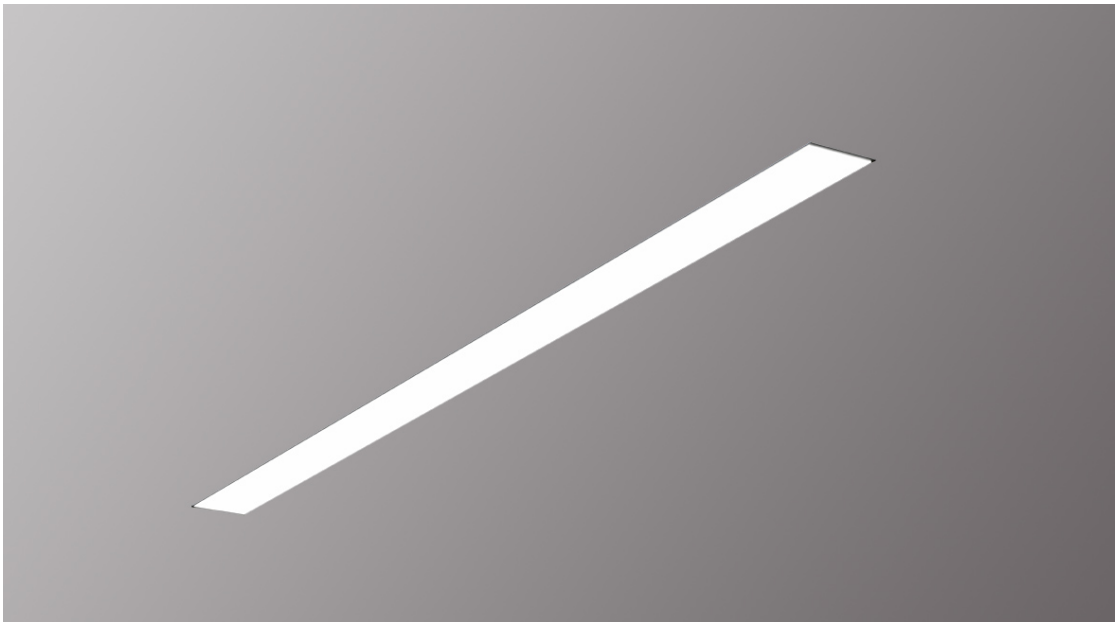


Project:	Type:
	Comments:



Highlights

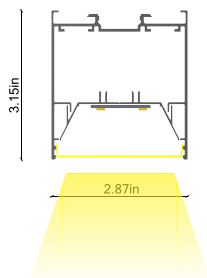
The TechoLED BX series features specification-grade linear LED fixtures made from high-grade aluminum extrusions. Available in standard sizes from 2 to 8 feet, as well as custom lengths, recessed installation in variety of ceiling and materials. With virtually limitless options for creating patterns and shapes, the BX series provides a versatile, cost-effective, and modern lighting solution.

LED: Samsung LED chips, 2700-5000K, tunable white and RGB/RGBW available, 90CRI, 50,000 hour rated lifespan. Custom lumen packages available.

Optical: Direct illumination, multiple beam angles available (110° beam angle on solid lens), UGR<19

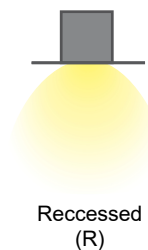
Construction: Damp location listed, high grade aluminum extrusion, die cast end caps, PMMA diffuser, powder coat finish. X, T, L lit corners, wall to ceiling transitions, for smooth seamless patterns, Chicago Plenum optional.

Cross Section



Direct

Installation



Recessed (R)

Project:	Type:
	Comments:

Configuration Example

Model #	Distribution	Length	Lumen Output	Color Temp.	Voltage	Color
TECHOLED-BX-3-R-D-4-LO-27-U-W	Direct	4'	Low	2700K	110-277V	White

Ordering Guide:

Select one option from each group below. For a custom preference please contact sales@techoled.com

1-FIXTURE ID	2-DISTRIBUTION	3-LENGTH	4-LUMEN OUTPUT
BX-3-R BX-3-R	D Direct	2 2'	LO Low
	DWW Direct, Wall Wash	4 4'	ME Medium
	BW Bat Wing	6 6'	HI High
		8 8'	
		C Custom	

5-COLOR TEMP.	6-VOLTAGE	7-FINISH	8-MOUNTING
27 2700K	U 110-277V	S Silver	RP Recessed (mud-in)
30 3000K	HV 347V	W White	RW Wood
35 3500K		B Black	TG T Grid Universal
40 4000K		C Custom (RAL#)	
50 5000K			
DT Lutron T-series			
RGB RGB			
RGBW RGBW			
D Tunable White			

9-DRIVER OPTIONS	10-OPTIONS	11-OPTIONS (CONT.)
DM 0-10V Dimming	RF-D Remote Tunable (RF only)	EM EM Battery (remote)
2C 2 Channel	RF-R Remote RGB/W (RF only)	X None
DM1% 1% Dimming	M Motion Sensor (remote)	
LT1 LDE1 Lutron 1%	BM BubblyNet BT Mesh	
DA Dali	CS Casambi	
DMX DMX	AWN Lutron Athena Node	
TR Triac Dimming	AWNS Lutron Athena Node sensor	
RF RF Wireless	NL-ES7 nLight - Wired	
X None	NL-AIR nLight - AIR	
	NL-M nLight - Module only	
	CP Chicago Plenum	
	X None	

Project:	Type:
	Comments:

Lumen Output Details

Model #	Size	Output	Color Temp.	Wattage	Lumen Output
TECHOLED-BX-3-R-D-2-ME-30	2'	Medium	3000K	16W	2100Lm
TECHOLED-BX-3-R-D-2-HI-30	2'	High	3000K	22W	2900Lm
TECHOLED-BX-3-R-D-4-LO-30	4'	Low	3000K	23W	3040Lm
TECHOLED-BX-3-R-D-4-ME-30	4'	Medium	3000K	32W	4200Lm
TECHOLED-BX-3-R-D-4-HI-30	4'	High	3000K	44W	5800Lm
TECHOLED-BX-3-R-D-6-LO-30	6'	Low	3000K	34W	4560Lm
TECHOLED-BX-3-R-D-6-ME-30	6'	Medium	3000K	48W	6300Lm
TECHOLED-BX-3-R-D-6-HI-30	6'	High	3000K	66W	8700Lm
TECHOLED-BX-3-R-D-8-LO-30	8'	Low	3000K	46W	6080Lm
TECHOLED-BX-3-R-D-8-ME-30	8'	Medium	3000K	64W	8400Lm
TECHOLED-BX-3-R-D-8-HI-30	8'	High	3000K	89W	11600Lm

Performance above applies to 90 CRI, 3000K. Calculate 96% for 2700K, 104% for 3500K and 109% for 4000K

Performance

Output	Lumens / W	Direct	
		W / ft	Lumens / ft
Low	131	5.8	760
Medium	131	8.0	1050
High	131	11.1	1450

Project:	Type:
	Comments:

Driver Option Details

Code	Description
LT1	LDE1 -Lutron Hi-lume 1% EcoSystem, Soft-on, Fade-to Black Dimming
DA	DALI
DMX	DMX - Decoder provided by TechoLED, controller by others

Controls Details

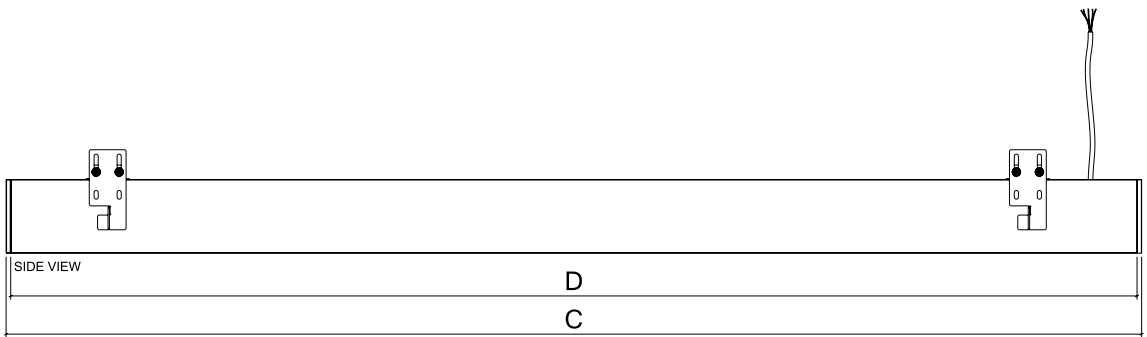
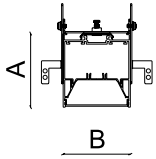
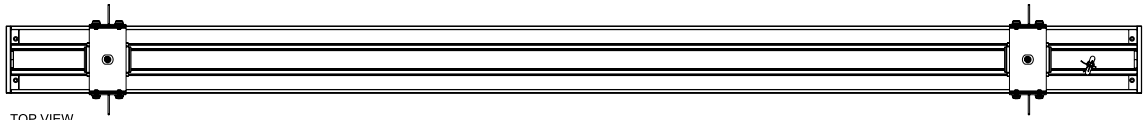
Code	Description
RF-D	RF Wireless remote controller for tunable white. Default for tunable white.
RF-R	RF Wireless remote controller for RGB & RGBW. Default for RGB & RGBW.
M	Motion Sensor - remote, for integral sensor consult factory
BM	Bluetooth Mesh Smart Wireless Control by BubblyNet
CS	Bluetooth Mesh Smart Wireless Control by Casambi
AWNR	Lutron Athena wireless node
AWNS	Lutron Athena wireless node with sensor
NL-ES7	Acuity nLight – Wired nES7 sensor
NL-AIR	Acuity nLight – AIR wireless rES7 sensor
NL-M	Acuity nLight - ready, sensor by others

Options (cont.) Details

Code	Description
EM	Emergency Battery Backup (remote)

Project:	Type:
	Comments:

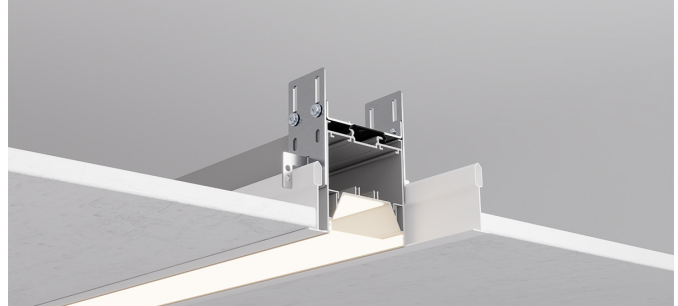
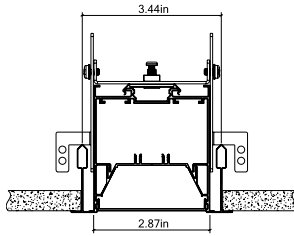
Dimension and Mounting - Direct Distribution (D)



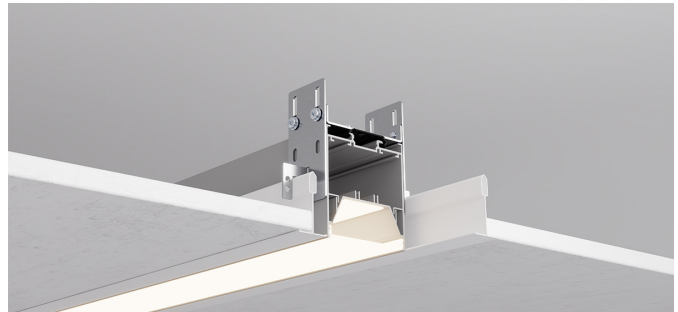
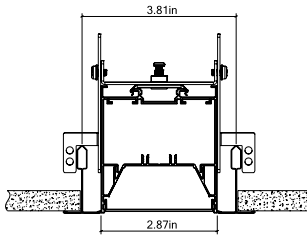
FIXTURE ID	A	B	C	D
BX-3-R-D-2	3.15"	2.87"	24.06"	23.66"
BX-3-R-D-4	3.15"	2.87"	47.52"	47.13"
BX-3-R-D-6	3.15"	2.87"	71.52"	71.13"
BX-3-R-D-8	3.15"	2.87"	95.52"	95.13"

Project:	Type:
	Comments:

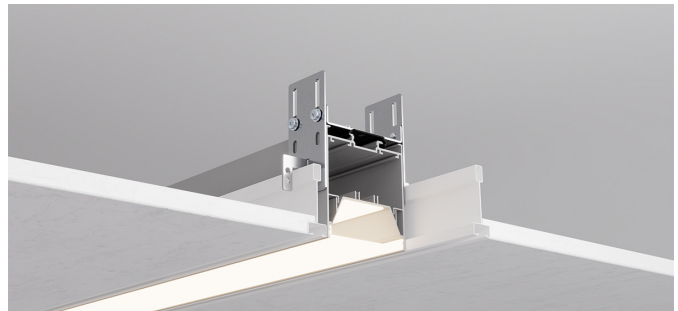
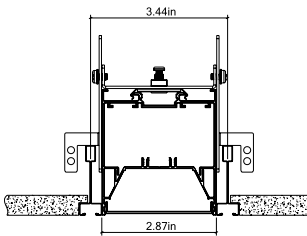
■ **Recessed - T Grid 9/16" (universal bracket)**



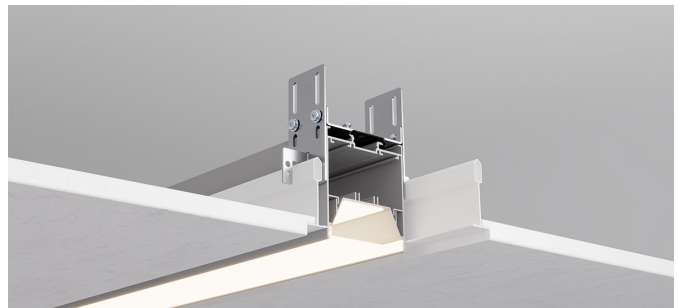
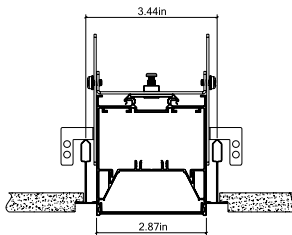
■ **Recessed - T Grid 15/16" (universal bracket)**



■ **Recessed - Slot Grid (universal bracket)**

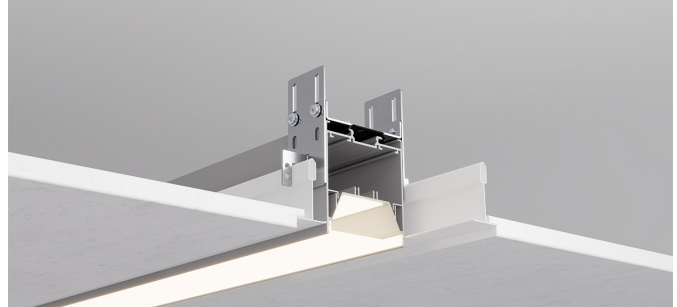
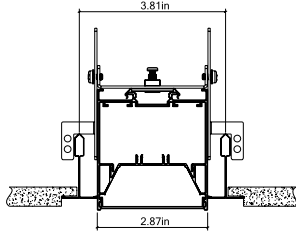


■ **Recessed - Tegular Grid 9/16" (universal bracket)**

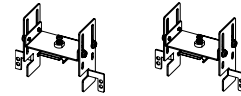
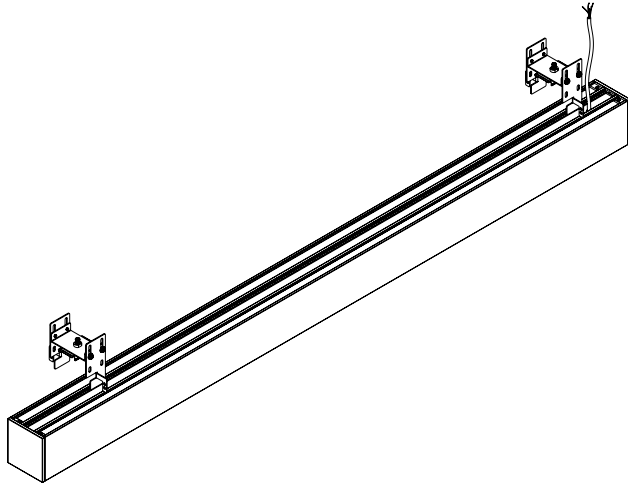


Project:	Type:
	Comments:

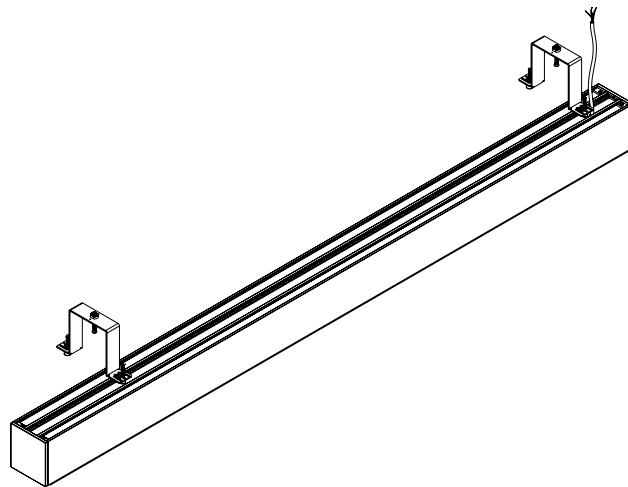
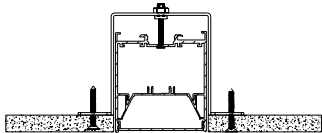
■ **Recessed - Tegular Grid 15/16" (universal bracket)**



□ **Recessed Mounting**

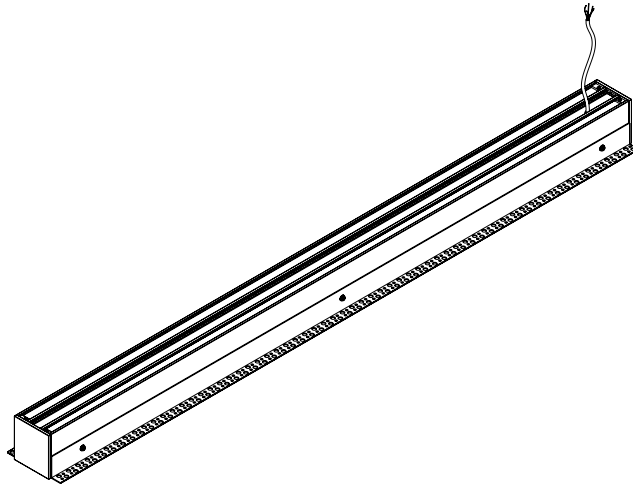
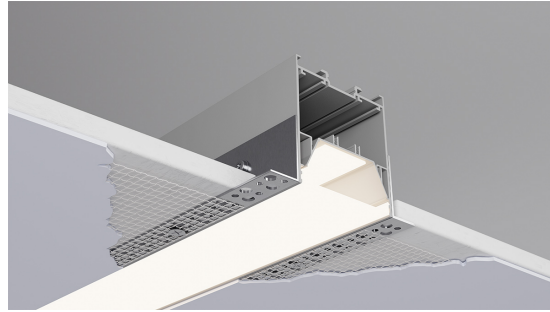
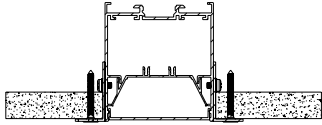


□ **RW - Wood**

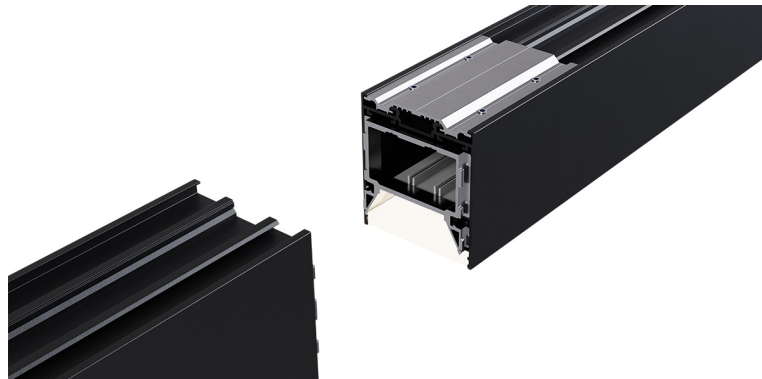
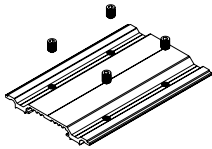


Project:	Type:
	Comments:

Recessed (mud-in)

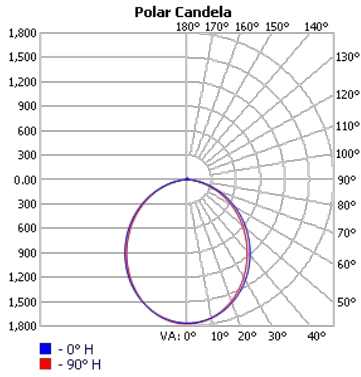


Connectors



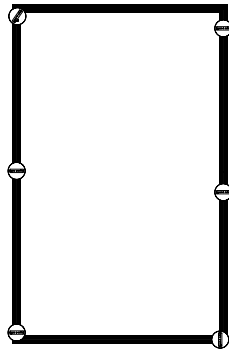
Project:	Type:
	Comments:

Photometrics

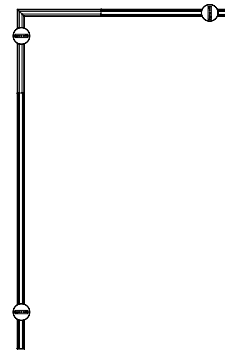


Direct

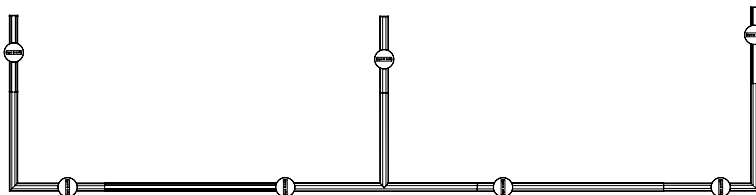
Patterns Option Examples



Rectangle



L-Shape



Custom

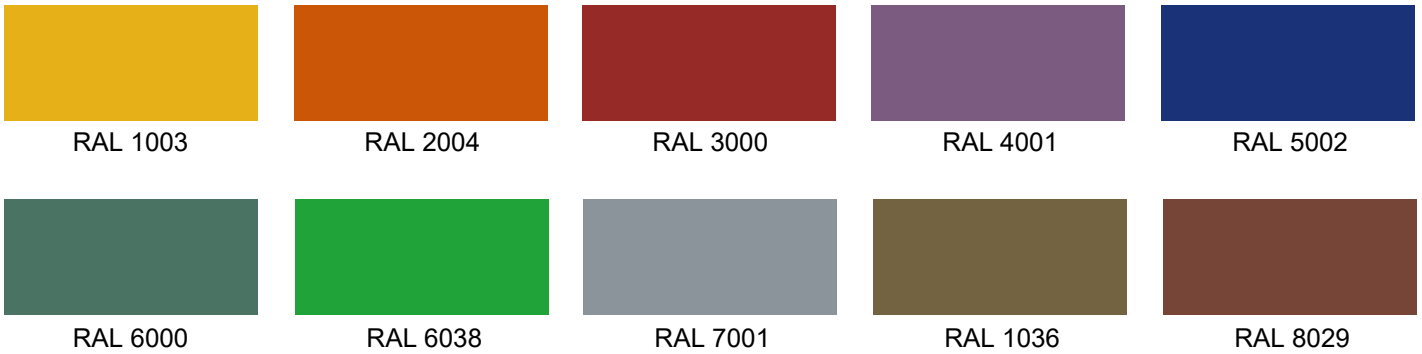
Project:	Type:
	Comments:

Finish Details (powder coat finish)

■ Standard Colors

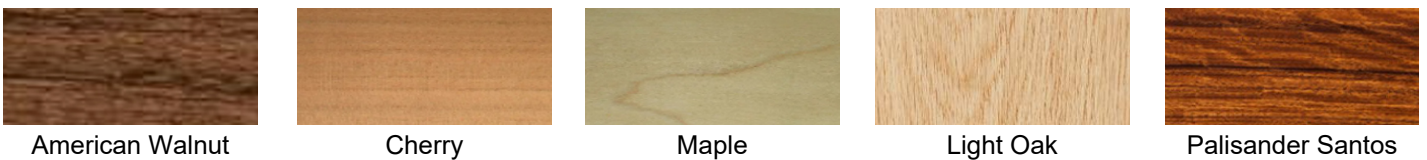


■ Custom Colors



Any RAL color available, please refer to ralcolorchart.com

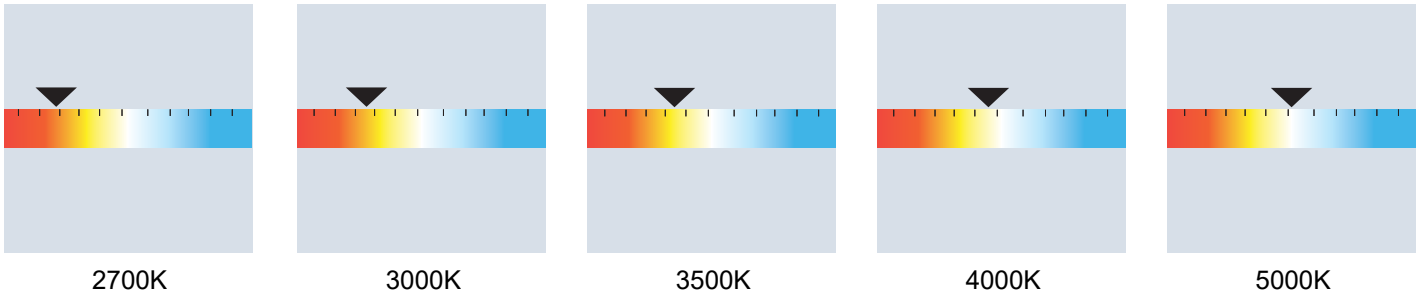
■ Custom Wooden Colors



Project:	Type:
	Comments:

Color Temperature

■ Color Temperature



■ Tunable White

