

Project:	Type:
	Comments:



### Highlights

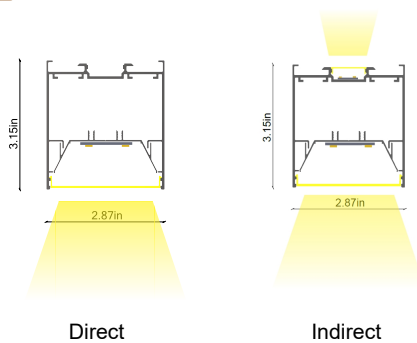
The TechoLED BX series features specification-grade linear LED fixtures made from high-grade aluminum extrusions. Available in standard sizes from 2 to 8 feet, as well as custom lengths, these fixtures can be pendant, surface, or wall-mounted. With virtually limitless options for creating patterns and shapes, the BX series provides a versatile, cost-effective, and modern lighting solution.

**LED:** Samsung LED chips, 2700-5000K, tunable white and RGB/RGBW available, 90CRI, 50,000 hour rated lifespan. Custom lumen packages available.

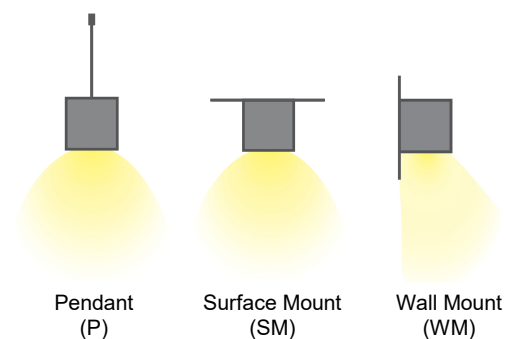
**Optical:** Direct and direct/indirect illumination, 110° beam angle, UGR<19

**Construction:** Damp location listed, high grade aluminum extrusion, die cast end caps, PMMA diffuser, powder coat finish. X, T, L lit corners, wall to ceiling transitions, for smooth seamless patterns.

### Cross Section



### Installation



Project:	Type:
	Comments:

### Configuration Example

Model #	Distribution	Length	Lumen Output	Color Temp.	Voltage	Color
TECHOLED-BX-3-D-4-LO-27-U-W	Direct	4'	Low	2700K	110-277V	White

### Ordering Guide:

Select one option from each group below. For a custom preference please contact [sales@techoled.com](mailto:sales@techoled.com)

1-FIXTURE ID		2-DISTRIBUTION		3-LENGTH		4-LUMEN OUTPUT	
<b>BX-3</b>	BX-3	<b>D</b>	Direct	<b>2</b>	2'	<b>LO</b>	Low
		<b>DI</b>	Direct/Indirect	<b>4</b>	4'	<b>ME</b>	Medium
		<b>DI2</b>	D/12-circuit	<b>6</b>	6'	<b>HI</b>	High
		<b>DWW</b>	Direct, Wall Wash	<b>8</b>	8'		
		<b>BW</b>	Bat Wing	<b>C</b>	Custom		

5-COLOR TEMP.		6-VOLTAGE		7-FINISH		8-MOUNTING	
<b>27</b>	2700K	<b>U</b>	110-277V	<b>S</b>	Silver	<b>P</b>	Pendant
<b>30</b>	3000K	<b>HV</b>	347V	<b>W</b>	White	<b>W</b>	Wall Mount
<b>35</b>	3500K			<b>B</b>	Black	<b>SM</b>	Surface Mount
<b>40</b>	4000K			<b>C</b>	Custom (RAL#)		
<b>50</b>	5000K						
<b>DT</b>	Lutron T-series						
<b>RGB</b>	RGB						
<b>RGBW</b>	RGBW						
<b>D</b>	Tunable White						

9-DRIVER OPTIONS		10-OPTIONS		11-OPTIONS (CONT.)	
<b>DM</b>	0-10V Dimming	<b>RF-D</b>	Remote Tunable (RF only)	<b>EM</b>	EM Battery (remote)
<b>2C</b>	2 Channel	<b>RF-R</b>	Remote RGB/W (RF only)	<b>X</b>	None
<b>DM1%</b>	1% Dimming	<b>M</b>	Motion Sensor (remote)		
<b>LT1</b>	LDE1 Lutron 1%	<b>BM</b>	BubblyNet BT Mesh		
<b>DA</b>	Dali	<b>CS</b>	Casambi		
<b>DMX</b>	DMX	<b>AWNR</b>	Lutron Athena Node		
<b>TR</b>	Triac Dimming	<b>AWNS</b>	Lutron Athena Node sensor		
<b>RF</b>	RF Wireless	<b>NL-ES7</b>	nLight - Wired		
<b>X</b>	None	<b>NL-AIR</b>	nLight - AIR		
		<b>NL-M</b>	nLight - Module only		
		<b>X</b>	None		

Project:	Type:
	Comments:

### Lumen Output Details

Model #	Size	Output	Color Temp.	Wattage	Lumen Output
TECHOLED-BX-3-D-2-ME-30	2'	Medium	3000K	16W	2100Lm
TECHOLED-BX-3-D-2-HI-30	2'	High	3000K	22W	2900Lm
TECHOLED-BX-3-D-4-LO-30	4'	Low	3000K	23W	3040Lm
TECHOLED-BX-3-D-4-ME-30	4'	Medium	3000K	32W	4200Lm
TECHOLED-BX-3-D-4-HI-30	4'	High	3000K	44W	5800Lm
TECHOLED-BX-3-D-6-LO-30	6'	Low	3000K	34W	4560Lm
TECHOLED-BX-3-D-6-ME-30	6'	Medium	3000K	48W	6300Lm
TECHOLED-BX-3-D-6-HI-30	6'	High	3000K	66W	8700Lm
TECHOLED-BX-3-D-8-LO-30	8'	Low	3000K	46W	6080Lm
TECHOLED-BX-3-D-8-ME-30	8'	Medium	3000K	64W	8400Lm
TECHOLED-BX-3-D-8-HI-30	8'	High	3000K	89W	11600Lm

Performance above applies to 90 CRI, 3000K. Calculate 96% for 2700K, 104% for 3500K and 109% for 4000K

Model #	Size	Output	Color Temp.	Wattage	Down Lumen Out.	Up Lumen Out.
TECHOLED-BX-3-DI-2-ME-30	2'	Medium	3000K	17W	1467Lm	862Lm
TECHOLED-BX-3-DI-2-HI-30	2'	High	3000K	22W	1899Lm	1115Lm
TECHOLED-BX-3-DI-4-LO-30	4'	Low	3000K	23W	1985Lm	1166Lm
TECHOLED-BX-3-DI-4-ME-30	4'	Medium	3000K	34W	2935Lm	1723Lm
TECHOLED-BX-3-DI-4-HI-30	4'	High	3000K	44W	3798Lm	2230Lm
TECHOLED-BX-3-DI-6-LO-30	6'	Low	3000K	34W	2978Lm	1749Lm
TECHOLED-BX-3-DI-6-ME-30	6'	Medium	3000K	51W	4402Lm	2585Lm
TECHOLED-BX-3-DI-6-HI-30	6'	High	3000K	65W	5696Lm	3346Lm
TECHOLED-BX-3-DI-8-LO-30	8'	Low	3000K	46W	3970Lm	2332Lm
TECHOLED-BX-3-DI-8-ME-30	8'	Medium	3000K	68W	5869Lm	3447Lm
TECHOLED-BX-3-DI-8-HI-30	8'	High	3000K	88W	7595Lm	4461Lm

Performance above applies to 90 CRI, 3000K. Calculate 96% for 2700K, 104% for 3500K and 109% for 4000K

Project:	Type:
	Comments:

### ■ Performance

Output	Lumens / W	Direct	
		W / ft	Lumens / ft
Low	131	5.8	760
Medium	131	8.0	1050
High	131	11.1	1450

Output	Lumens / W	Direct		Indirect		
		W / ft	Lumens / ft	Lumens / W	W / ft	Lumens / ft
Low	137	3.6	496	137	2.2	291
Medium	137	5.4	734	137	3.1	431
High	137	6.9	949	137	4.1	558

### □ Driver Option Details

Code	Description
LT1	<b>LDE1</b> -Lutron Hi-lume 1% EcoSystem, Soft-on, Fade-to Black Dimming
DA	<b>DALI</b>
DMX	<b>DMX</b> - Decoder provided by TechoLED, controller by others

### □ Controls Details

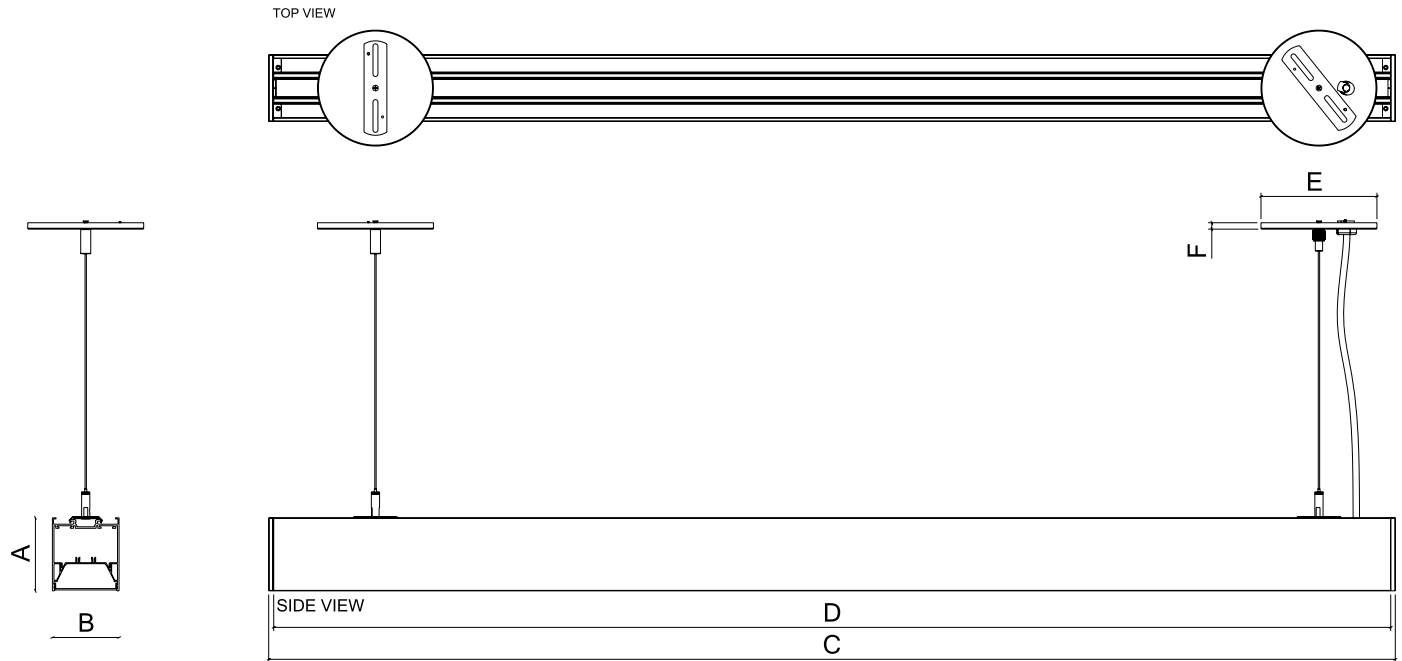
Code	Description
RF-D	<b>RF Wireless</b> remote controller for tunable white. <b>Default for tunable white.</b>
RF-R	<b>RF Wireless</b> remote controller for RGB & RGBW. <b>Default for RGB &amp; RGBW.</b>
M	<b>Motion Sensor</b> - remote, for integral sensor consult factory
BM	<b>Bluetooth Mesh</b> Smart Wireless Control by BubblyNet
CS	<b>Bluetooth Mesh</b> Smart Wireless Control by Casambi
AWNR	<b>Lutron Athena</b> wireless node
AWNS	<b>Lutron Athena</b> wireless node with sensor
NL-ES7	<b>Acuity nLight</b> – Wired nES7 sensor
NL-AIR	<b>Acuity nLight</b> – AIR wireless rES7 sensor
NL-M	<b>Acuity nLight</b> - ready, sensor by others

### □ Options (Cont.) Details

Code	Description
EM	Emergency Battery Backup (remote)

Project:	Type:
	Comments:

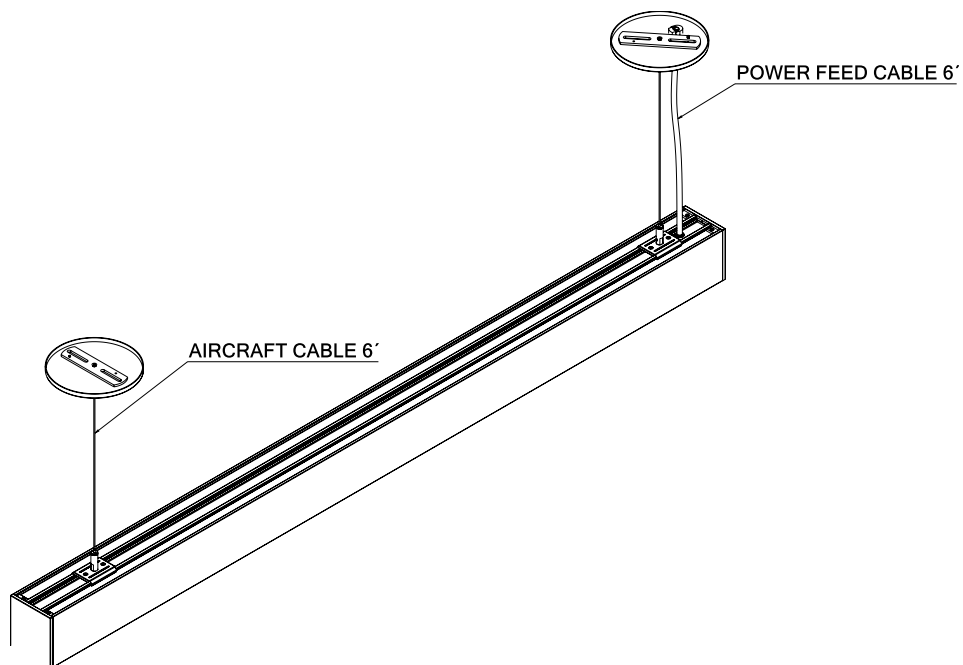
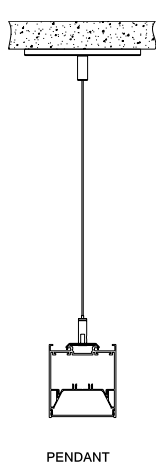
### Dimension and Mounting - Direct Distribution (D)



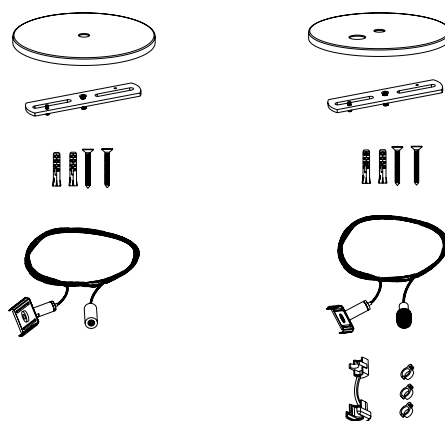
FIXTURE ID	A	B	C	D	E	F
BX-3-D-2	3.15"	2.87"	24.57"	24.17"	5"	0.28"
BX-3-D-4	3.15"	2.87"	48.58"	48.19"	5"	0.28"
BX-3-D-6	3.15"	2.87"	72.56"	72.17"	5"	0.28"
BX-3-D-8	3.15"	2.87"	96.57"	96.18"	5"	0.28"

Project:	Type:
	Comments:

### ■ Pendant (D)

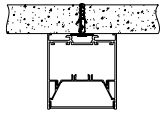


### ■ Pendant Kit

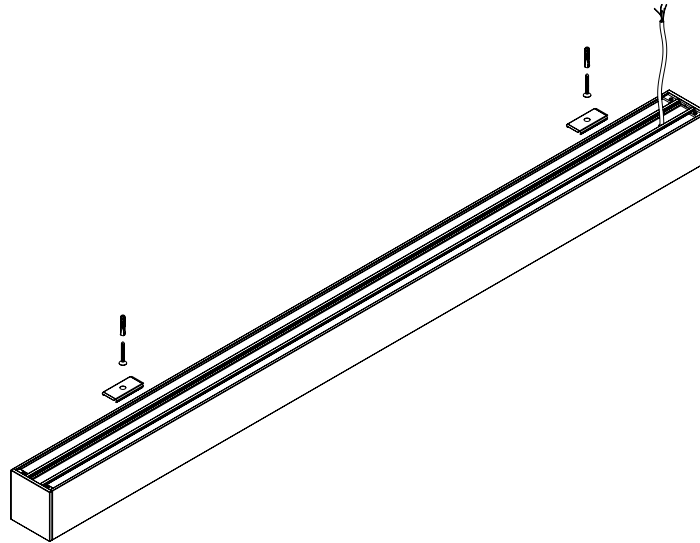


Project:	Type:
	Comments:

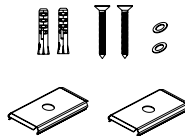
### ■ Surface Mount (D)



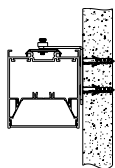
SURFACE MOUNT



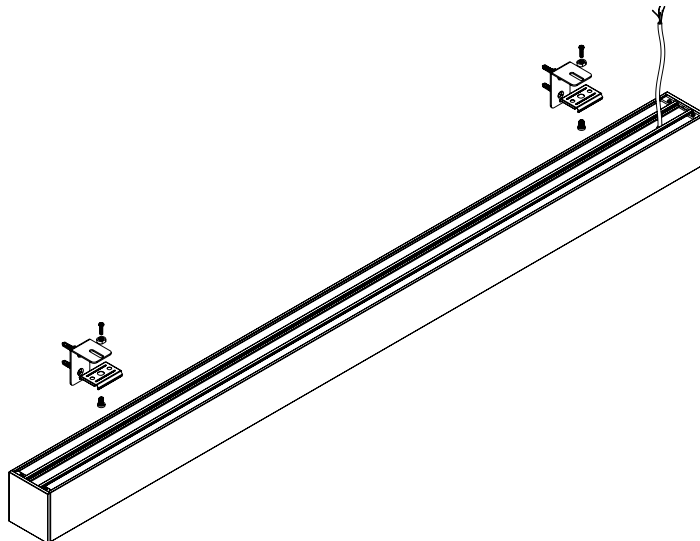
### ■ Surface Mount Kit



### ■ Wall Mount (D)



WALL MOUNT

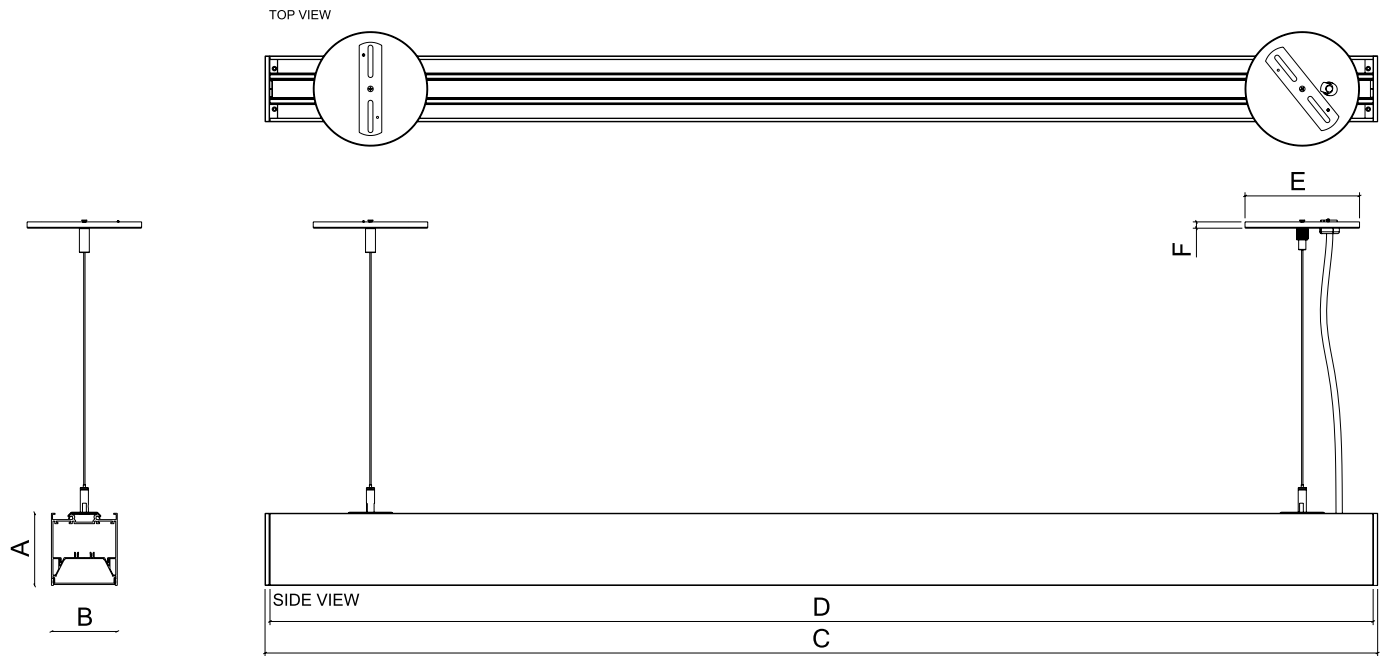


### ■ Wall Mount Kit



Project:	Type:
	Comments:

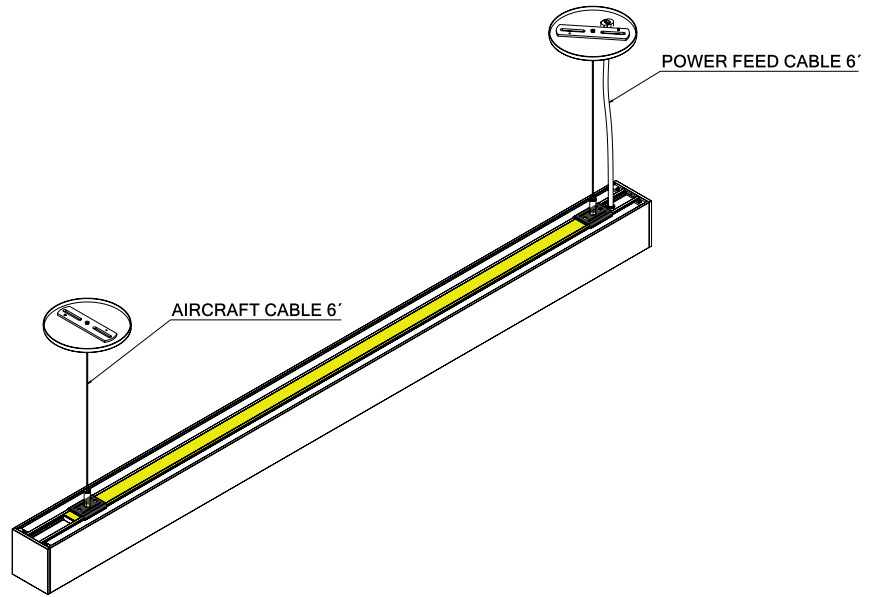
### Dimension and Mounting - Direct/Indirect Distribution (DI)



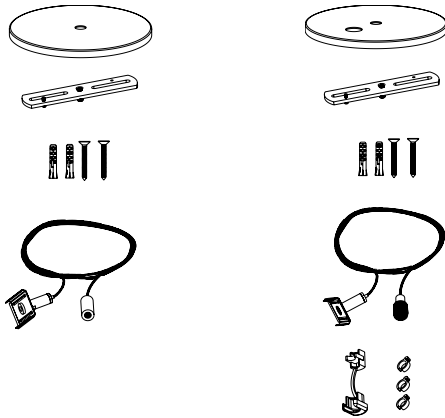
FIXTURE ID	A	B	C	D	E	F
BX-3-DI-2	3.15"	2.87"	24.57"	24.17"	5"	0.28"
BX-3-DI-4	3.15"	2.87"	48.58"	48.19"	5"	0.28"
BX-3-DI-6	3.15"	2.87"	72.56"	72.17"	5"	0.28"
BX-3-DI-8	3.15"	2.87"	96.57"	96.18"	5"	0.28"

Project:	Type:
	Comments:

### ■ Pendant (DI)

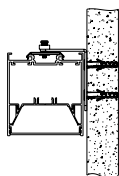


### ■ Pendant Kit

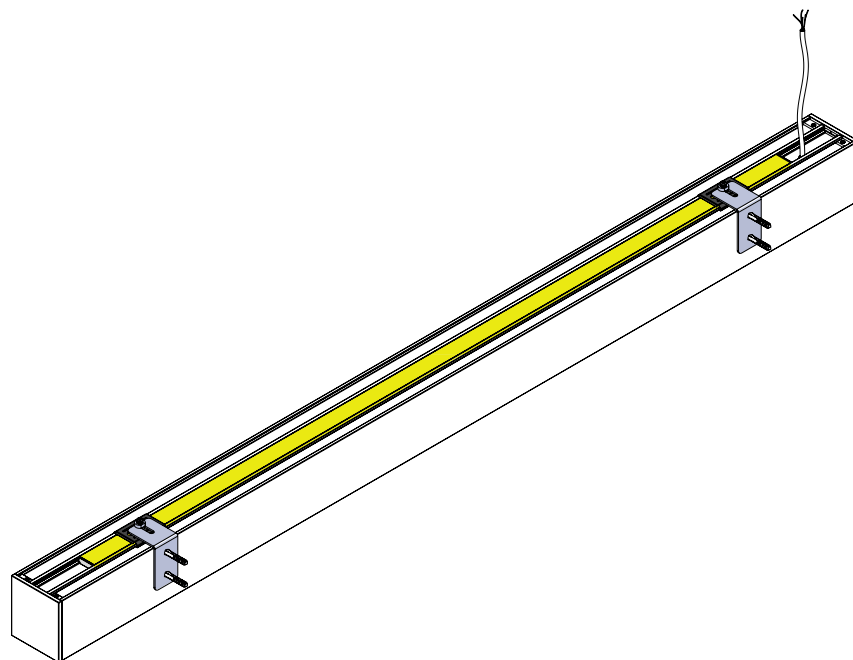


Project:	Type:
	Comments:

### ■ Wall Mount (DI)



WALL MOUNT

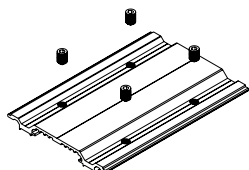


### ■ Wall Mount Kit

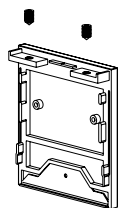
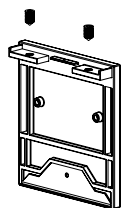


Project:	Type:
	Comments:

### Connectors

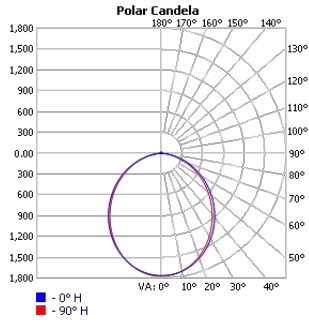


### End Caps

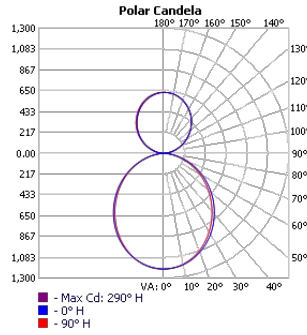


Project:	Type:
	Comments:

### Photometrics



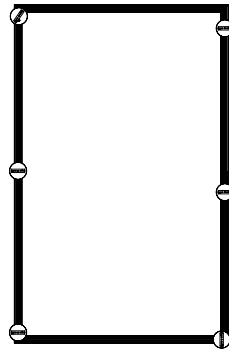
Direct



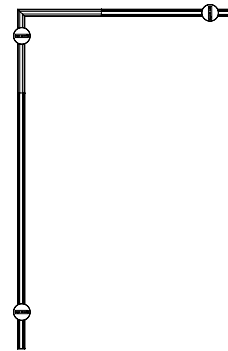
Indirect

Project:	Type:
	Comments:

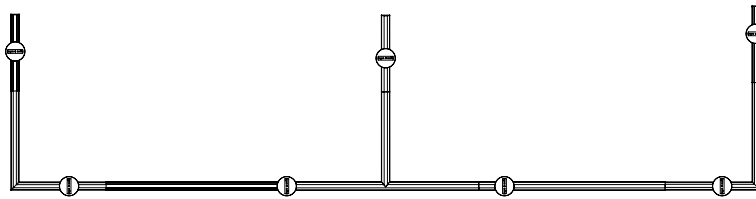
### Patterns Option Examples



Rectangle



L-Shape

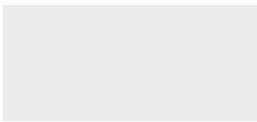


Custom

Project:	Type:
	Comments:

### Finish Details (powder coat finish)

#### ■ Standard Colors



W – White



S – Silver



B – Black

#### ■ Custom Colors



RAL 1003



RAL 2004



RAL 3000



RAL 4001



RAL 5002



RAL 6000



RAL 6038



RAL 7001



RAL 1036



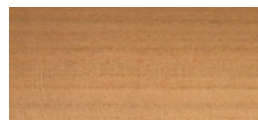
RAL 8029

Any RAL color available, please refer to [ralcolorchart.com](http://ralcolorchart.com)

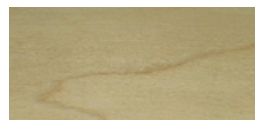
#### ■ Custom Wooden Colors



American Walnut



Cherry



Maple



Light Oak

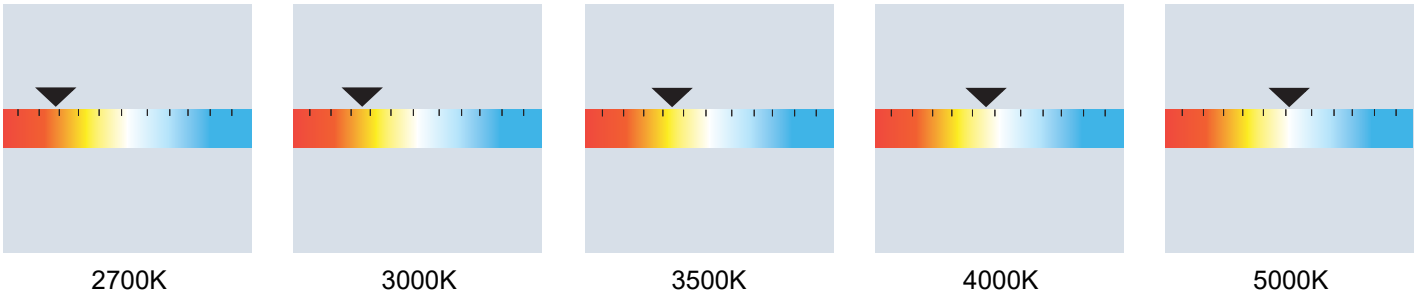


Palisander Santos

Project:	Type:
	Comments:

### Color Temperature

#### ■ Color Temperature



#### ■ Tunable White

