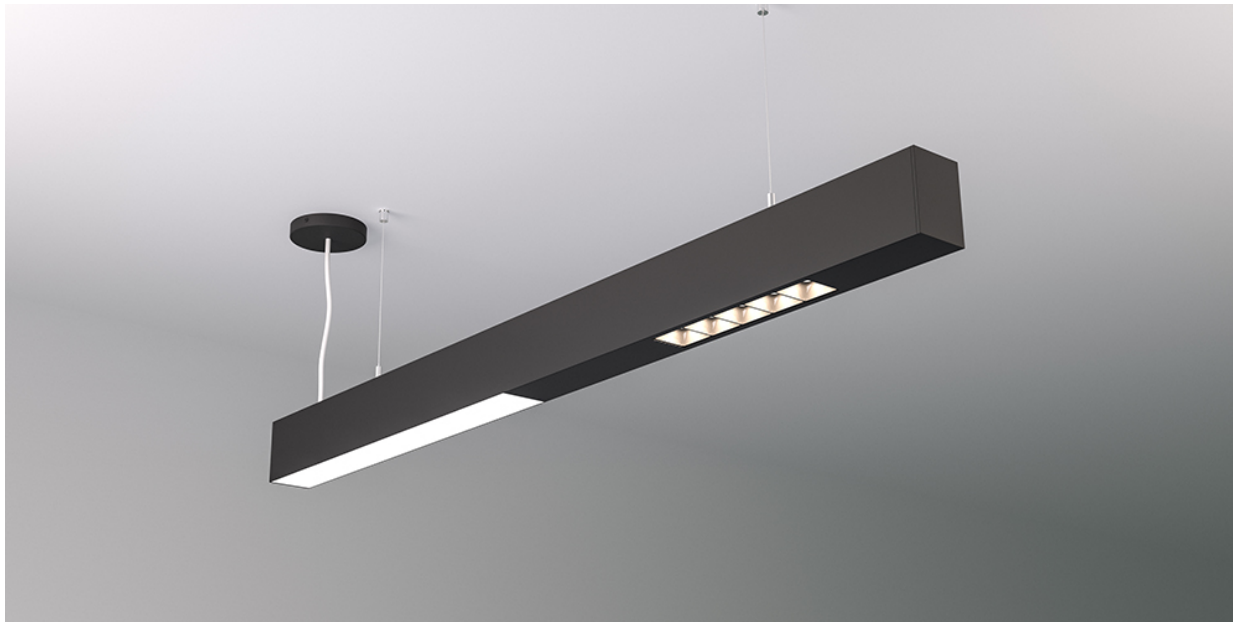


Project:	Type:
	Comments:



### ▣ Highlights

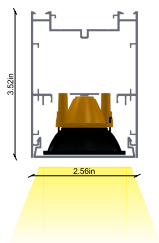
The TechoLED BX series features specification-grade linear LED fixtures made from high-grade aluminum extrusions. Available in standard sizes from 2 to 8 feet, as well as custom lengths, these fixtures can be pendant, surface, or wall-mounted. With virtually limitless options for creating patterns and shapes, the BX series provides a versatile, cost-effective, and modern lighting solution.

**LED:** Samsung LED chips, 2700-5000K, tunable white and RGB/RGBW available, 90CRI, 50,000 hour rated lifespan. Custom lumen packages available.

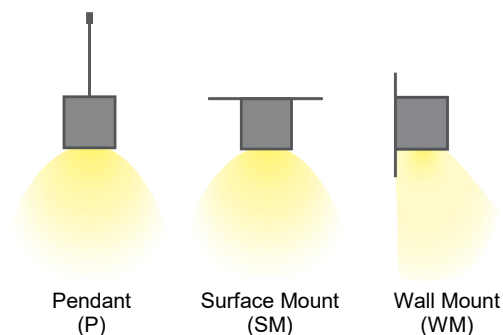
**Optical:** Direct illumination, multiple beam angles available (110° beam angle on solid lense), UGR<19

**Construction:** Damp location listed, high grade aluminum extrusion, die cast end caps, PMMA diffuser, powder coat finish. X, T, L lit corners, wall to ceiling transitions, for smooth seamless patterns.

### ▣ Cross Section



### ▣ Installation



Project:	Type:
	Comments:

### Configuration Example

Model #	Distribution	Length	Lumen Output	Color Temp.	Beam Angle	Voltage
TECHOLED-BX-3C-D-2-ME-27-U-W	Direct	2'	Medium	2700K	15°	110-270V

### Ordering Guide:

Select one option from each group below. For a custom preference please contact [sales@techoled.com](mailto:sales@techoled.com)

1-FIXTURE ID	2-DISTRIBUTION	3-LENGTH	4-LUMEN OUTPUT
<b>BX-3C</b> BX-3C	<b>D</b> Direct	<b>4</b> 4' <b>6</b> 6' <b>8</b> 8' <b>C</b> Custom	<b>ME</b> Medium

5-COLOR TEMP.	6-BEAM ANGLE	7-VOLTAGE	8-FINISH
<b>27</b> 2700K	<b>15</b> 15°	<b>U</b> 110-277V	<b>B</b> Black
<b>30</b> 3000K	<b>30</b> 30°	<b>HV</b> 347V	<b>C</b> Custom (RAL#)
<b>35</b> 3500K	<b>45</b> 45°		<b>S</b> Silver
<b>40</b> 4000K			<b>W</b> White
<b>50</b> 5000K			
<b>DT</b> Lutron T-series			
<b>RGB</b> RGB			
<b>RGBW</b> RGBW			
<b>D</b> Tunable White			

9-MOUNTING	10-DRIVER OPTIONS	11-OPTIONS	12-OPTIONS (CONT.)
<b>P</b> Pendant	<b>DM</b> 0-10V Dimming	<b>RF-D</b> Remote Tunable (RF only)	<b>EM</b> EM Battery (remote)
<b>SM</b> Surface Mount	<b>2C</b> 2 Channel	<b>RF-R</b> Remote RGB/W (RF only)	<b>X</b> None
<b>W</b> Wall Mount	<b>DM1%</b> 1% Dimming	<b>M</b> Motion Sensor (remote)	
	<b>LT1</b> LDE1 Lutron 1%	<b>BM</b> BubblyNet BT Mesh	
	<b>DA</b> Dali	<b>CS</b> Casambi	
	<b>DMX</b> DMX	<b>AWN</b> Lutron Athena Node	
	<b>TR</b> Triac Dimming	<b>AWNS</b> Lutron Athena Node sensor	
	<b>RF</b> RF Wireless	<b>NL-ES7</b> nLight - Wired	
	<b>X</b> None	<b>NL-AIR</b> nLight - AIR	
		<b>NL-M</b> nLight - Module only	
		<b>X</b> None	

Project:	Type:
	Comments:

### Lumen Output Details

Model #	Size	Color Temp.	Wattage	Lumen Output	Lumens / ft	Light Source
TECHOLED-BX-3C-D-4-ME-30	4'	3000K	25W	2400Lm	600	5 spots / 1 linear
TECHOLED-BX-3C-D-6-ME-30	6'	3000K	40W	3600Lm	600	10 spots / 1 linear
TECHOLED-BX-3C-D-8-ME-30	8'	3000K	60W	5700Lm	713	20 spots / 1 linear

Performance above applies to 90 CRI, 3000K. Calculate 96% for 2700K, 104% for 3500K and 109% for 4000K

### Performance

Output	Lumens / W	Direct	
		W / linear	W / spot
Medium	95	10	3

### Driver Option Details

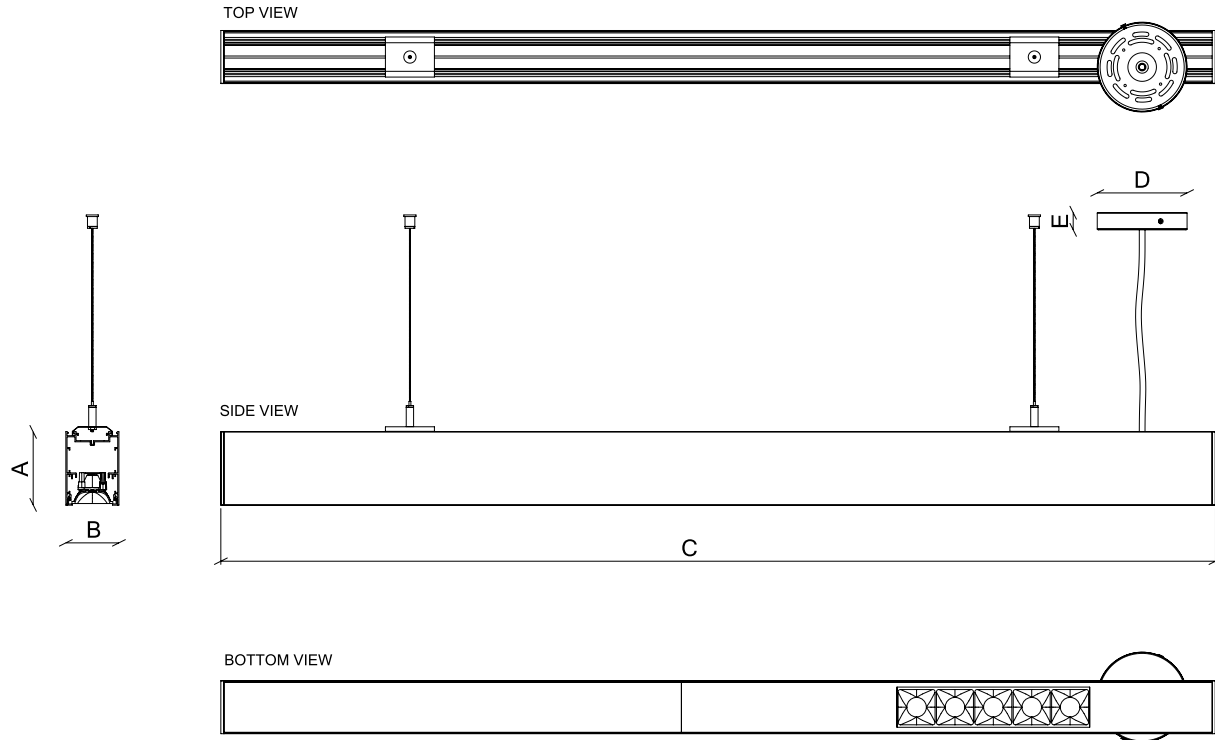
Code	Description
LT1	<b>LDE1</b> -Lutron Hi-lume 1% EcoSystem, Soft-on, Fade-to Black Dimming
DA	<b>DALI</b>
DMX	<b>DMX</b> - Decoder provided by TechoLED, controller by others

### Controls Details

Code	Description
RF-D	<b>RF Wireless</b> remote controller for tunable white. <b>Default for tunable white.</b>
RF-R	<b>RF Wireless</b> remote controller for RGB & RGBW. <b>Default for RGB &amp; RGBW.</b>
M	<b>Motion Sensor</b> - remote, for integral sensor consult factory
BM	<b>Bluetooth Mesh</b> Smart Wireless Control by BubblyNet
CS	<b>Bluetooth Mesh</b> Smart Wireless Control by Casambi
AWNDR	<b>Lutron Athena</b> wireless node
AWNS	<b>Lutron Athena</b> wireless node with sensor
NL-ES7	<b>Acuity nLight</b> – Wired nES7 sensor
NL-AIR	<b>Acuity nLight</b> – AIR wireless rES7 sensor
NL-M	<b>Acuity nLight</b> - ready, sensor by others

Project:	Type:
	Comments:

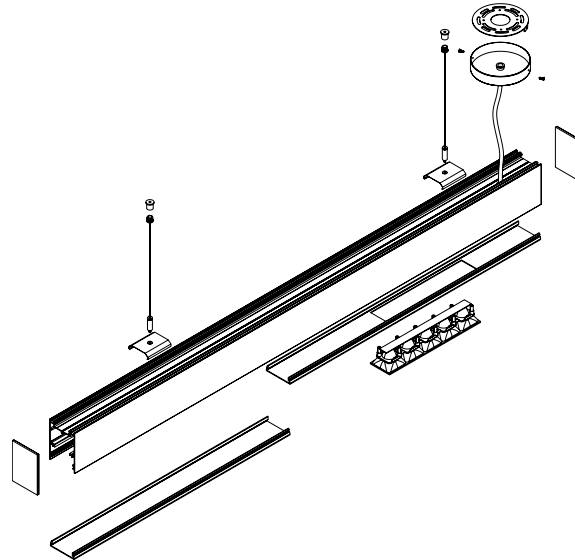
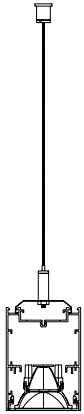
### Dimension and Mounting - Direct Distribution (D)



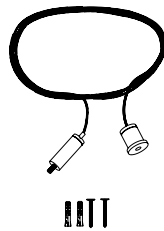
FIXTURE ID	A	B	C	D	E
BX-3C-D-4	3.5"	2.6"	48"	4.33"	0.98"
BX-3C-D-6	3.5"	2.6"	71.8"	4.33"	0.98"
BX-3C-D-8	3.5"	2.6"	95.5"	4.33"	0.98"

Project:	Type:
	Comments:

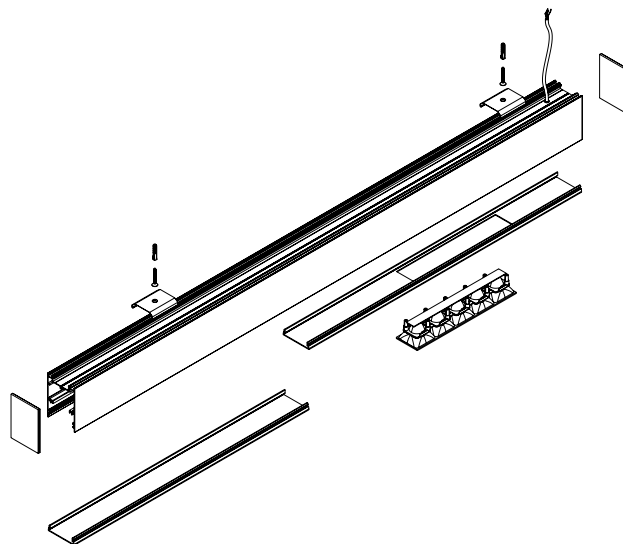
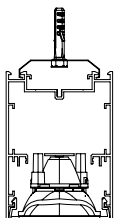
### ■ Pendant Mount (D)



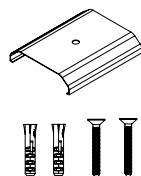
### ■ Pendant Kit



### ■ Surface Mount (D)

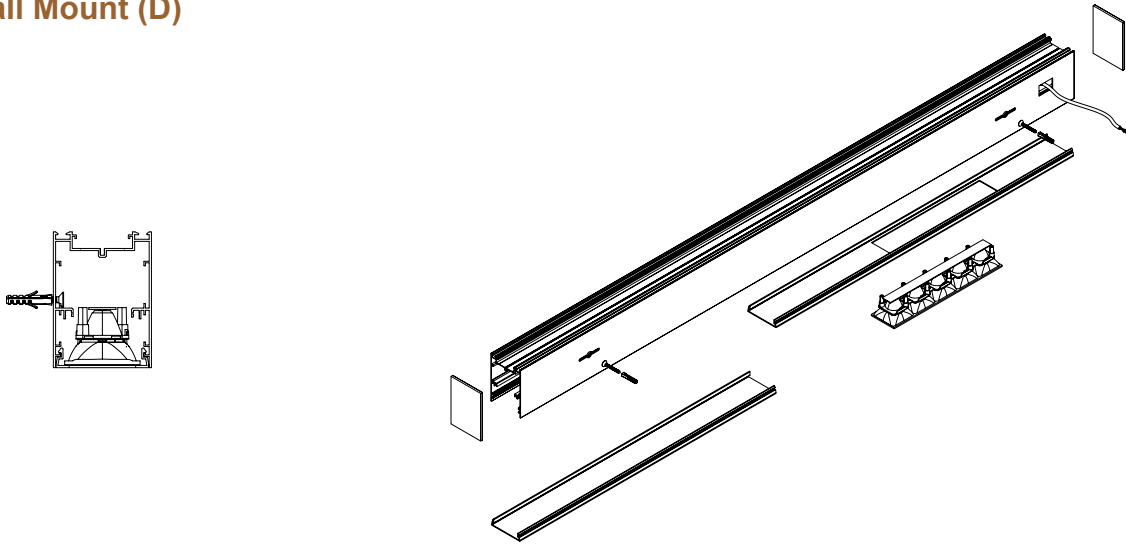


### ■ Surface Mount Kit

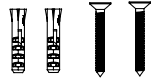


Project:	Type:
	Comments:

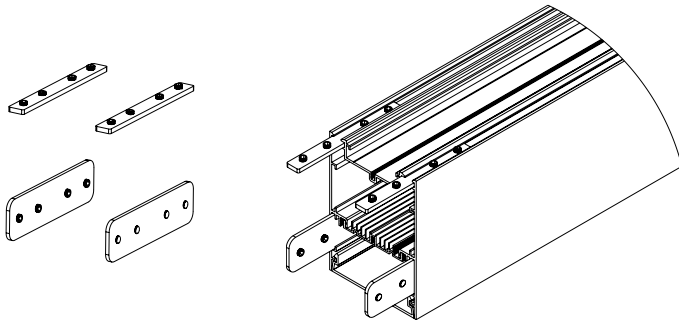
### ■ Wall Mount (D)



### ■ Wall Mount Kit

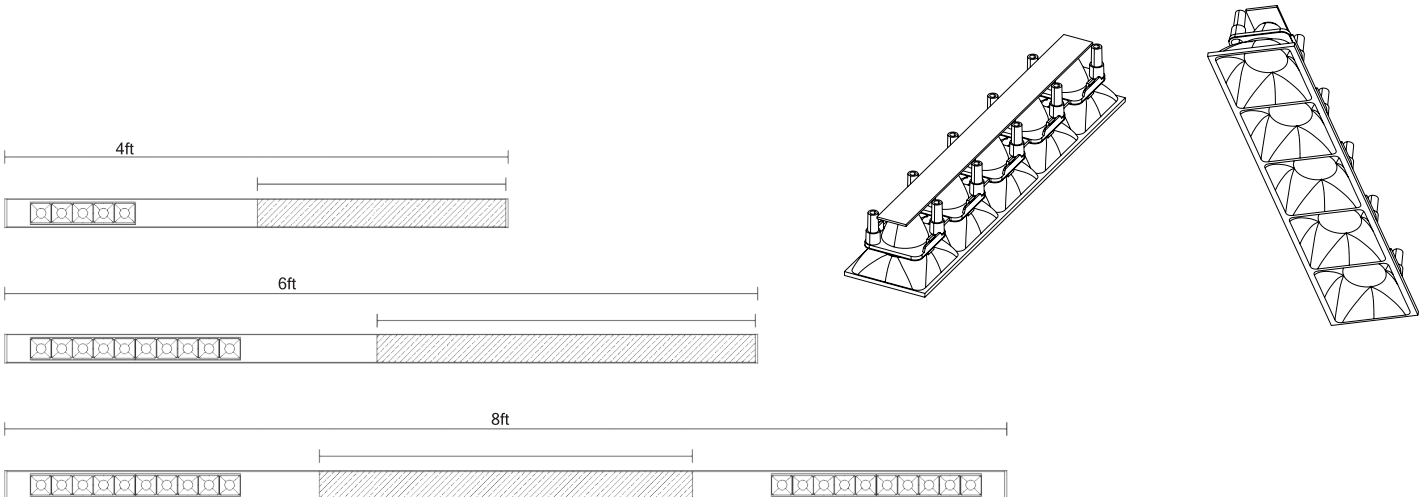


### □ Connectors

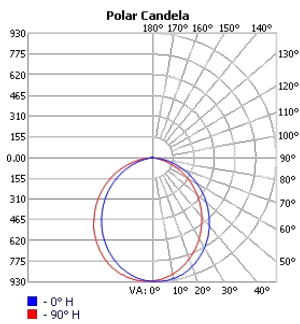


Project:	Type:
	Comments:

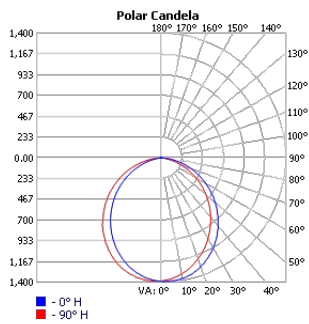
**Configurations**



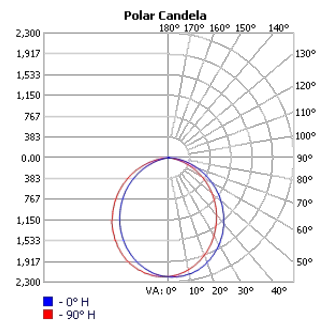
**Photometrics**



TECHOLED-BX-3C-D-4-ME-30



TECHOLED-BX-3C-D-6-ME-30



TECHOLED-BX-3C-D-8-ME-30

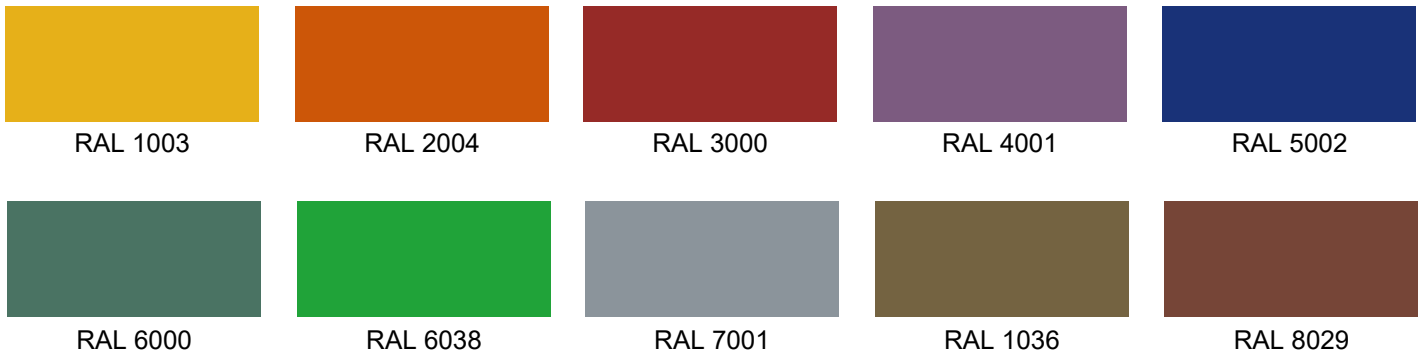
Project:	Type:
	Comments:

### Finish Details (powder coat finish)

#### Standard Colors

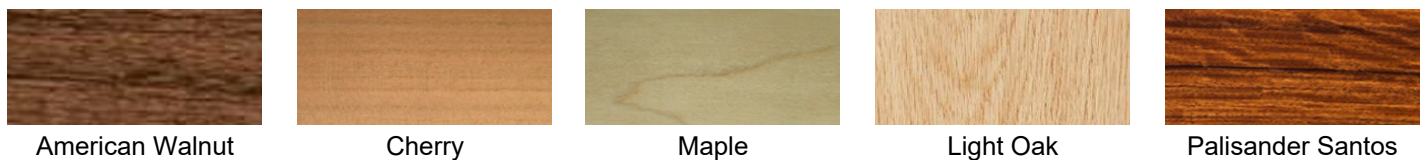


#### Custom Colors



Any RAL color available, please refer to [ralcolorchart.com](http://ralcolorchart.com)

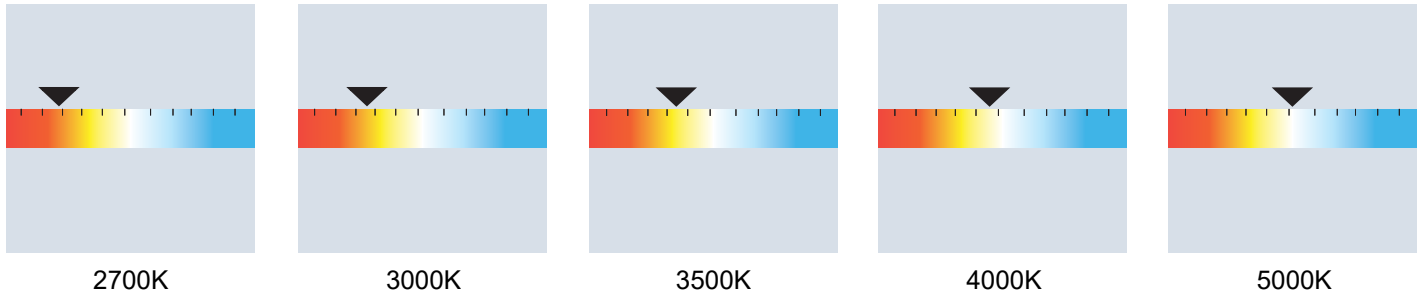
#### Custom Wooden Colors



Project:	Type:
	Comments:

### Color Temperature

#### Color Temperature



#### Tunable White

