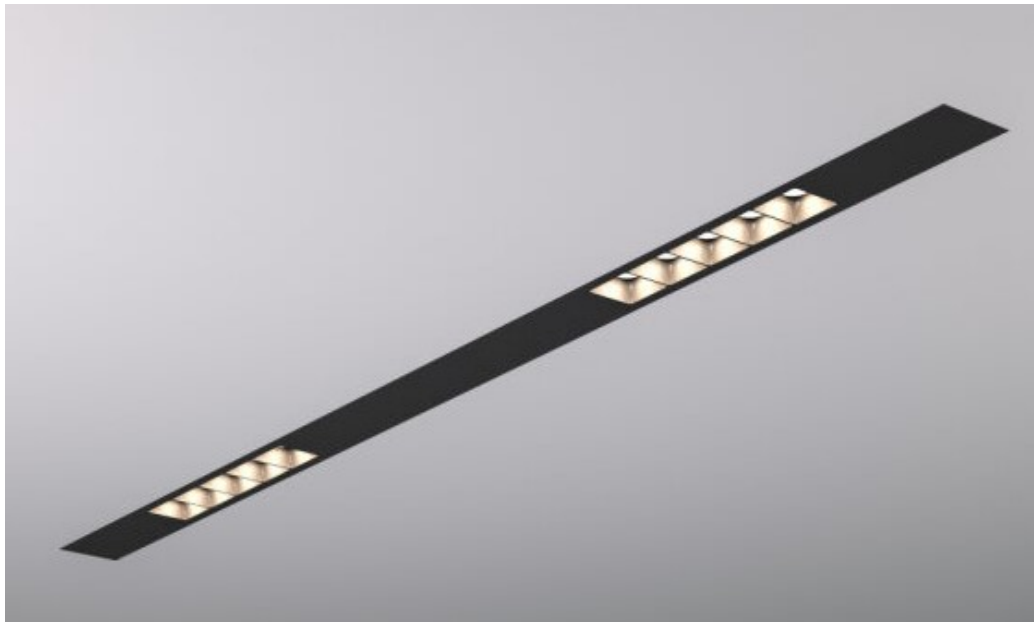


Project:	Type:
	Comments:



Highlights

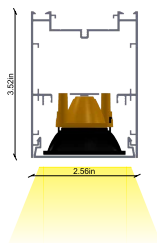
The TechoLED BX series features specification-grade linear LED fixtures made from high-grade aluminum extrusions. Available in standard sizes from 2 to 8 feet, as well as custom lengths, recessed installation in variety of ceiling and materials. With virtually limitless options for creating patterns and shapes, the BX series provides a versatile, cost-effective, and modern lighting solution.

LED: Samsung LED chips, 2700-5000K, tunable white and RGB/RGBW available, 90CRI, 50,000 hour rated lifespan. Custom lumen packages available.

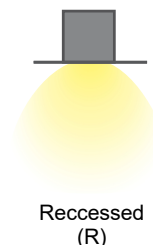
Optical: Direct illumination, multiple beam angles available (110° beam angle on solid lens), UGR<19

Construction: Damp location listed, high grade aluminum extrusion, die cast end caps, PMMA diffuser, powder coat finish. X, T, L lit corners, wall to ceiling transitions, for smooth seamless patterns.

Cross Section



Installation



Project:	Type:
	Comments:

Configuration Example

Model #	Distribution	Length	Lumen Output	Color Temp.	Beam Angle	Voltage
TECHOLED-BX-3L-R-D-2-ME-27-15-U	Direct	2'	Medium	2700K	15°	110-270V

Ordering Guide:

Select one option from each group below. For a custom preference please contact sales@techoled.com

1-FIXTURE ID	2-DISTRIBUTION	3-LENGTH	4-LUMEN OUTPUT
BX-3L-R	D Direct	2 2' 4 4' 6 6' 8 8' C Custom	ME Medium

5-COLOR TEMP.	6-BEAM ANGLE	7-VOLTAGE	8-FINISH
27 2700K 30 3000K 35 3500K 40 4000K 50 5000K DT Lutron T-series RGB RGB D Tunable White	15 15° 30 30° 45 45°	U 110-277V HV 347V	B Black C Custom (RAL#) S Silver W White

9-MOUNTING	10-DRIVER OPTIONS	11-OPTIONS
R Recessed RP Recessed (mud-in) TG9 TG9 TG15 TG15	DM 0-10V Dimming 2C 2 Channel DM1% 1% Dimming LT1 LDE1 Lutron 1% DA Dali DMX DMX TR Triac Dimming RF RF Wireless X None	RF-D Remote Tunable (RF only) RF-R Remote RGB/W (RF only) M Motion Sensor (remote) BM BubblyNet BT Mesh CS Casambi AWN Lutron Athena Node AWNS Lutron Athena Node sensor NL-ES7 nLight - Wired NL-AIR nLight - AIR NL-M nLight - Module only X None

Project:	Type:
	Comments:

Lumen Output Details

Model #	Size	Color Temp.	Wattage	Lumen Output	Lumens / ft	Light Source
TECHOLED-BX-3L-R-D-2-ME-30	2'	3000K	20W	1900Lm	950	10 spots
TECHOLED-BX-3L-R-D-4-ME-30	4'	3000K	20W	1900Lm	475	10 spots
TECHOLED-BX-3L-R-D-6-ME-30	6'	3000K	30W	2850Lm	475	15 spots
TECHOLED-BX-3L-R-D-8-ME-30	8'	3000K	60W	5700Lm	713	30 spots

Performance above applies to 90 CRI, 3000K. Calculate 96% for 2700K, 104% for 3500K and 109% for 4000K

Performance

Output	Lumens / W	W / spot
Medium	95	2

Driver Option Details

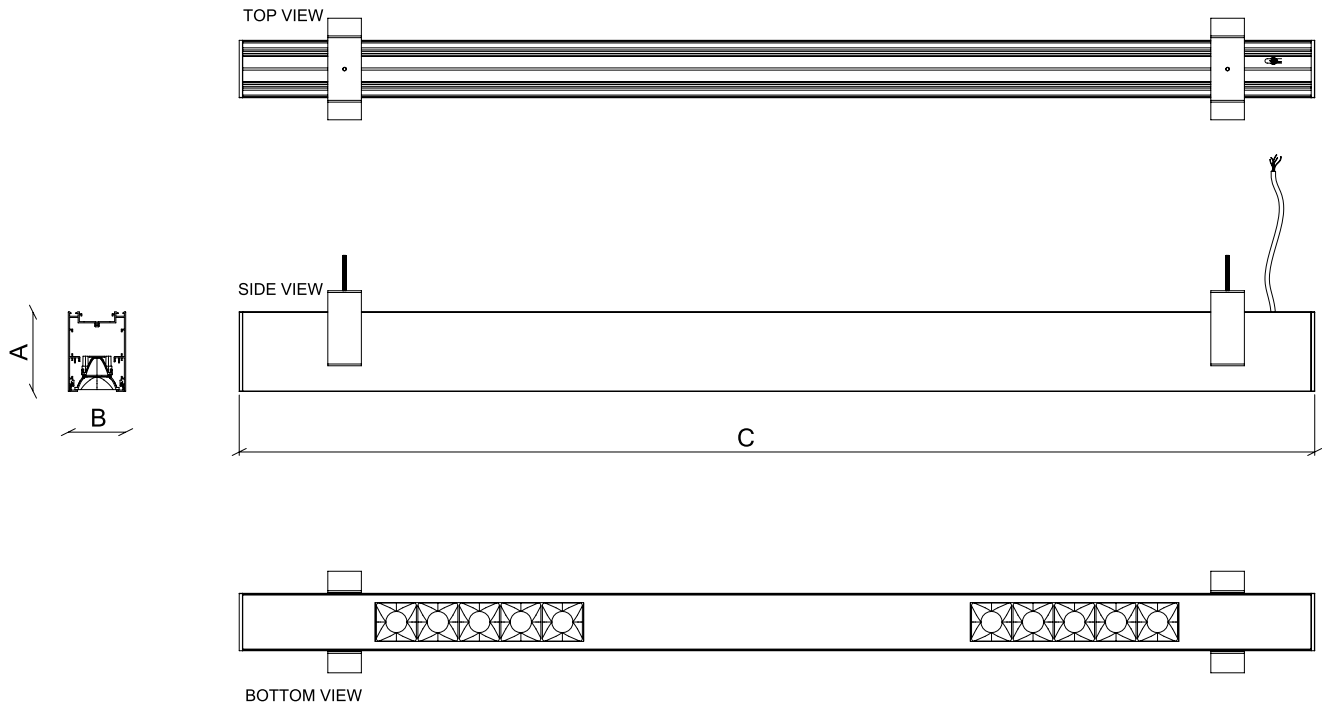
Code	Description
LT1	LDE1 -Lutron Hi-lume 1% EcoSystem, Soft-on, Fade-to Black Dimming
DA	DALI
DMX	DMX - Decoder provided by TechoLED, controller by others

Controls Details

Code	Description
RF-D	RF Wireless remote controller for tunable white. Default for tunable white.
RF-R	RF Wireless remote controller for RGB & RGBW. Default for RGB & RGBW.
M	Motion Sensor - remote, for integral sensor consult factory
BM	Bluetooth Mesh Smart Wireless Control by BubblyNet
CS	Bluetooth Mesh Smart Wireless Control by Casambi
AWNDR	Lutron Athena wireless node
AWNS	Lutron Athena wireless node with sensor
NL-ES7	Acuity nLight – Wired nES7 sensor
NL-AIR	Acuity nLight – AIR wireless rES7 sensor
NL-M	Acuity nLight - ready, sensor by others

Project:	Type:
	Comments:

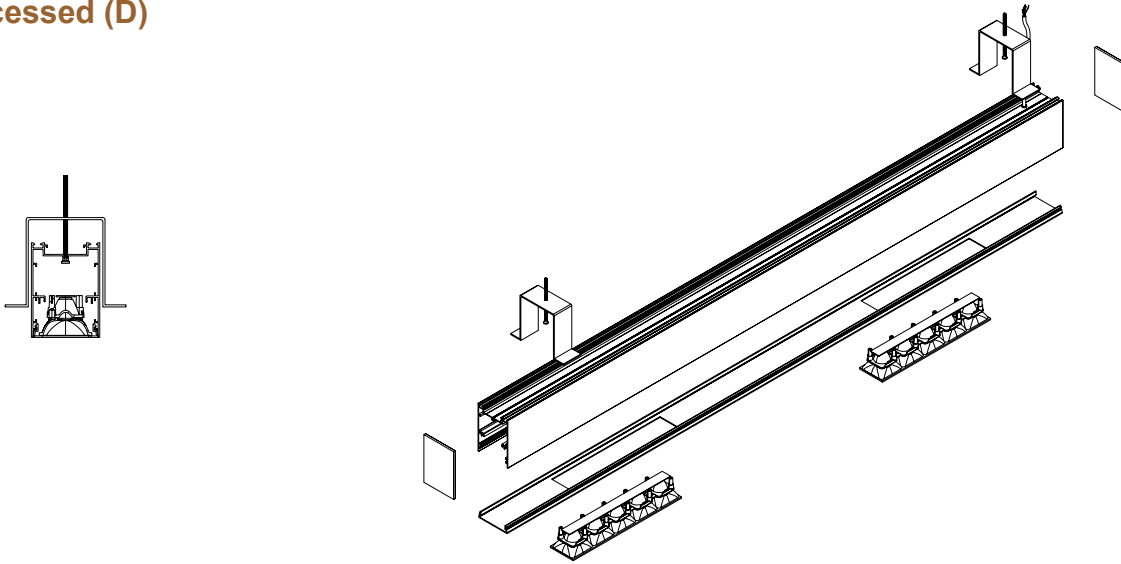
Dimension and Mounting - Direct Distribution (D)



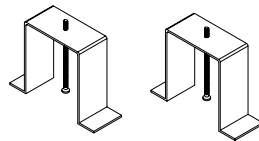
FIXTURE ID	A	B	C
BX-3L-R-D-2	3.5"	2.6"	24"
BX-3L-R-D-4	3.5"	2.6"	48"
BX-3L-R-D-6	3.5"	2.6"	72"
BX-3L-R-D-8	3.5"	2.6"	96"

Project:	Type:
	Comments:

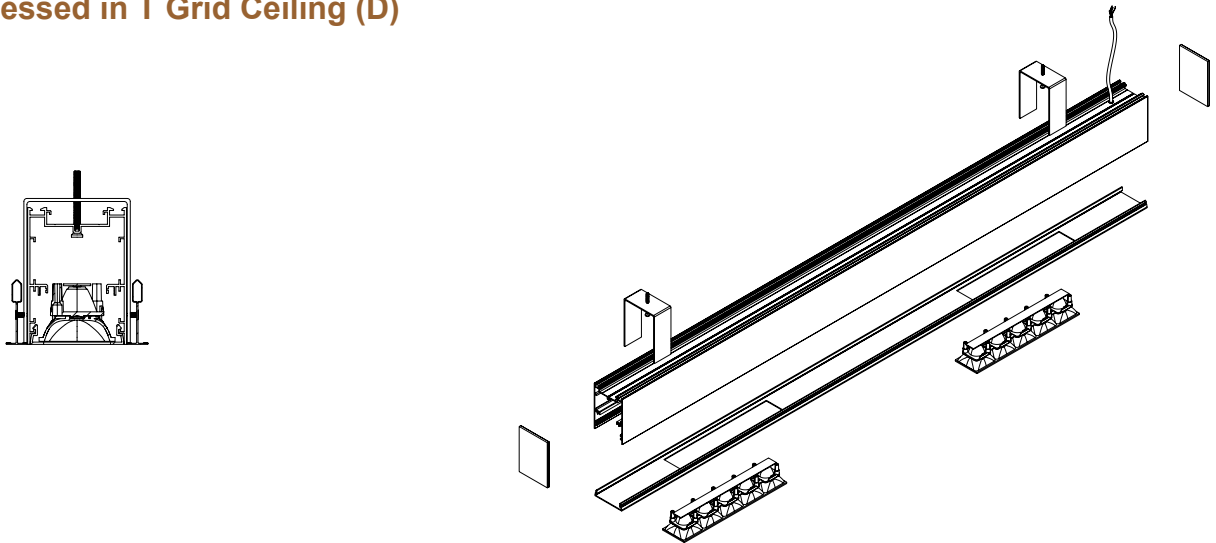
■ **Recessed (D)**



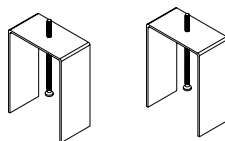
■ **Recessed Kit**



■ **Recessed in T Grid Ceiling (D)**

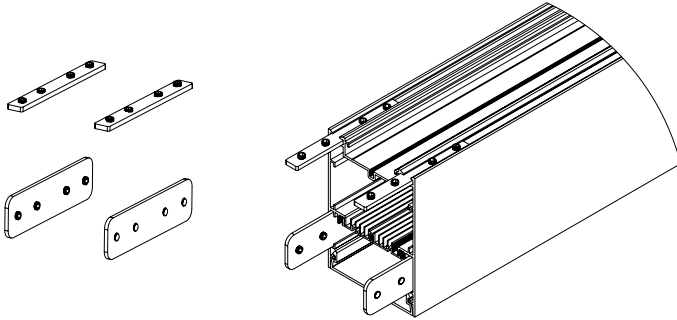


■ **Recessed in T Grid Ceiling Kit**

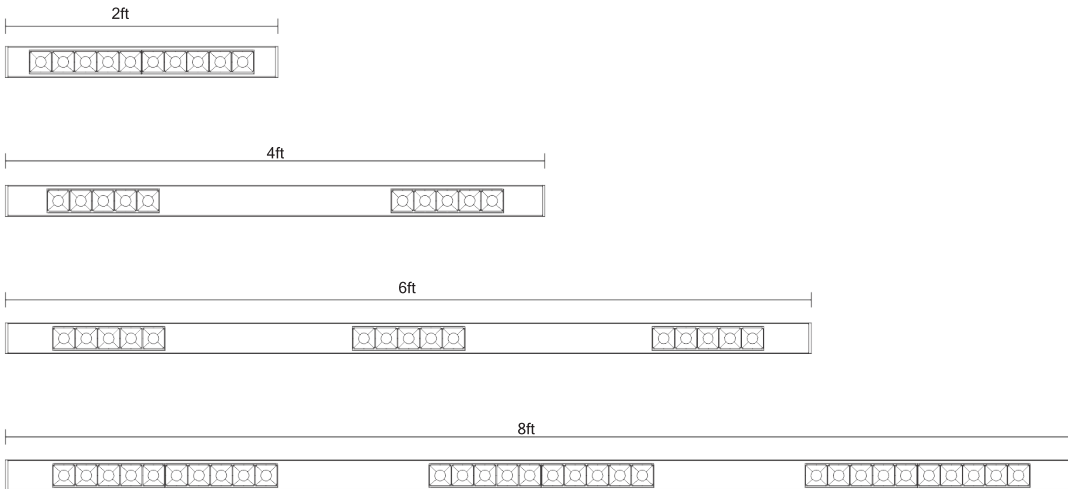


Project:	Type:
	Comments:

Connectors

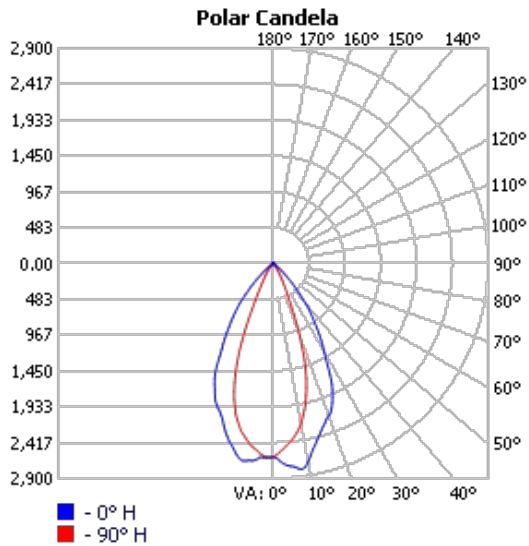


Configurations

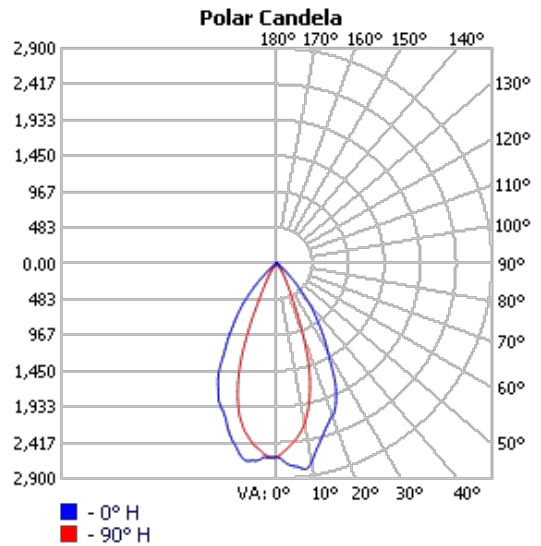


Project:	Type:
	Comments:

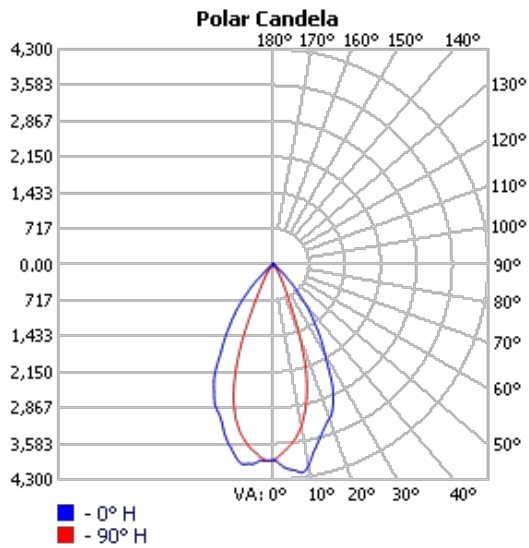
Photometrics



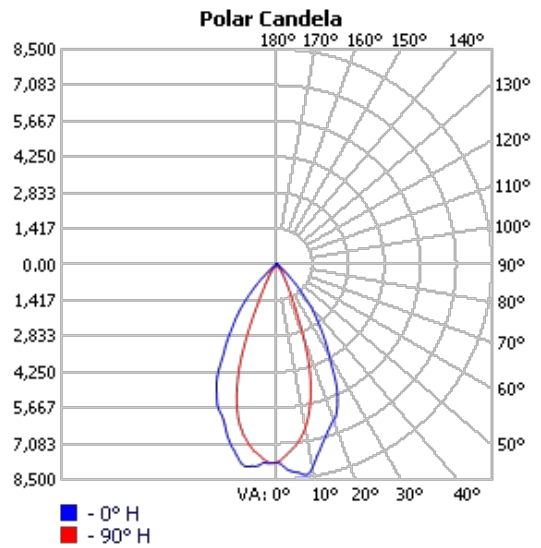
TECHOLED-BX-3L-R-D-2-ME-30



TECHOLED-BX-3L-R-D-4-ME-30



TECHOLED-BX-3L-R-D-6-ME-30

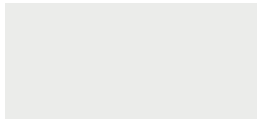


TECHOLED-BX-3L-R-D-8-ME-30

Project:	Type:
	Comments:

Finish Details (powder coat finish)

Standard Colors



W – White



S – Silver



B – Black

Custom Colors



RAL 1003



RAL 2004



RAL 3000



RAL 4001



RAL 5002



RAL 6000



RAL 6038



RAL 7001



RAL 1036



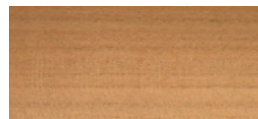
RAL 8029

Any RAL color available, please refer to ralcolorchart.com

Custom Wooden Colors



American Walnut



Cherry



Maple



Light Oak

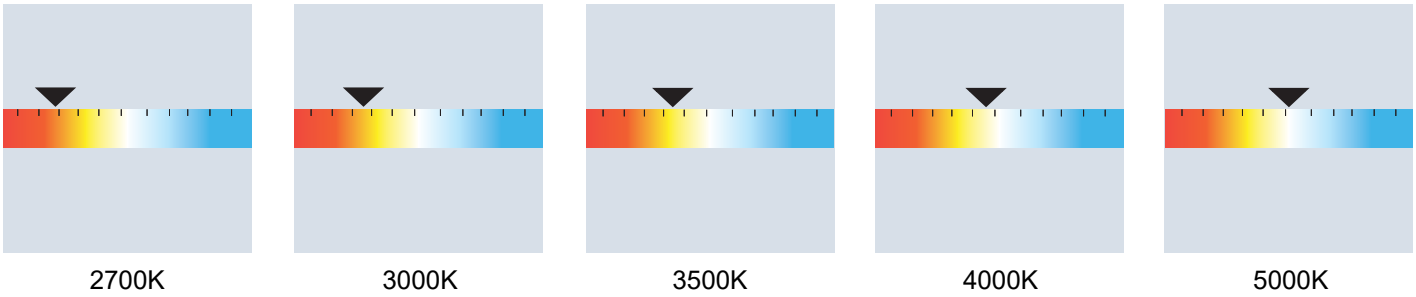


Palisander Santos

Project:	Type:
	Comments:

Color Temperature

Color Temperature



Tunable White

