

Project:	Type:
	Comments:



Highlights

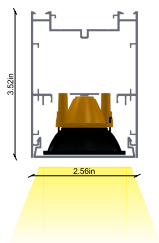
The TechoLED BX series features specification-grade linear LED fixtures made from high-grade aluminum extrusions. Available in standard sizes from 2 to 8 feet, as well as custom lengths, these fixtures can be pendant, surface, or wall-mounted. With virtually limitless options for creating patterns and shapes, the BX series provides a versatile, cost-effective, and modern lighting solution.

LED: Samsung LED chips, 2700-5000K, tunable white and RGB/RGBW available, 90CRI, 50,000 hour rated lifespan. Custom lumen packages available.

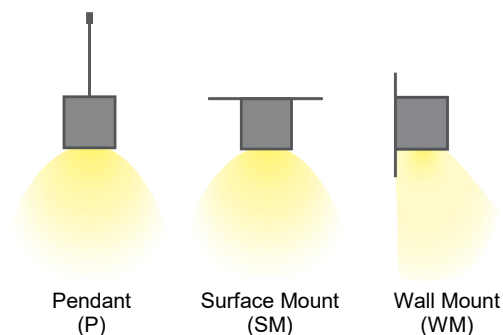
Optical: Direct illumination, 110° beam angle, UGR<19

Construction: Damp location listed, high grade aluminum extrusion, die cast end caps, PMMA diffuser, powder coat finish. X, T, L lit corners, wall to ceiling transitions, for smooth seamless patterns.

Cross Section



Installation



Project:	Type:
	Comments:

Configuration Example

Model #	Distribution	Length	Lumen Output	Color Temp.	Beam Angle	Voltage
TECHOLED-BX-3S-D-2-ME-27-15-U	Direct	2'	Medium	2700K	15°	110-277V

Ordering Guide:

Select one option from each group below. For a custom preference please contact sales@techoled.com

1-FIXTURE ID		2-DISTRIBUTION		3-LENGTH		4-LUMEN OUTPUT	
BX-3S	BX-3S	D	Direct	2	2'	ME	Medium
				4	4'		
				6	6'		
				8	8'		
				C	Custom		

5-COLOR TEMP.		6-BEAM ANGLE		7-VOLTAGE		8-FINISH	
27	2700K	15	15°	U	110-277V	B	Black
30	3000K	30	30°	HV	347V	C	Custom (RAL#)
35	3500K	45	45°			S	Silver
40	4000K					W	White
50	5000K						
DT	Lutron T-series						
RGB	RGB						
D	Tunable White						

9-MOUNTING		10-DRIVER OPTIONS		11-OPTIONS		12-OPTIONS (CONT.)	
P	Pendant	DM	0-10V Dimming	RF-D	Remote Tunable (RF only)	EM	EM Battery (remote)
SM	Surface Mount	2C	2 Channel	RF-R	Remote RGB/W (RF only)	X	None
W	Wall Mount	DM1%	1% Dimming	M	Motion Sensor (remote)		
		LT1	LDE1 Lutron 1%	BM	BubblyNet BT Mesh		
		DA	Dali	CS	Casambi		
		DMX	DMX	AWN	Lutron Athena Node		
		TR	Triac Dimming	AWNS	Lutron Athena Node sensor		
		RF	RF Wireless	NL-ES7	nLight - Wired		
		X	None	NL-AIR	nLight - AIR		
				NL-M	nLight - Module only		
				X	None		

Project:	Type:
	Comments:

Lumen Output Details

Model #	Size	Color Temp.	Wattage	Lumen Output	Lumens / ft	Light source
TECHOLED-BX-3S-D-2-ME-30	2'	3000K	15W	1425Lm	713	5 spots
TECHOLED-BX-3S-D-4-ME-30	4'	3000K	18W	1710Lm	428	6 spots
TECHOLED-BX-3S-D-6-ME-30	6'	3000K	24W	2280Lm	380	8 spots
TECHOLED-BX-3S-D-8-ME-30	8'	3000K	30W	2850Lm	356	10 spots

Performance above applies to 90 CRI, 3000K. Calculate 96% for 2700K, 104% for 3500K and 109% for 4000K

Performance

Output	Lumens / W	Direct W / ft	W / spot
Medium	95	3.8	3

Driver Option Details

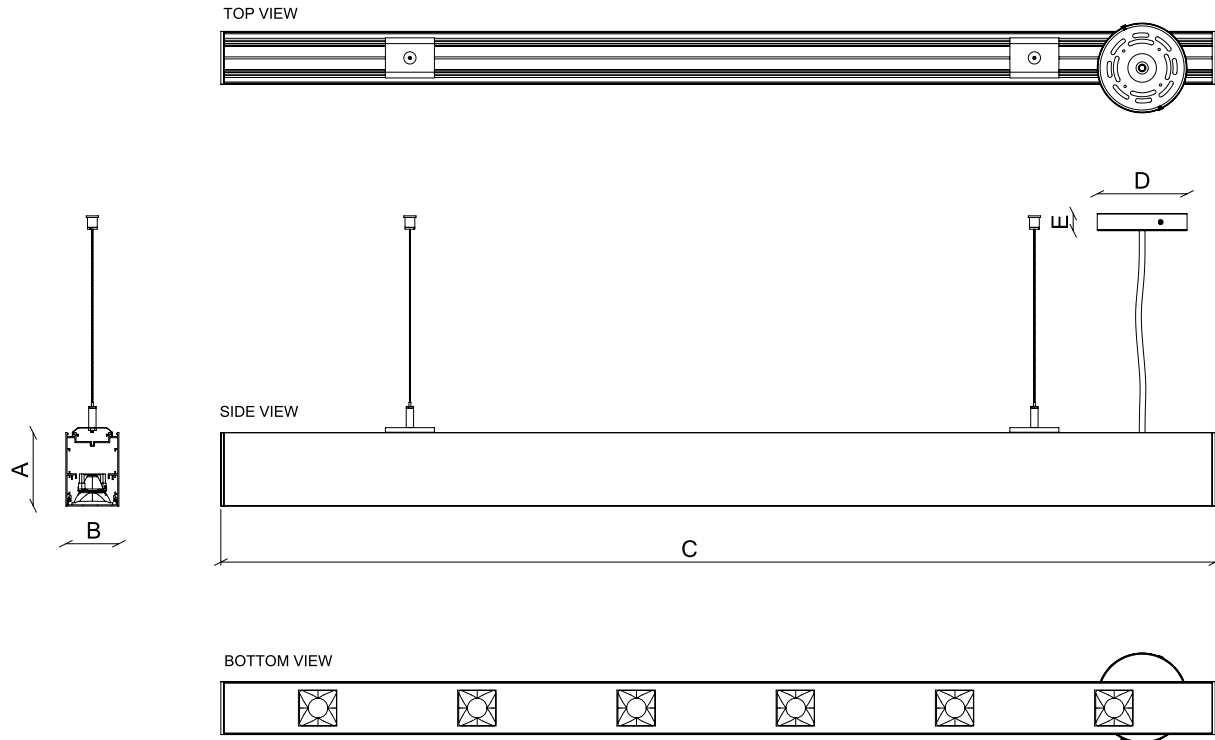
Code	Description
LT1	LDE1 -Lutron Hi-lume 1% EcoSystem, Soft-on, Fade-to Black Dimming
DA	DALI
DMX	DMX - Decoder provided by TechoLED, controller by others

Controls Details

Code	Description
RF-D	RF Wireless remote controller for tunable white. Default for tunable white.
RF-R	RF Wireless remote controller for RGB & RGBW. Default for RGB & RGBW.
M	Motion Sensor - remote, for integral sensor consult factory
BM	Bluetooth Mesh Smart Wireless Control by BubblyNet
CS	Bluetooth Mesh Smart Wireless Control by Casambi
AWN R	Lutron Athena wireless node
AWN S	Lutron Athena wireless node with sensor
NL-ES7	Acuity nLight – Wired nES7 sensor
NL-AIR	Acuity nLight – AIR wireless rES7 sensor
NL-M	Acuity nLight - ready, sensor by others

Project:	Type:
Comments:	

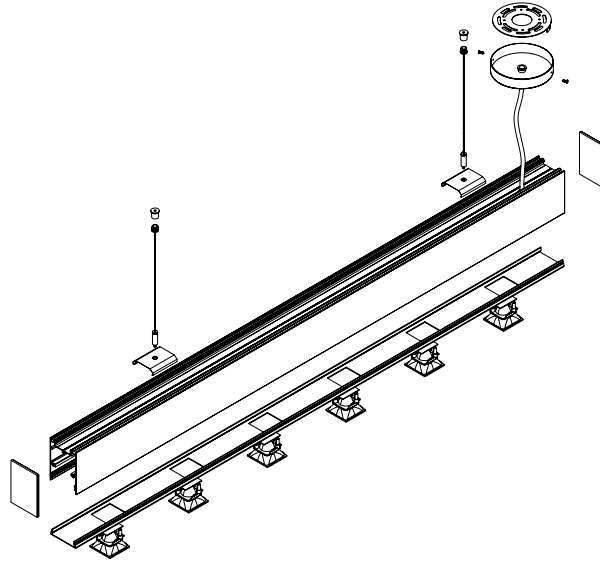
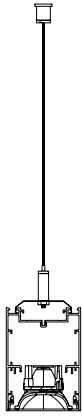
Dimension and Mounting - Direct Distribution (D)



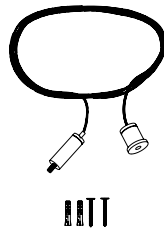
FIXTURE ID	A	B	C	D	E
BX-3S-D-2	3.5"	2.6"	24.2"	4.33"	0.98"
BX-3S-D-4	3.5"	2.6"	48"	4.33"	0.98"
BX-3S-D-6	3.5"	2.6"	71.8"	4.33"	0.98"
BX-3S-D-8	3.5"	2.6"	95.5"	4.33"	0.98"

Project:	Type:
	Comments:

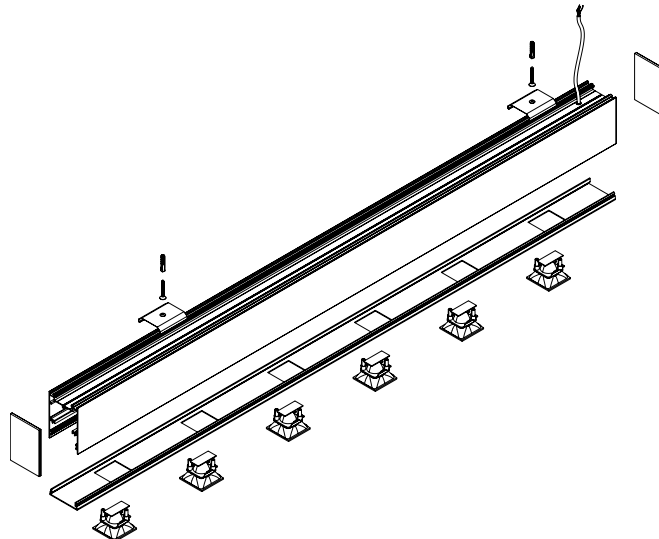
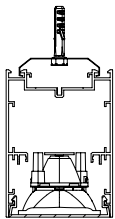
■ Pendant Mount (D)



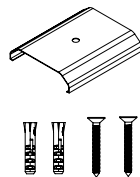
■ Pendant Kit



■ Surface Mount (D)

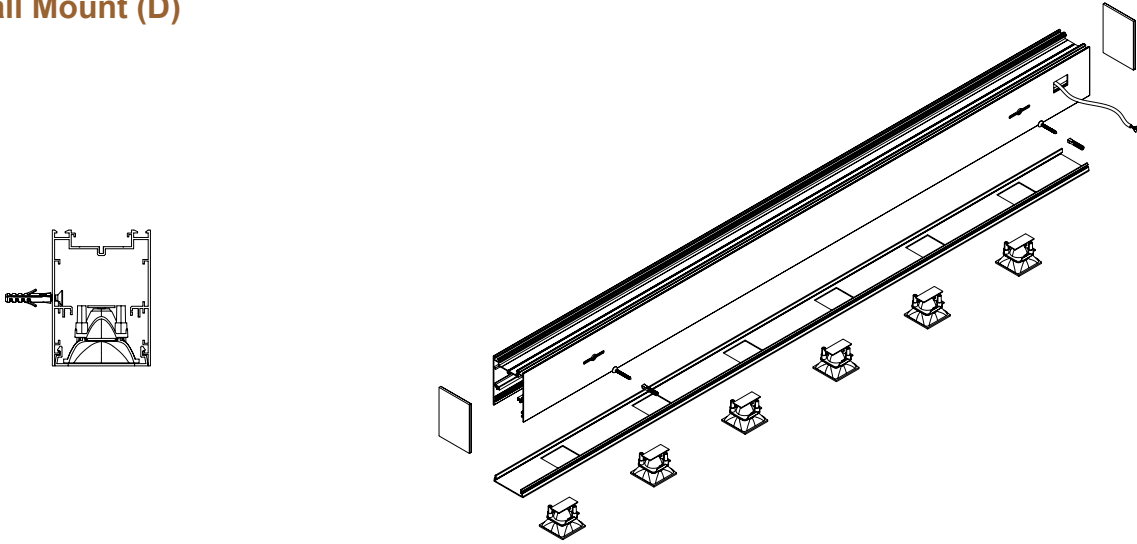


■ Surface Mount Kit

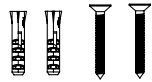


Project:	Type:
	Comments:

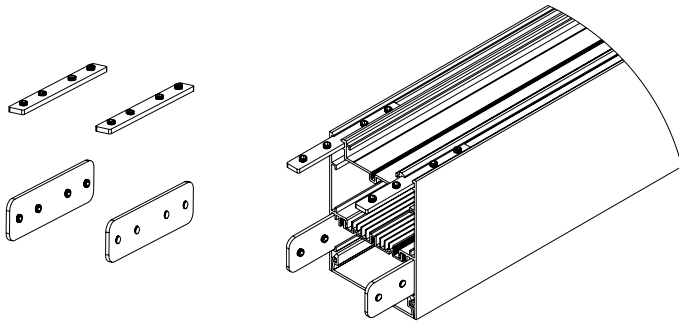
■ Wall Mount (D)



■ Wall Mount Kit

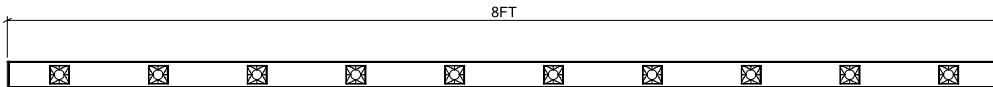
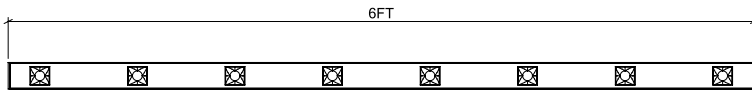
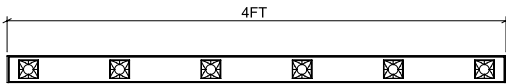
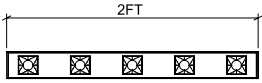


□ Connectors

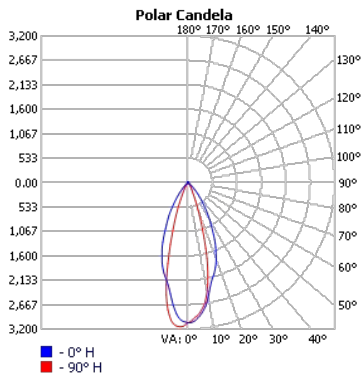


Project:	Type:
	Comments:

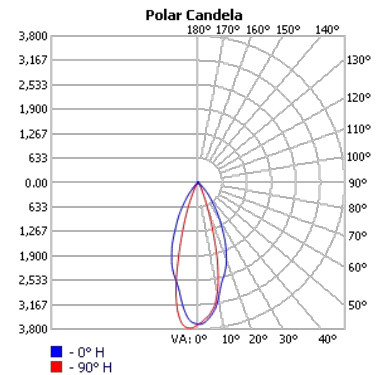
Configurations



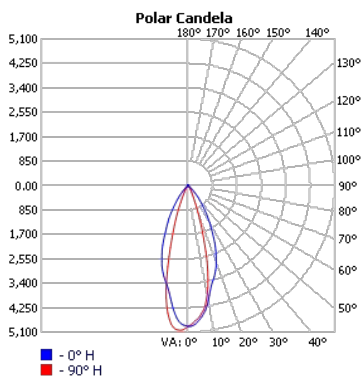
Photometrics



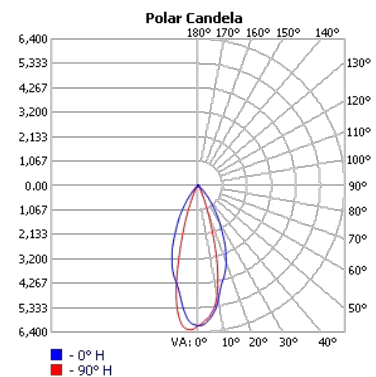
TECHOLED-BX-3S-D-2-ME-30



TECHOLED-BX-3S-D-4-ME-30



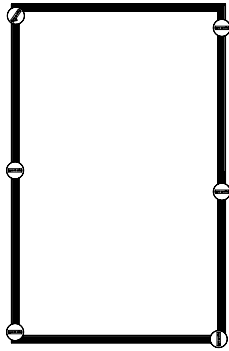
TECHOLED-BX-3S-D-6-ME-30



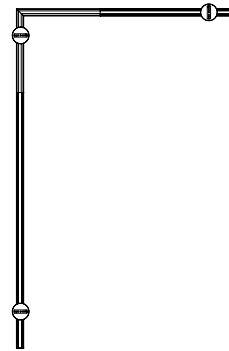
TECHOLED-BX-3S-D-8-ME-30

Project:	Type:
	Comments:

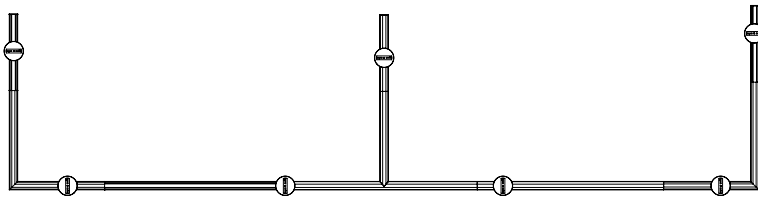
Patterns Option Examples



Rectangle



L-Shape



Custom

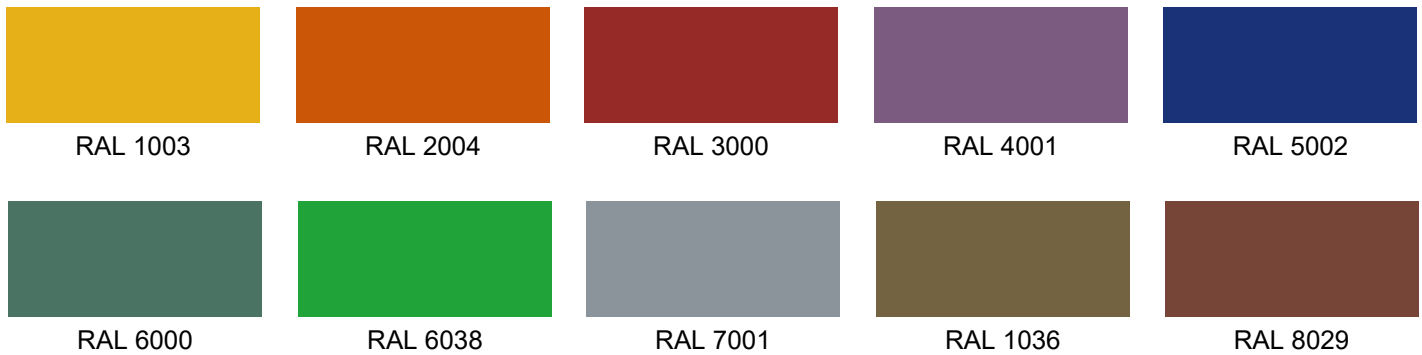
Project:	Type:
	Comments:

Finish Details (powder coat finish)

■ Standard Colors

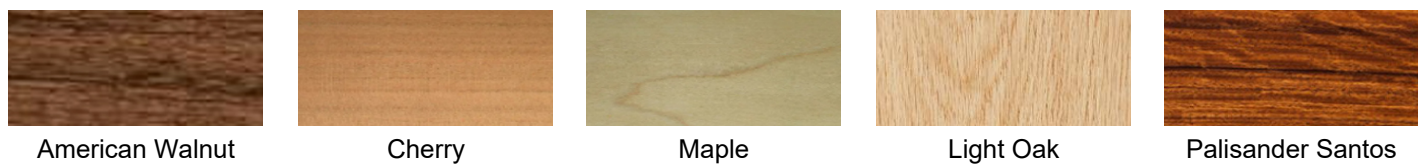


■ Custom Colors



Any RAL color available, please refer to ralcolorchart.com

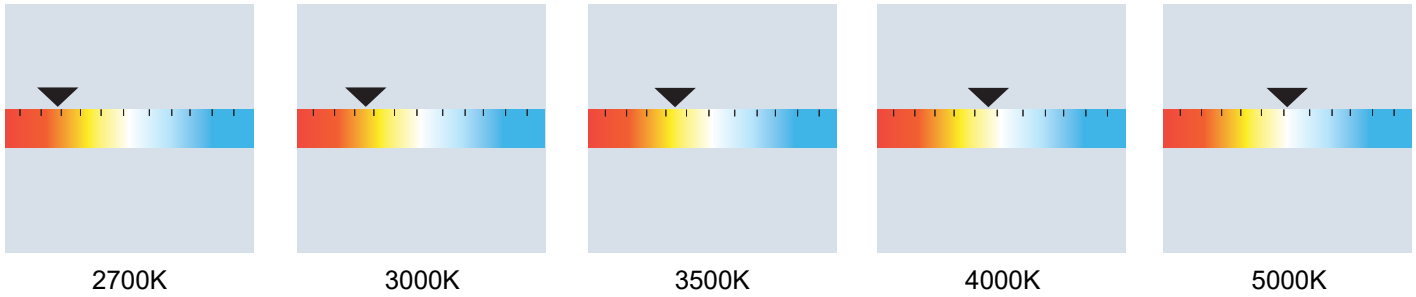
■ Custom Wooden Colors



Project:	Type:
	Comments:

Color Temperature

Color Temperature



Tunable White

