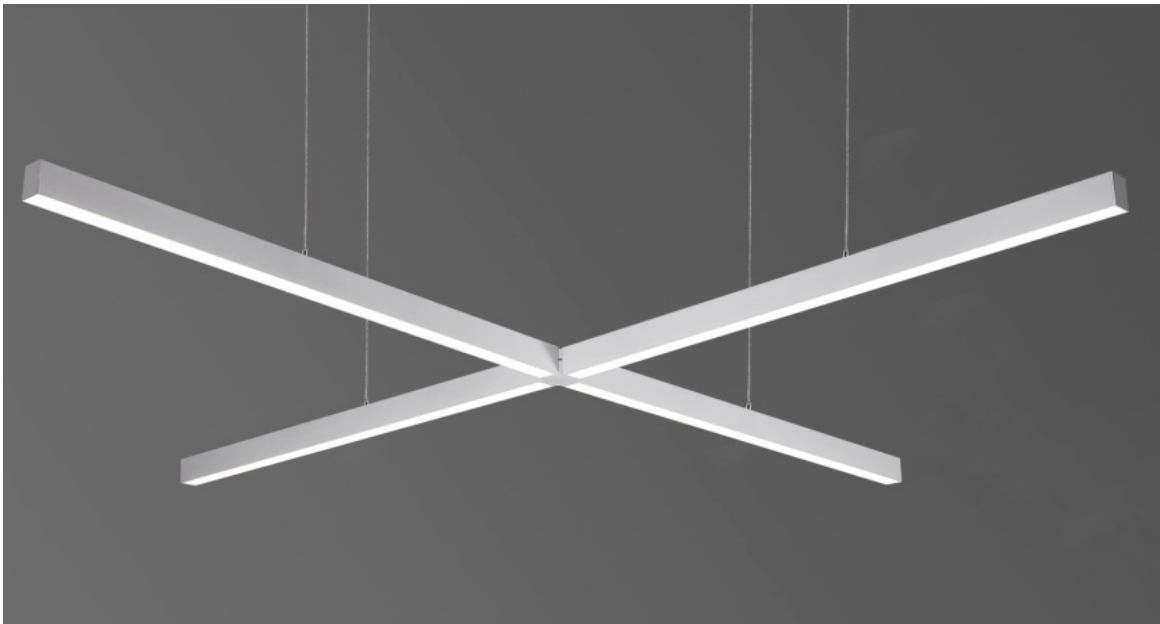


Project:	Type:
	Comments:



Highlights

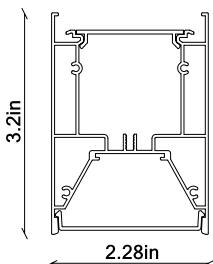
The TechoLED BX series features specification-grade linear LED fixtures made from high-grade aluminum extrusions. Available in standard sizes from 2 to 8 feet, as well as custom lengths, these fixtures can be pendant, surface, or wall-mounted. With virtually limitless options for creating patterns and shapes, the BX series provides a versatile, cost-effective, and modern lighting solution.

LED: Samsung LED chips, 2700-5000K, tunable white and RGB/RGBW available, 90CRI, 50,000 hour rated lifespan. Custom lumen packages available.

Optical: Direct illumination, 110° beam angle, UGR<19

Construction: Damp location listed, high grade aluminum extrusion, die cast end caps, PMMA diffuser, powder coat finish. X, T, L lit corners, wall to ceiling transitions, for smooth seamless patterns.

Cross Section



Installation



Project:	Type:
	Comments:

Configuration Example

Model #	Distribution	Length	Lumen Output	Color Temp.	Voltage	Finish
TECHOLED-BX-M-D-4-ME-27-U-W	Direct	4'	Medium	2700K	110-277V	White

Ordering Guide:

Select one option from each group below. For a custom preference please contact sales@techoled.com

1-FIXTURE ID		2-DISTRIBUTION		3-LENGTH		4-LUMEN OUTPUT	
BX-M	BX-M	D	Direct	2	2'	ME	Medium
				4	4'		
				6	6'		
				8	8'		
				C	Custom		

5-COLOR TEMP.		6-VOLTAGE		7-FINISH		8-MOUNTING	
27	2700K	U	110-277V	S	Silver	P	Pendant
30	3000K	HV	347V	W	White		
35	3500K			B	Black		
40	4000K			C	Custom (RAL#)		
50	5000K						
DT	Lutron T-series						
RGB	RGB						
D	Tunable White						

9-DRIVER OPTIONS		10-OPTIONS		11-OPTIONS (CONT.)	
DM	0-10V Dimming	RF-D	Remote Tunable (RF only)	EM	EM Battery (remote)
2C	2 Channel	RF-R	Remote RGB/W (RF only)	X	None
DM1%	1% Dimming	M	Motion Sensor (remote)		
LT1	LDE1 Lutron 1%	BM	BubblyNet BT Mesh		
DA	Dali	CS	Casambi		
DMX	DMX	AWNR	Lutron Athena Node		
TR	Triac Dimming	AWNS	Lutron Athena Node sensor		
RF	RF Wireless	NL-ES7	nLight - Wired		
X	None	NL-AIR	nLight - AIR		
		NL-M	nLight - Module only		
		X	None		

Project:	Type:
	Comments:

Lumen Output Details

Model #	Size	Output	Color Temp.	Wattage	Lumen Output
TECHOLED-BX-M-D-2-30-U	2'	Medium	3000K	18W	1440Lm
TECHOLED-BX-M-D-4-30-U	4'	Medium	3000K	36W	2880Lm
TECHOLED-BX-M-D-6-30-U	6'	Medium	3000K	54W	4320Lm
TECHOLED-BX-M-D-8-30-U	8'	Medium	3000K	72W	5760Lm

Performance above applies to 90 CRI, 3000K. Calculate 96% for 2700K, 104% for 3500K and 109% for 4000K

Performance

Output	Lumens / W	W / ft	Lumens / ft
Medium	80	9	720

Driver Option Details

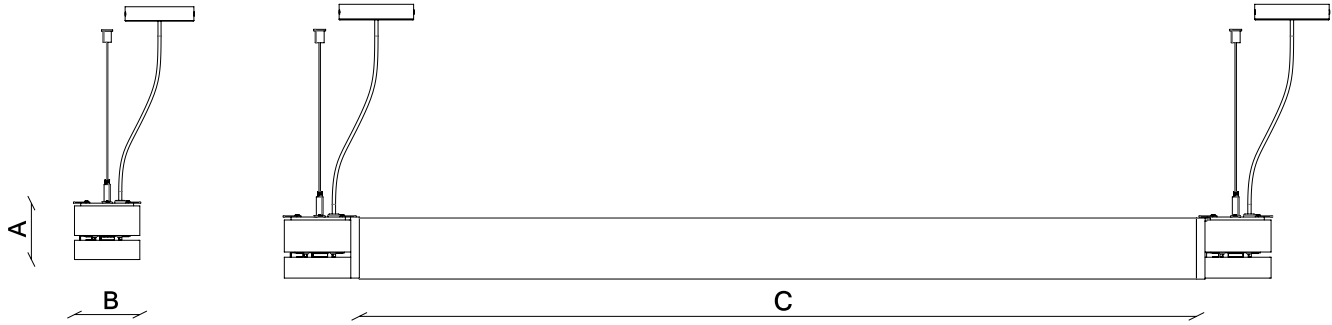
Code	Description
LT1	LDE1 -Lutron Hi-lume 1% EcoSystem, Soft-on, Fade-to Black Dimming
DA	DALI
DMX	DMX - Decoder provided by TechoLED, controller by others

Controls Details

Code	Description
RF-D	RF Wireless remote controller for tunable white. Default for tunable white.
RF-R	RF Wireless remote controller for RGB & RGBW. Default for RGB & RGBW.
M	Motion Sensor - remote, for integral sensor consult factory
BM	Bluetooth Mesh Smart Wireless Control by BubblyNet
CS	Bluetooth Mesh Smart Wireless Control by Casambi
AWNDR	Lutron Athena wireless node
AWNS	Lutron Athena wireless node with sensor
NL-ES7	Acuity nLight – Wired nES7 sensor
NL-AIR	Acuity nLight – AIR wireless rES7 sensor
NL-M	Acuity nLight - ready, sensor by others

Project:	Type:
	Comments:

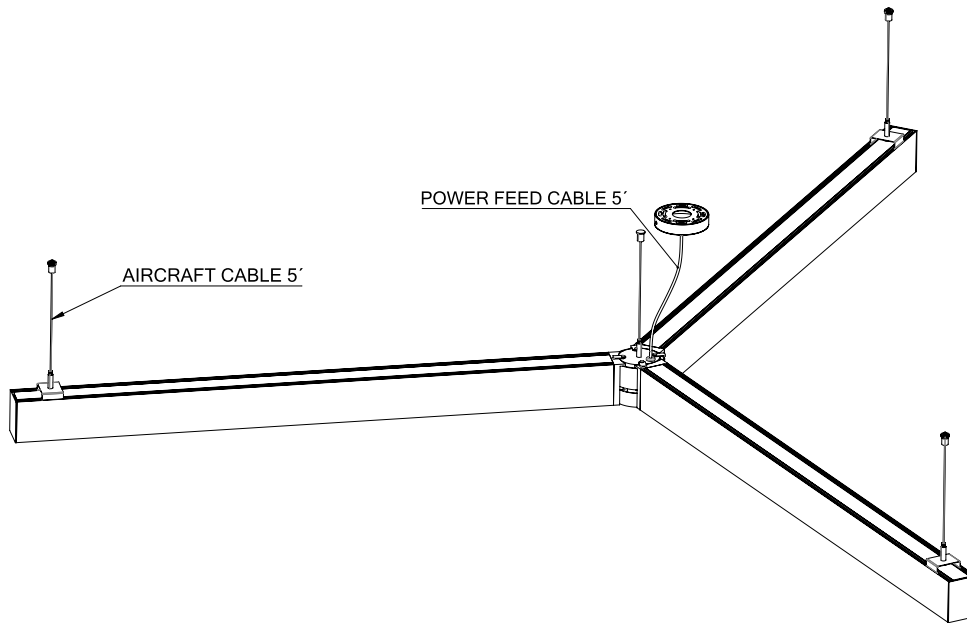
Dimension and Mounting - Direct Distribution (D)



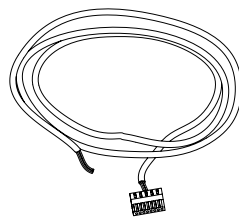
FIXTURE ID	A	B	C
BX-M-D-2	3.2"	2.28"	24"
BX-M-D-4	3.2"	2.28"	48"
BX-M-D-6	3.2"	2.28"	72"
BX-M-D-8	3.2"	2.28"	96"

Project:	Type:
	Comments:

■ Pendant (D)



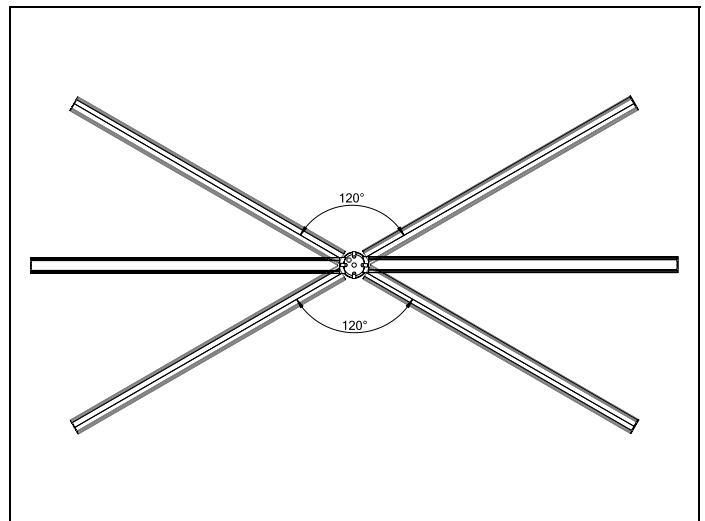
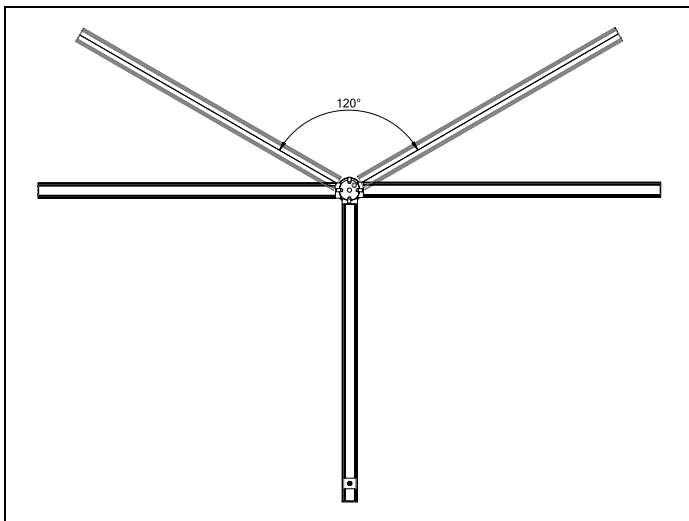
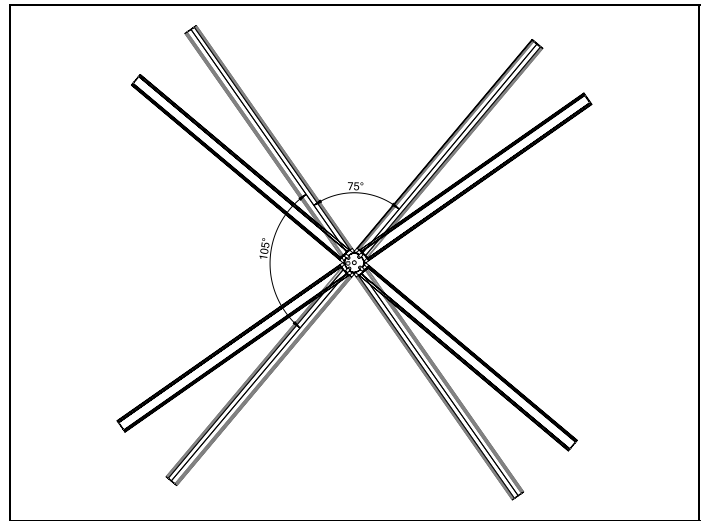
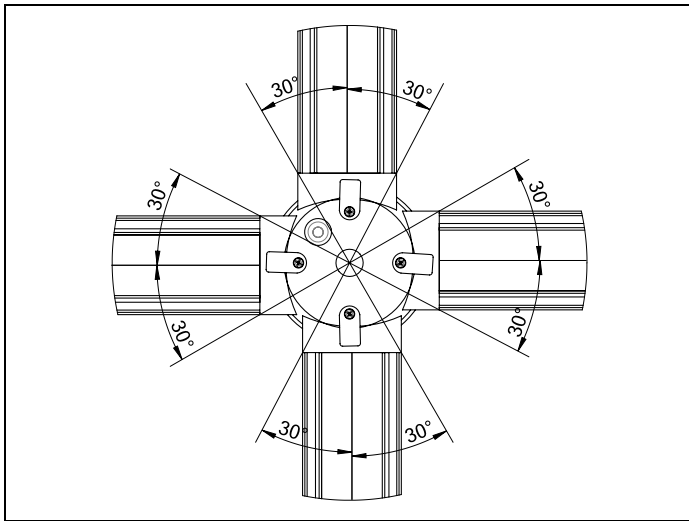
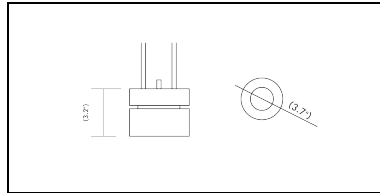
■ Pendant Kit



P-SM-6FT

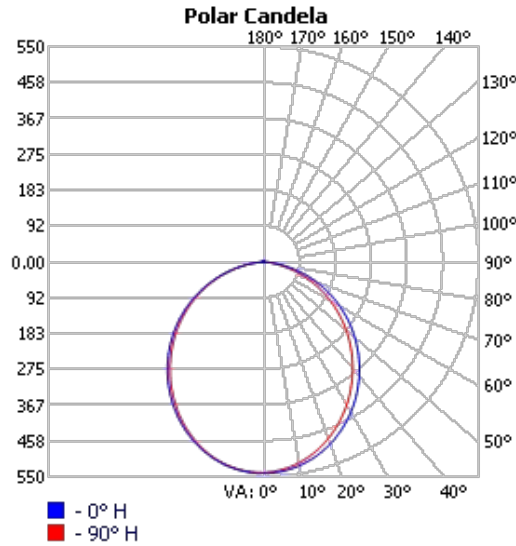
Project:	Type:
	Comments:

Connectors

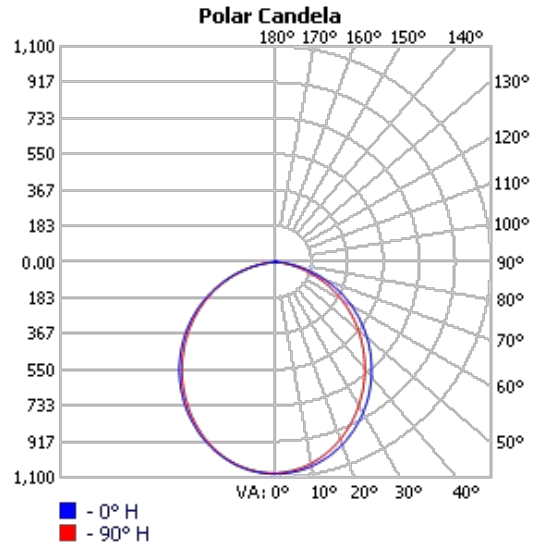


Project:	Type:
	Comments:

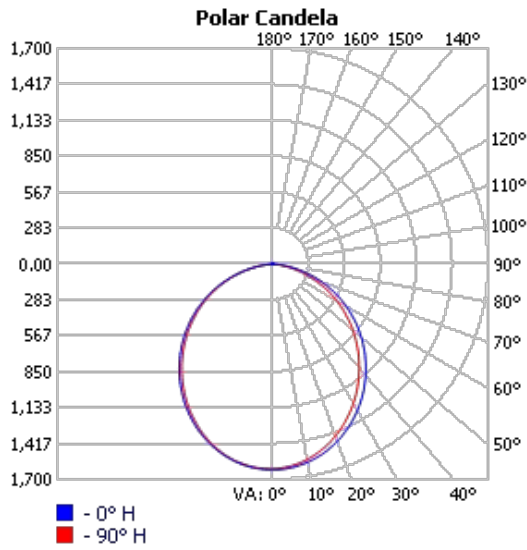
Photometrics



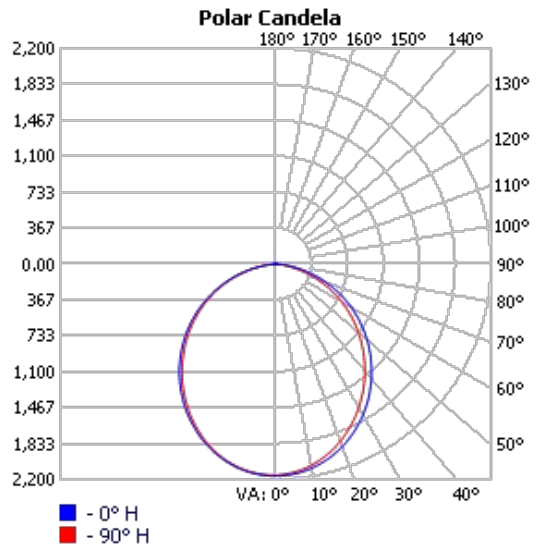
TECHOLED-BX-M-D-2-ME-30-U



TECHOLED-BX-M-D-4-ME-30-U



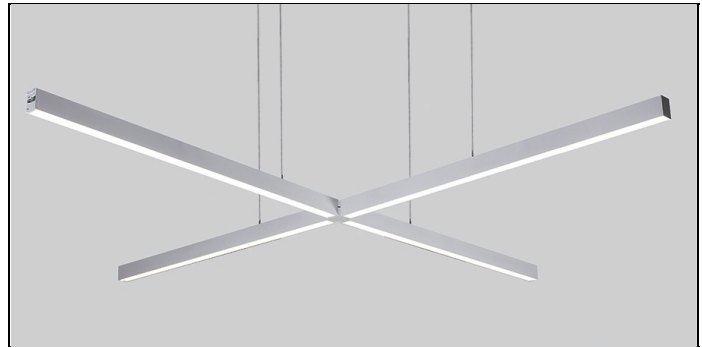
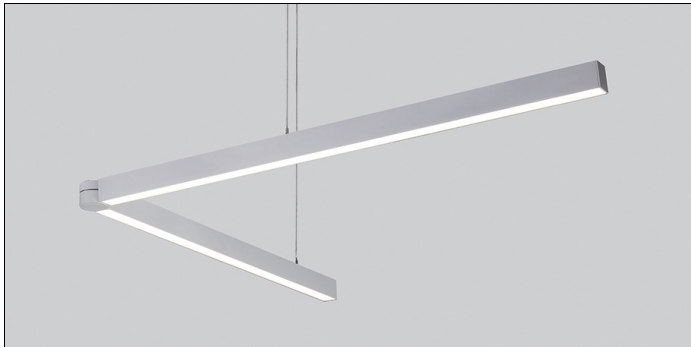
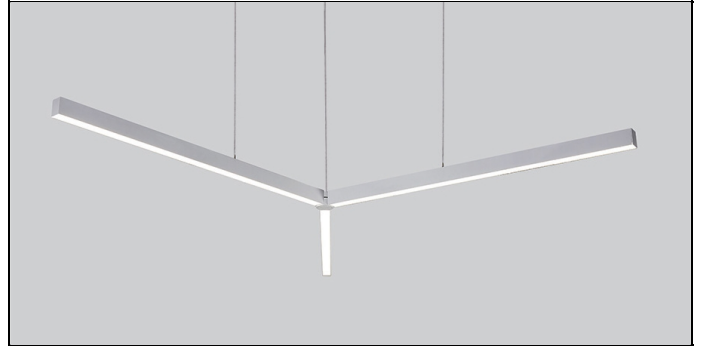
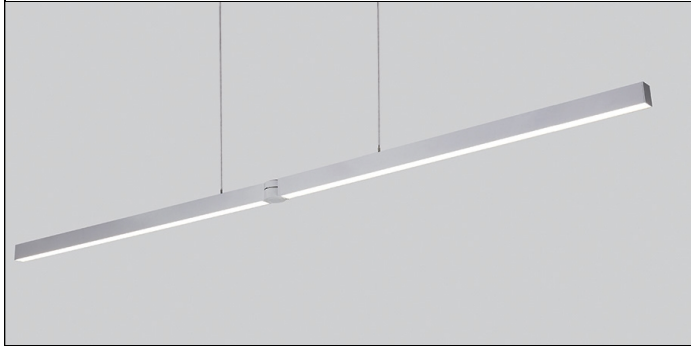
TECHOLED-BX-M-D-6-ME-30-U



TECHOLED-BX-M-D-8-ME-30-U

Project:	Type:
	Comments:

Patterns Option Examples



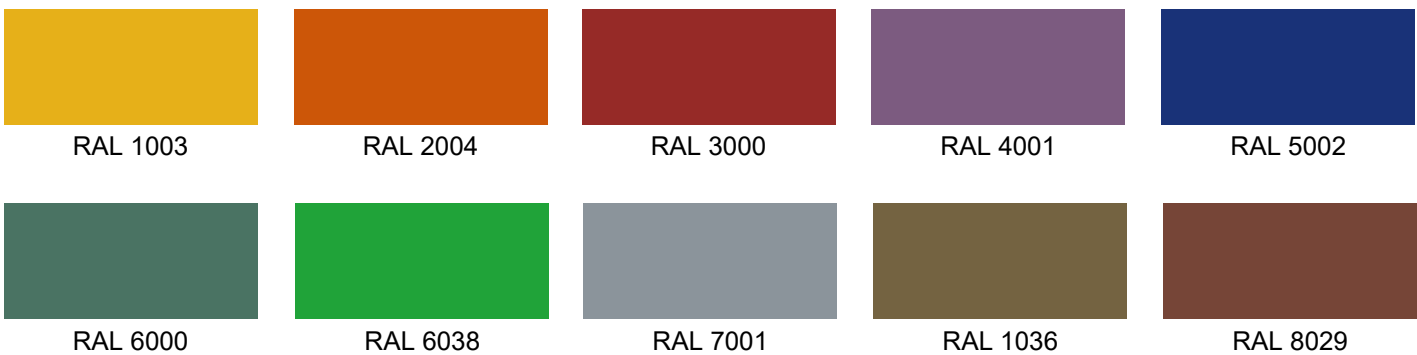
Project:	Type:
	Comments:

Finish Details (powder coat finish)

■ Standard Colors

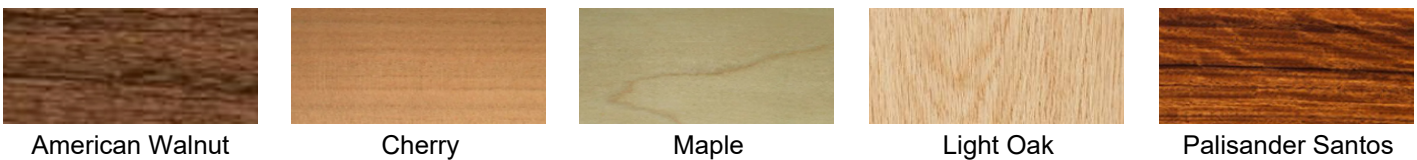


■ Custom Colors



Any RAL color available, please refer to ralcolorchart.com

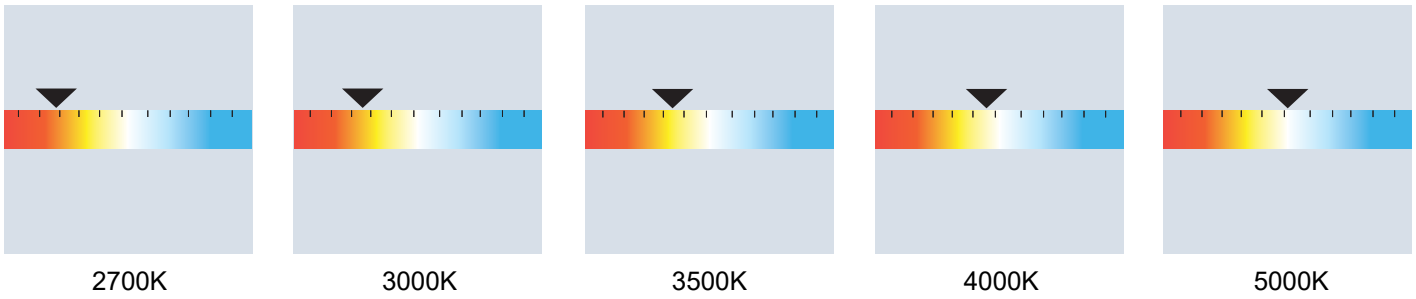
■ Custom Wooden Colors



Project:	Type:
	Comments:

Color Temperature

Color Temperature/CRI



Tunable White

