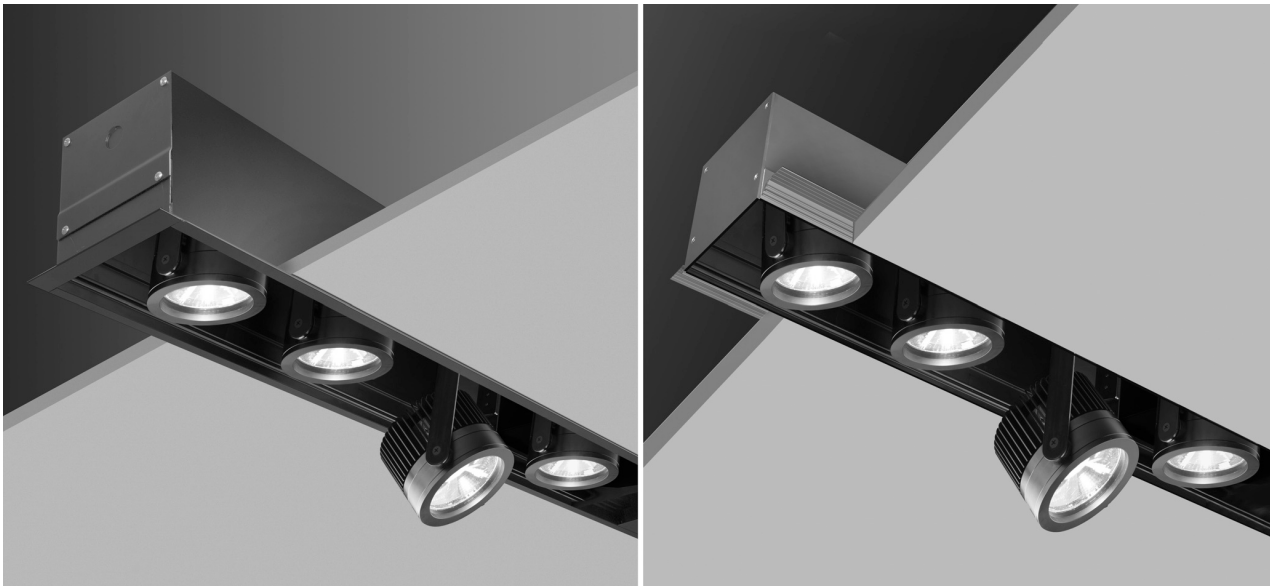


Project:	Type:
	Comments:



Highlights

Channel series is specification grade, modular, retractable spot light channel, with possibilities to create continuous runs and virtually unlimited pattern. Recessed into drywall, wood or grid ceilings. Wide ranging customization options, from custom lumen packages, length and finishes. Great and simple lighting solution for all modern interiors.

LED: Citizen LED chips, 2700-5000K, 90+CRI

Optical: Direct illumination, multiple beam angle options

Construction: High grade aluminum and sheet metal construction, powder coat finish, X, T, L Lit corners available for smooth, seamless patterns, damp location listed.

Installation



Project:	Type:
	Comments:

Configuration Example

Model #	Length	Spots	Lumen Output	Color Temp.	Beam Angle	Voltage
TECHOLED-CH-R-4-1-ME-40-24-U	4'	1	Medium	4000K	24°	110-270V

Ordering Guide:

Select one option from each group below. For a custom preference please contact sales@techoled.com

1-FIXTURE ID	2-LENGTH	3-SPOT	4-LUMEN OUTPUT
CH-R	4 4' C Custom	C Custom	LO Low ME Medium HI High

5-COLOR TEMP.	6-BEAM ANGLE	7-VOLTAGE	8-FINISH
27 2700K 30 3000K 35 3500K 40 4000K 50 5000K	15 15° 24 24° 38 38° 48 48°	U 110-277V HV 347V	B Black C Custom (RAL#) S Silver W White

9-MOUNTING	10-DRIVER OPTIONS	11-OPTIONS (CONT.)
RF Recessed with Flange RP Recessed (mud-in) TG9 TG9 TG15 TG15	DM 0-10V Dimming DM1% 1% Dimming LT1 LDE1 Lutron 1% LT2 DFC Lutron Vive RF LT3 FCJ Lutron ECO LT4 FCJ Lutron PowPak LT5 DFC Lutron Vive BM BubblyNet BT Mesh DA Dali X None	EM EM Battery (remote) X None

Project:	Type:
	Comments:

Lumen Output Details

Model #	Beam Angle	Output	Color Temp.	Wattage	Lumen Output
TECHOLED-CH-R-4-2-LO-40-24	24°	Low	4000K	26W	3432Lm
TECHOLED-CH-R-4-2-ME-40-24	24°	Medium	4000K	38W	4687Lm
TECHOLED-CH-R-4-2-HI-40-24	24°	High	4000K	49W	5658Lm

Performance above applies to 90 CRI, 4000K, 24°. Calculate 96% for 3000K, 104% for 5000K

Performance

Output	Lumens	W	Lm/W
Low	3432Lm	26W	132
Medium	4687Lm	38W	123
High	5658Lm	49W	115

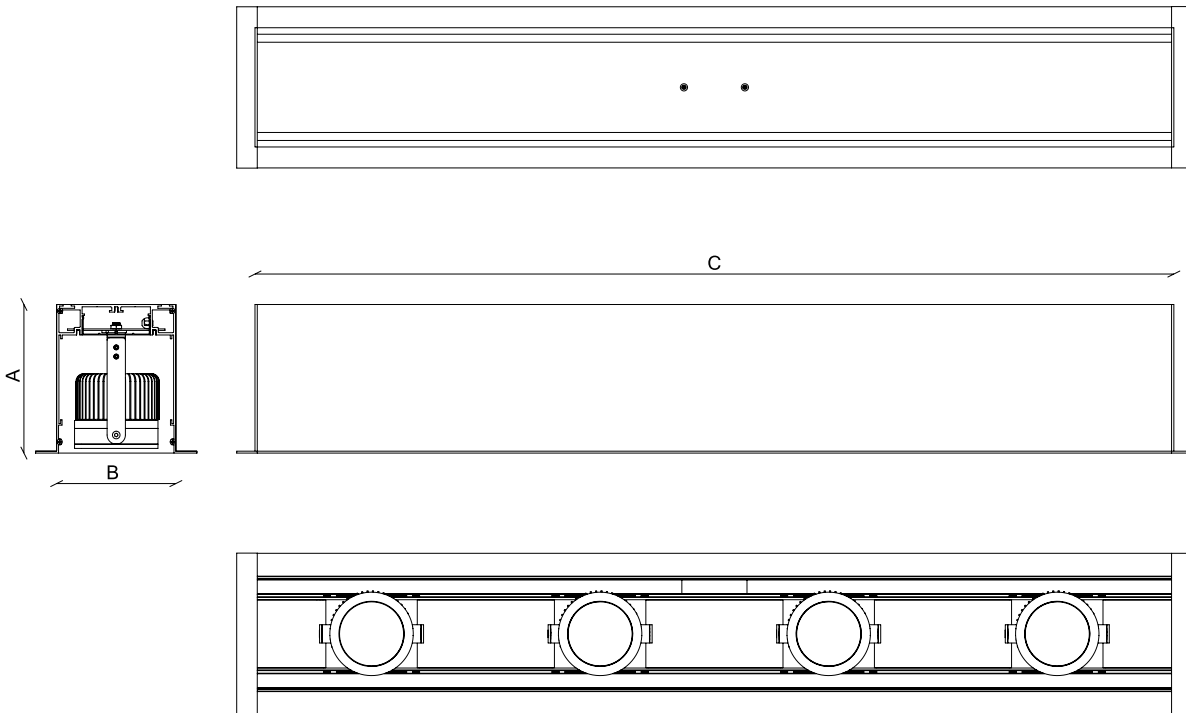
Driver Option Details

Code	Description
LT1	LDE1 - Lutron Hi-lume 1% EcoSystem, Soft-on, Fade-to Black Dimming
LT2	RFJ/FCJS-010 - Lutron RF PowPak (0-10V)
LT3	DFCSJ-OEM-RF - Lutron Vive In-Fixture Control (RF only)
LT4	DFCSJ-OEM-OCC - Lutron Vive In-Fixture Control (with daylight & occ/vac sensors)
LT5	FCJ/FCJS-ECO - Lutron Wireless PowPak (EcoSystem)
BM	Bluetooth Mesh Smart Wireless Control by BubbyNet

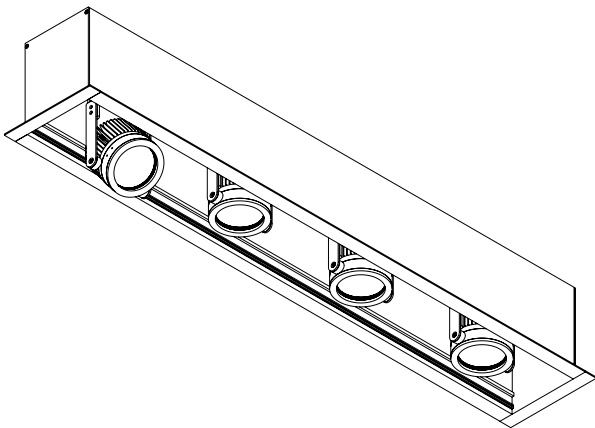
Project:	Type:
	Comments:

Dimension and Mounting

Recessed Mount (D)

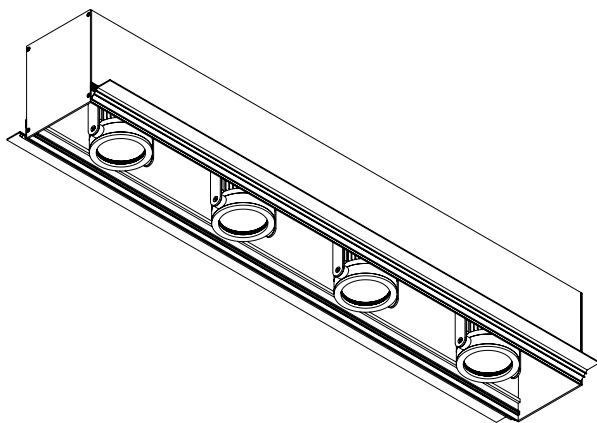
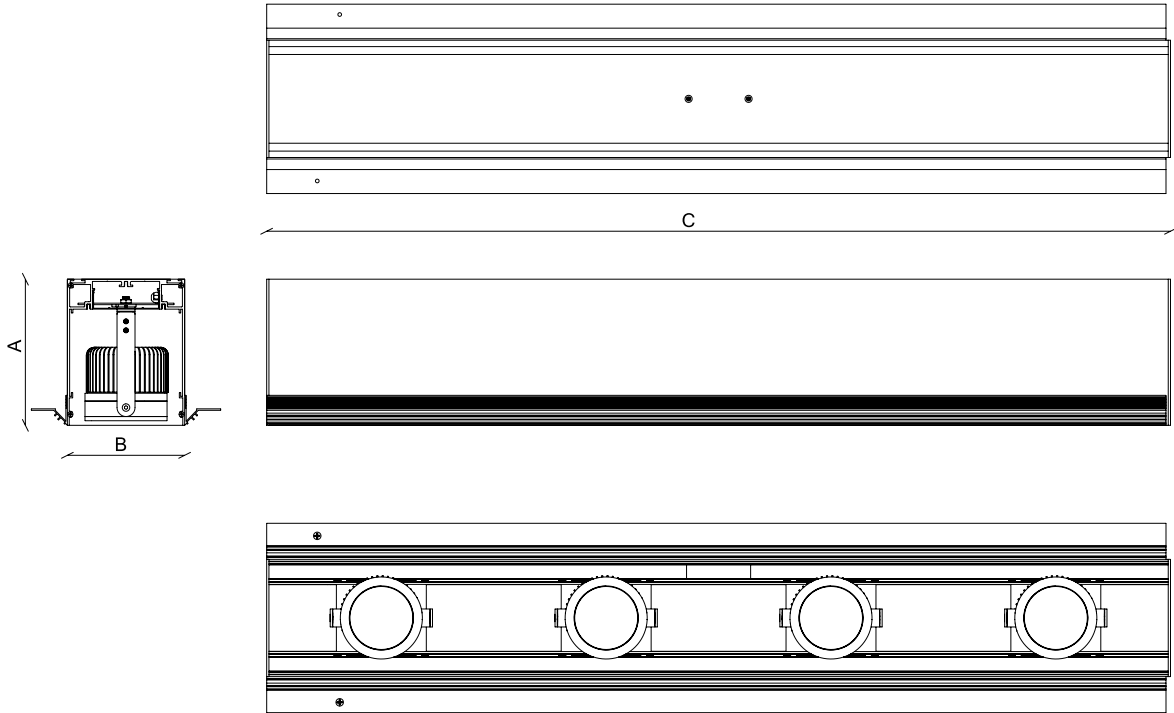


FIXTURE ID	A	B	C
CH-R-4	7.67"	6.18"	4'



Project:	Type:
	Comments:

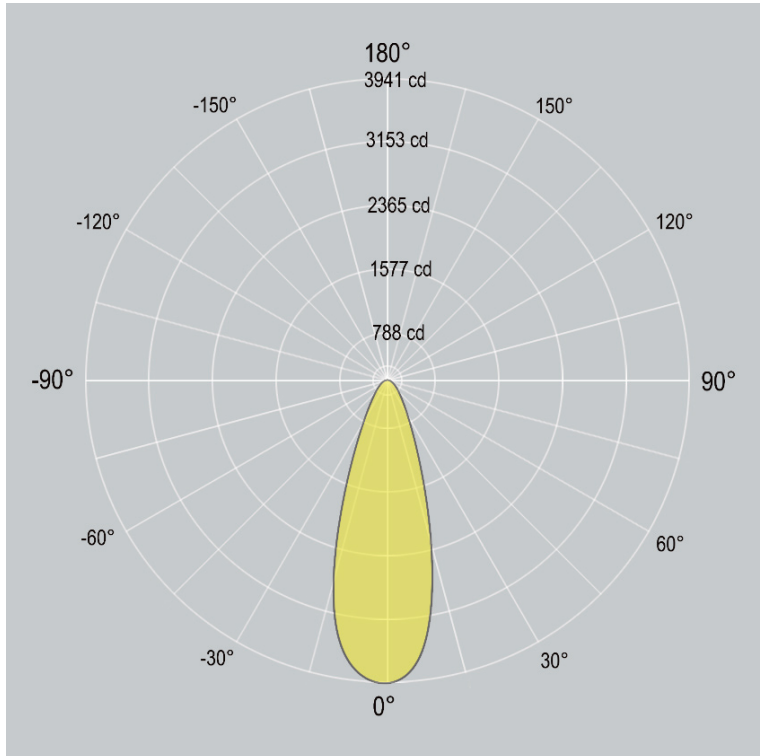
■ **Recessed Mount (D) - mud in**



FIXTURE ID	A	B	C
CH-R-4	7.67"	6.18"	4'

Project:	Type:
	Comments:

Photometrics



TECHOLED-CH-R-4-2-LO-40-24

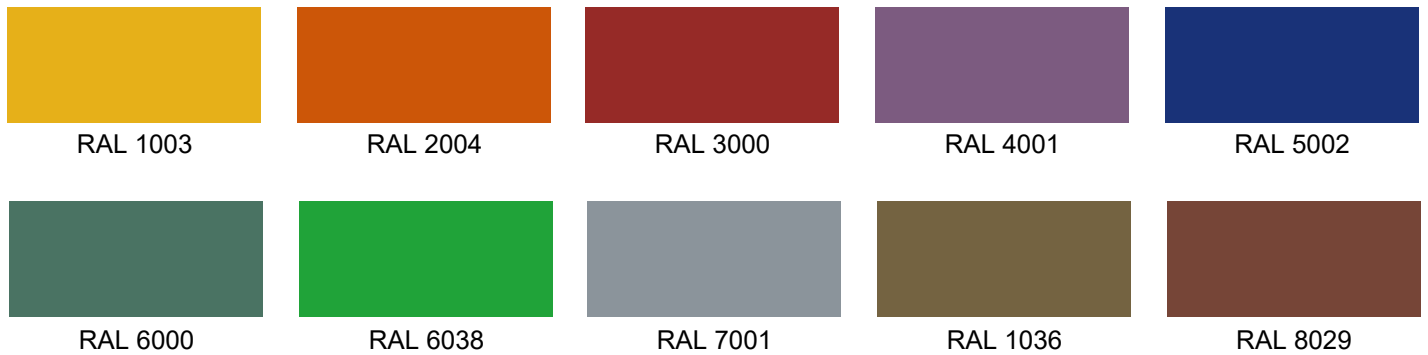
Project:	Type:
	Comments:

Finish Details (powder coat finish)

Standard Colors

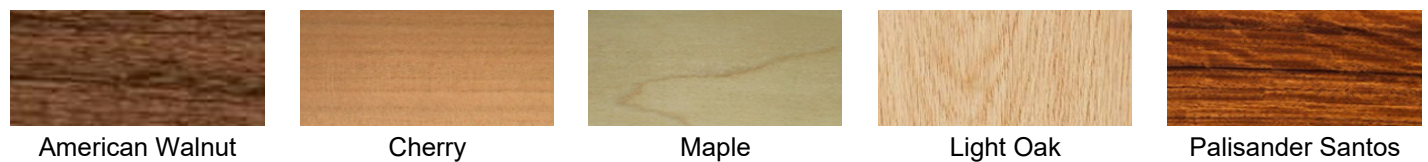


Custom Colors



Any RAL color available, please refer to ralcolorchart.com

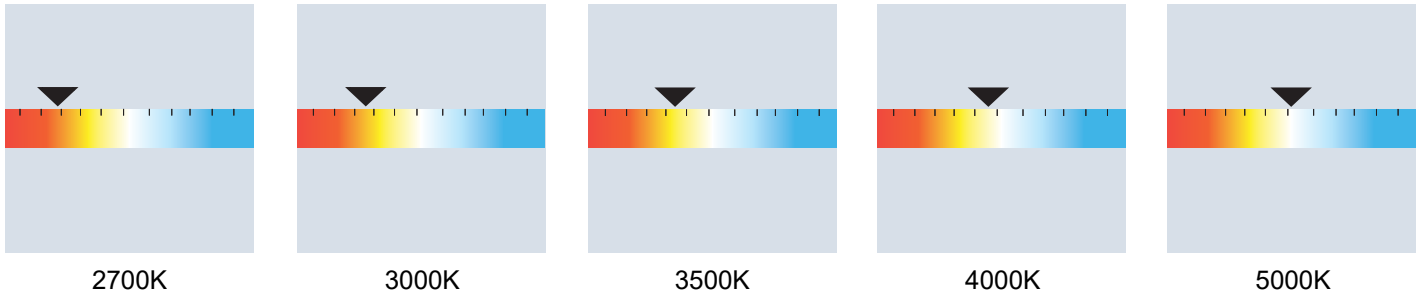
Custom Wooden Colors



Project:	Type:
	Comments:

Color Temperature

■ Color Temperature



■ Tunable White

