

Project:	Type:
Comments:	



### ▣ Highlights

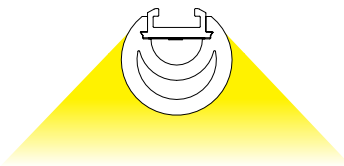
**CURV-270** is a smooth, seamless line of light with no visible breaks, dark spots, or diodes. It combines silicone and aluminum extrusion in precisely defined shapes and radii that flow through space. With both pendant and surfacemounted options, CURV-270 offers a creative lighting solution for modern interiors.

**LED:** Samsung LED chips, 2700-5000K, tunable white and RGB/RGBW available, 90CRI, 50,000 hour rated lifespan. Custom lumen packages available.

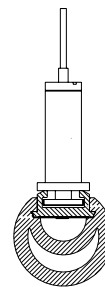
**Optical:** 270° illumination

**Construction:** Silicone and aluminum extrusion, continuous runs and curves, IP44 damp or IP66 wet location, 24V remote driver

### ▣ Cross Section



### ▣ Installation



Pendant (P)

Project:	Type:
	Comments:

### Configuration Example

Model #	Distribution	Length	Lumen Output	Color Temp.	Voltage
TECHOLED-CURV-270-C-ME-30-U-P-DM	270°	Custom	Medium	3000K	110-277V

### Ordering Guide:

Select one option from each group below. For a custom preference please contact [sales@techoled.com](mailto:sales@techoled.com)

1-FIXTURE ID	2-DISTRIBUTION	3-LENGTH	4-LUMEN OUTPUT
<b>CURV</b>	<b>270</b> 270°	<b>C</b> Custom	<b>ME</b> Medium <b>C</b> Custom

5-COLOR TEMP.	6-VOLTAGE	7-MOUNTING	8-IP RATING
<b>27</b> 2700K	<b>U</b> 110-277V	<b>P</b> Pendant	<b>IP44</b> Indoor - damp
<b>30</b> 3000K	<b>HV</b> 347V		<b>IP66</b> Outdoor - wet
<b>35</b> 3500K			
<b>40</b> 4000K			
<b>50</b> 5000K			
<b>DT</b> Lutron T-series			
<b>RGB</b> RGB			
<b>RGBW</b> RGBW			
<b>D</b> Tunable White			

9-DRIVER OPTIONS	10-OPTIONS	11-OPTIONS (CONT.)
<b>DM</b> 0-10V Dimming	<b>M</b> Motion Sensor (remote)	<b>EM</b> EM Battery (remote)
<b>DM1%</b> 1% Dimming	<b>X</b> None	<b>X</b> None
<b>LT1</b> LDE1 Lutron 1%		
<b>LT2</b> DFC Lutron Vive RF		
<b>LT3</b> FCJ Lutron ECO		
<b>LT4</b> FCJ Lutron PowPak		
<b>LT5</b> DFC Lutron Vive		
<b>BM</b> BubblyNet BT Mesh		
<b>DA</b> Dali		
<b>DMX</b> DMX		

Project:	Type:
	Comments:

### Lumen Output Detail

Model #	Distribution	Length	Output	Color Temp.	Lumens / W	W / Ft	Lumens / Ft
TECHOLED-CURV-270-C-ME-30	270°	Custom	Medium	3000K	82	4.39	360

### Driver Option Details

Code	Description
LT1	<b>LDE1</b> -Lutron Hi-lume 1% EcoSystem, Soft-on, Fade-to Black Dimming
LT2	<b>RFJ/FCJS-010</b> - Lutron RF PowPak (0-10V)
LT3	<b>DFCSJ-OEM-RF</b> - Lutron Vive In-Fixture Control (RF only)
LT4	<b>DFCSJ-OEM-OCC</b> - Lutron Vive In-Fixture Control (with daylight & occ/vac sensors)
LT5	<b>FCJ/FCJS-ECO</b> - Lutron Wireless PowPak (EcoSystem)
BM	Bluetooth Mesh Smart Wireless Control by BubblyNet
DMX	DMX - Decoder provided by TechoLED - controller by others

### Color Temperature Details

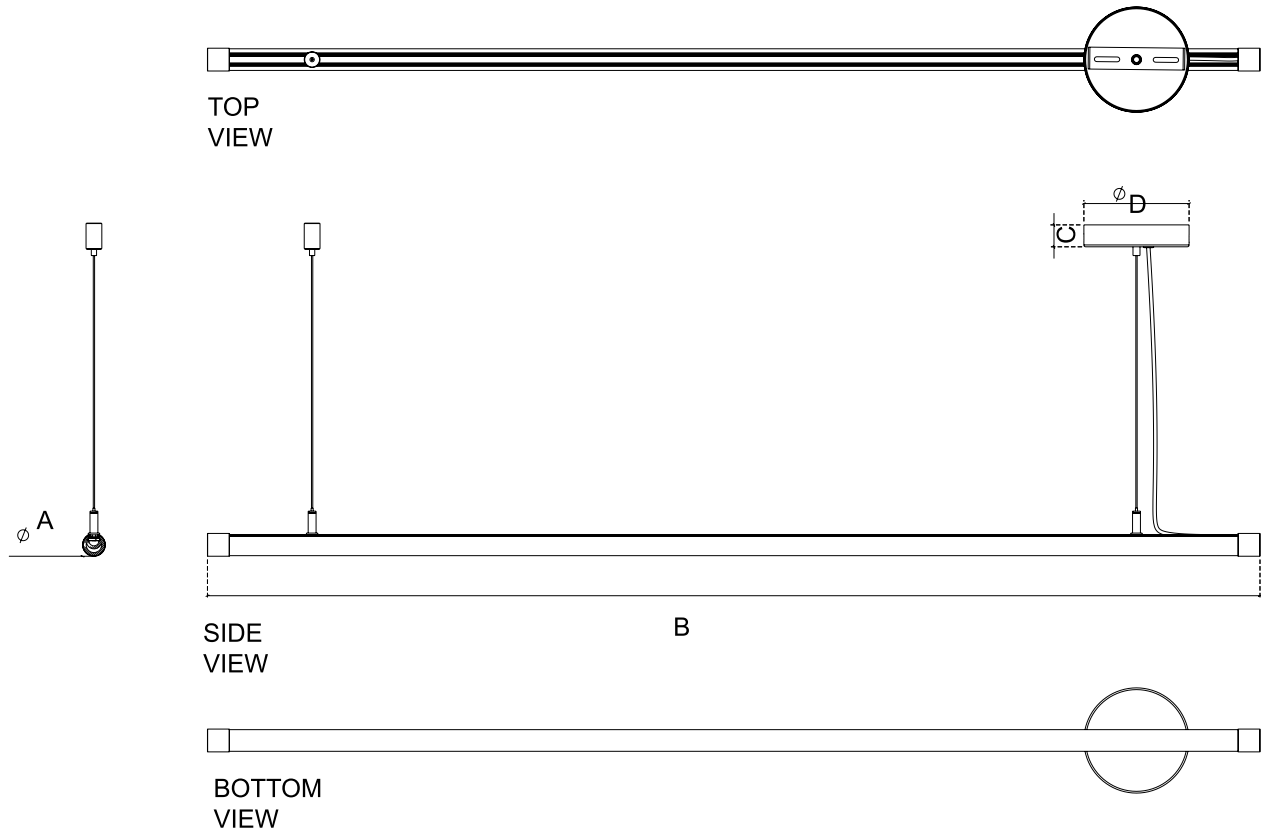
Code	Description
DT	<b>LDTTW</b> - Lutron Digital T-Series Tunable White

### Length Details

Code	Description
C	Custom, Drawing required (consult factory)

Project:	Type:
	Comments:

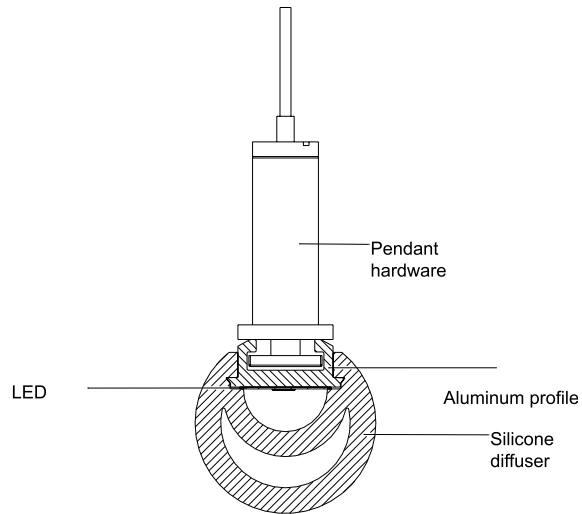
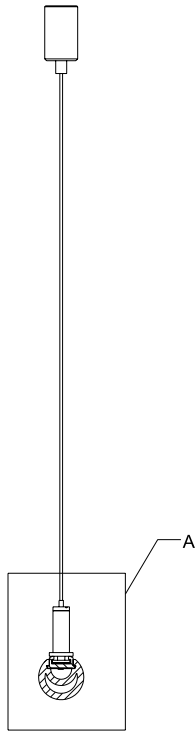
### Dimensions and Mounting



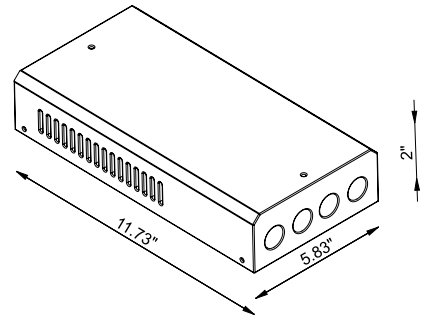
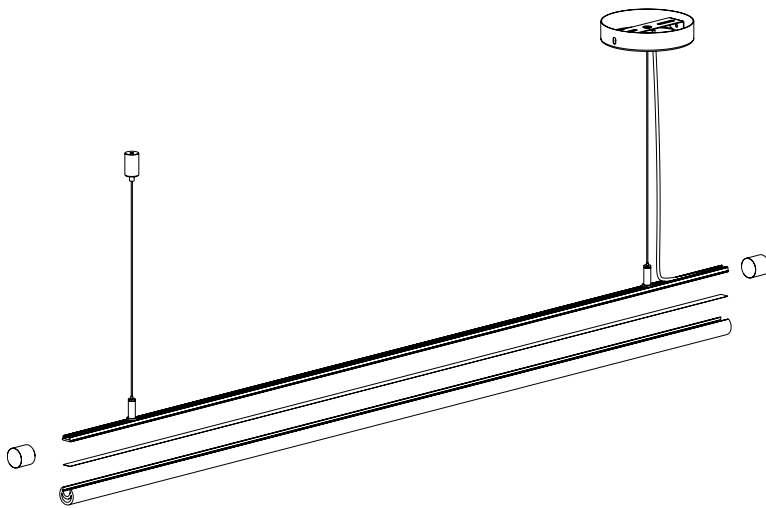
A	B	C	D
0.97"	custom	0.98"	4.72"

Project:	Type:
	Comments:

### Dimension and Mounting - Continued



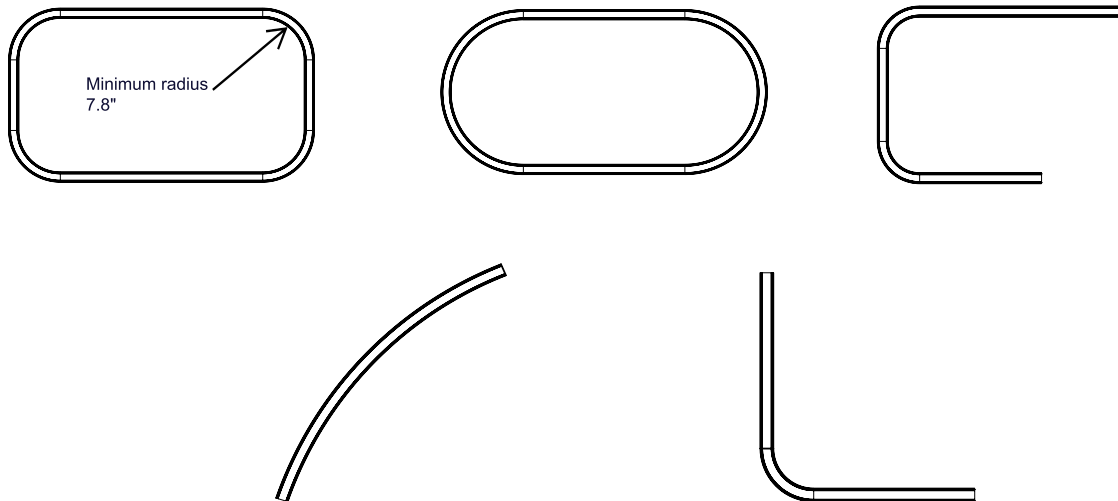
DETAIL A  
SCALE 2 :  
1



Project:	Type:
	Comments:

### Photometrics

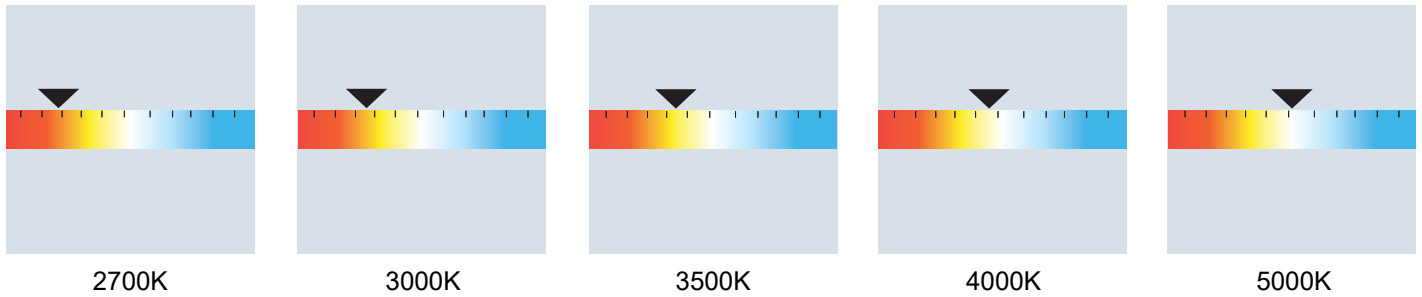
### Patterns Option Examples



Project:	Type:
	Comments:

### Color Temperature

#### Color Temperature



#### Tunable White

