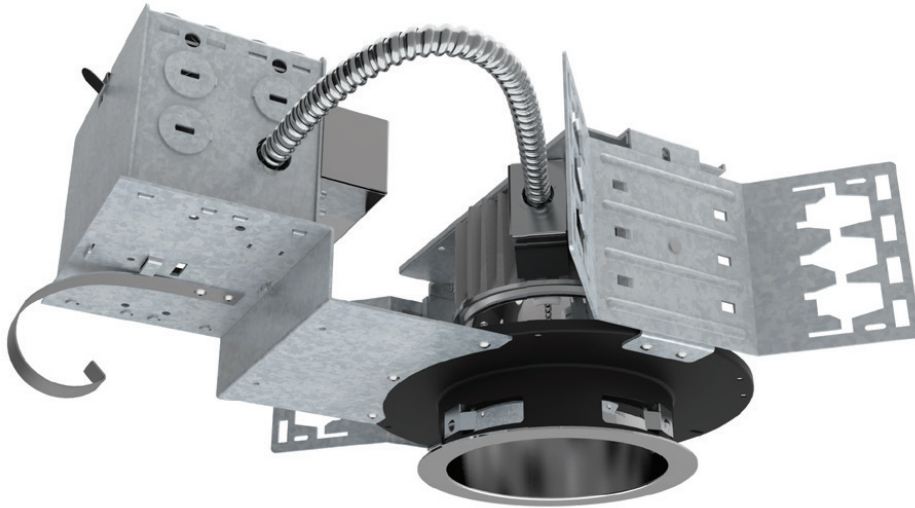


Project:	Type:
	Comments:



Highlights

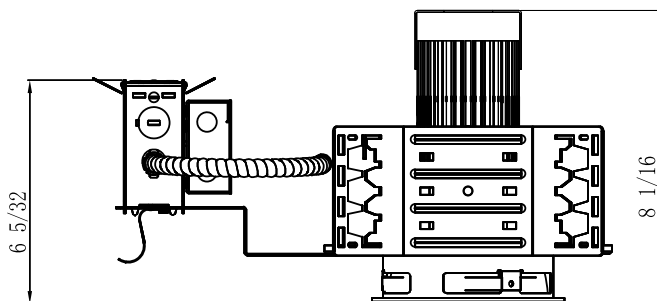
DL-R-4 Series are specification grade downlights, featuring simple look, high efficacy and high-quality components. Designed for new construction recessed applications, available in wide variety of color temperature and lumen outputs, as well as multiple trim and reflector finish options. Great lighting solution for any modern interior.

LED: Samsung LED Chips, 2700-5000K, 80CRI (90CRI optional)

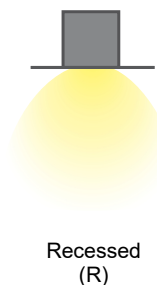
Optical: 4" aperture, 60° Beam angle

Construction: High grade aluminum and sheet metal construction, Integral driver, Powder coat finish

Cross Section



Installation



Project:	Type:
	Comments:

Configuration Example

Model #	Lens	Reflector	Output	Color Temp.	Voltage
TECHOLED-DL-R-4-CR-C-11-27-U	Clear Tempered	Clear	11W	2700K	110-277V

Ordering Guide:

Select one option from each group below. For a custom preference please contact sales@techoled.com

1-FIXTURE ID	2-LENS	3-REFLECTOR	4-OUTPUT
DL-R-4 DL-R-4	CR Clear Tempered SM Sand Blasted	C Clear HZ Haze W White	11 11W 15 15W 18 18W 25 25W

5-COLOR TEMPERATURE	6-VOLTAGE	7-TRIM	8-FRAME OPTIONS
27 2700K 30 3000K 35 3500K 40 4000K 50 5000K	U 120-277V	SFB Self-flanged Black SFW Self-flanged White TL Trimless	CB C-Channel Bar Hanger FB Flat Bar Hanger WB Wood Joist Bar Hanger

9-DRIVER OPTIONS	10-OPTIONS
DM 0-10V Dimming DM1% 1% Dimming LT1 LDE1 Lutron 1% LT2 DFC Lutron Vive RF LT3 FCJ Lutron ECO LT4 FCJ Lutron PowPak LT5 DFC Lutron Vive BM BubblyNet BT Mesh DA Dali X None	EM EM Battery (remote) X None

Project:	Type:
	Comments:

Driver Option Details

Code	Description
LT1	LDE1 -Lutron Hi-lume 1% EcoSystem, Soft-on, Fade-to Black Dimming
LT2	RFJ/FCJS-010 - Lutron RF PowPak (0-10V)
LT3	DFCSJ-OEM-RF - Lutron Vive In-Fixture Control (RF only)
LT4	DFCSJ-OEM-OCC - Lutron Vive In-Fixture Control (with daylight & occ/vac sensors)
LT5	FCJ/FCJS-ECO - Lutron Wireless PowPak (EcoSystem)
BM	Bluetooth Mesh Smart Wireless Control by BubblyNet

Options (cont.) Details

Code	Description
EM	Emergency Battery Backup (remote)

Lumen Output

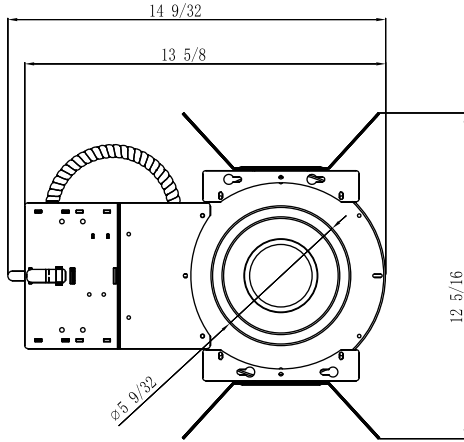
Model #	Size	Wattage	Color Temp.	Lumen Output
TECHOLED-DL-R-4-CR-HZ-11	4"	11W	3000K	1100Lm
TECHOLED-DL-R-4-CR-HZ-15	4"	15W	3000K	1500Lm
TECHOLED-DL-R-4-CR-HZ-18	4"	18W	3000K	1800Lm
TECHOLED-DL-R-4-CR-HZ-25	4"	25W	3000K	2500Lm

Performance above applies to 3000K. Calculate 96% for 2700K, 104% for 3500K and 109% for 4000K

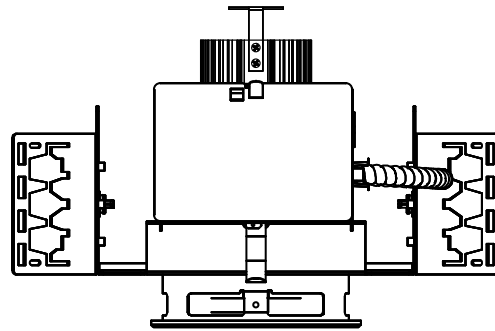
Project:	Type:
	Comments:

Product detail

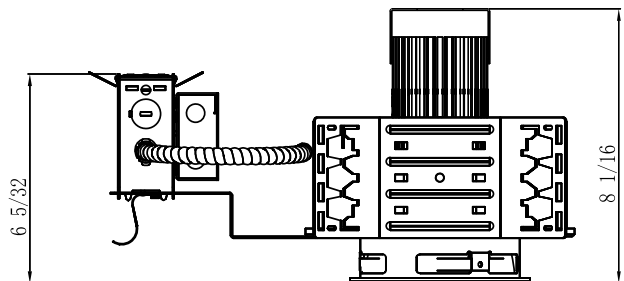
DL-R-4



Dimensions



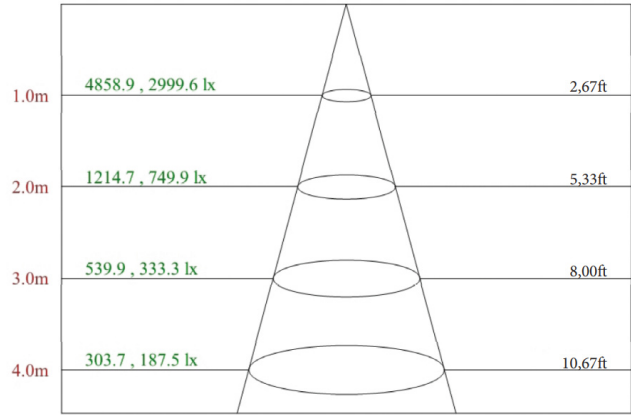
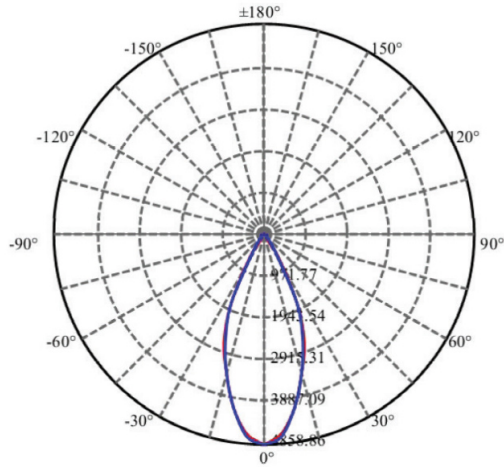
Technical Details



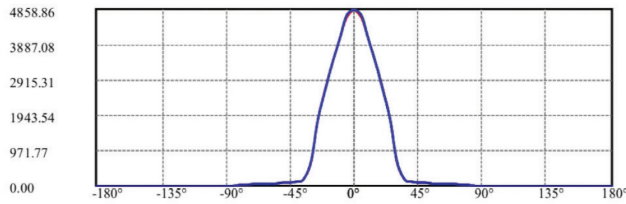
Cross Section

Project:	Type:
	Comments:

Photometrics



Max , Ave Beam angle of C0 plane 44.24

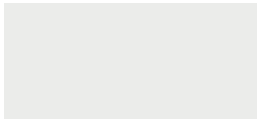


C0(Max): —
 C0/C180: —
 C90/C270: —
 Field angle(10%Imax):C0/180Left:31.8 Right:31.8
 :C90/270Left:32.1 Right:32.1
 Beam Angle(50%Imax):C0/180Left:21.4 Right:21.4
 :C90/270Left:21.4 Right:21.4

Project:	Type:
	Comments:

Finish Details (powder coat finish)

Standard Colors (Trim)



W – White



B – Black

Custom Colors



RAL 1003



RAL 2004



RAL 3000



RAL 4001



RAL 5002



RAL 6000



RAL 6038



RAL 7001



RAL 1036



RAL 8029

Any RAL color available, please refer to ralcolorchart.com