

Project:	Type:
	Comments:



### Highlights

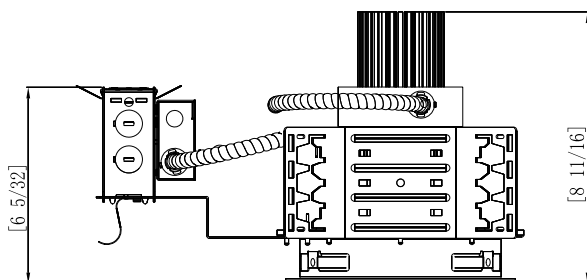
DL-R-6 Series are specification grade downlights, featuring simple look, high efficacy and high-quality components. Designed for new construction recessed applications, available in wide variety of color temperature and lumen outputs, as well as multiple trim and reflector finish options. Great lighting solution for any modern interior.

**LED:** Samsung LED Chips, 2700-5000K, 80CRI (90CRI optional)

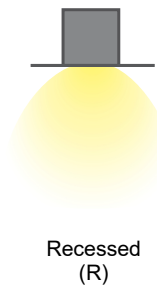
**Optical:** 6" aperture, 60° Beam angle

**Construction:** High grade aluminum and sheet metal construction, Integral driver, Powder coat finish

### Cross Section



### Installation



Project:	Type:
	Comments:

### Configuration Example

Model #	Lens	Reflector	Output	Color Temp.	Voltage
TECHOLED-DL-R-6-CR-C-20-27-U	Clear Tempered	Clear	20W	2700K	110-277V

### Ordering Guide:

Select one option from each group below. For a custom preference please contact [sales@techoled.com](mailto:sales@techoled.com)

1-FIXTURE ID	2-LENS	3-REFLECTOR	4-OUTPUT
<b>DL-R-6</b> DL-R-6	<b>CR</b> Clear Tempered	<b>C</b> Clear	<b>20</b> 20W
	<b>SM</b> Sand Blasted	<b>HZ</b> Haze	<b>25</b> 25W
		<b>W</b> White	<b>30</b> 30W
			<b>32</b> 32W
			<b>32H</b> 32W (107Lm/W)

5-COLOR TEMPERATURE	6-VOLTAGE	7-TRIM	8-FRAME OPTIONS
<b>27</b> 2700K	<b>U</b> 120-277V	<b>SFB</b> Self-flanged Black	<b>CB</b> C-Channel Bar Hanger
<b>30</b> 3000K		<b>SFW</b> Self-flanged White	<b>FB</b> Flat Bar Hanger
<b>35</b> 3500K		<b>TL</b> Trimless	<b>WB</b> Wood Joist Bar Hanger
<b>40</b> 4000K			
<b>50</b> 5000K			

9-DRIVER OPTIONS	10-OPTIONS
<b>DM</b> 0-10V Dimming	<b>EM</b> EM Battery (remote)
<b>DM1%</b> 1% Dimming	<b>X</b> None
<b>LT1</b> LDE1 Lutron 1%	
<b>LT2</b> DFC Lutron Vive RF	
<b>LT3</b> FCJ Lutron ECO	
<b>LT4</b> FCJ Lutron PowPak	
<b>LT5</b> DFC Lutron Vive	
<b>BM</b> BubblyNet BT Mesh	
<b>DA</b> Dali	
<b>X</b> None	

Project:	Type:
	Comments:

### Driver Option Details

Code	Description
LT1	<b>LDE1</b> -Lutron Hi-lume 1% EcoSystem, Soft-on, Fade-to Black Dimming
LT2	<b>RFJ/FCJS-010</b> - Lutron RF PowPak (0-10V)
LT3	<b>DFCSJ-OEM-RF</b> - Lutron Vive In-Fixture Control (RF only)
LT4	<b>DFCSJ-OEM-OCC</b> - Lutron Vive In-Fixture Control (with daylightlights & occ/vac sensors)
LT5	<b>FCJ/FCJS-ECO</b> - Lutron Wireless PowPak (EcoSystem)
BM	Bluetooth Mesh Smart Wireless Control by BubblyNet

### Options (cont.) Details

Code	Description
EM	Emergency Battery Backup (remote)

### Lumen Output

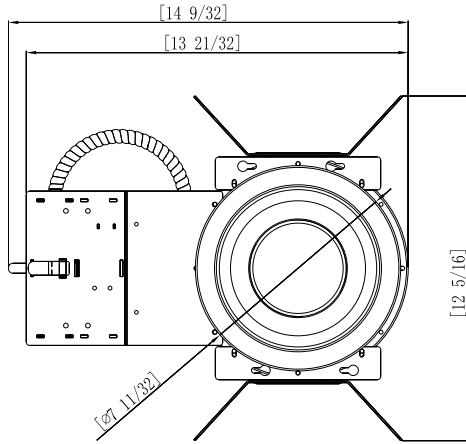
Model #	Size	Wattage	Color Temp.	Lumen Output
TECHOLED-DL-R-6-CR-HZ-20	6"	20W	3000K	2000Lm
TECHOLED-DL-R-6-CR-HZ-25	6"	25W	3000K	2500Lm
TECHOLED-DL-R-6-CR-HZ-30	6"	30W	3000K	3000Lm
TECHOLED-DL-R-6-CR-HZ-32	6"	32W	3000K	3424Lm

Performance above applies to 3000K. Calculate 96% for 2700K, 104% for 3500K and 109% for 4000K

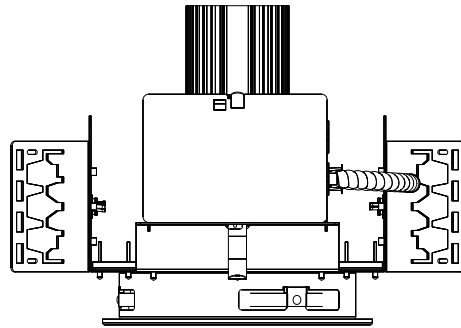
Project:	Type:
	Comments:

### Product detail

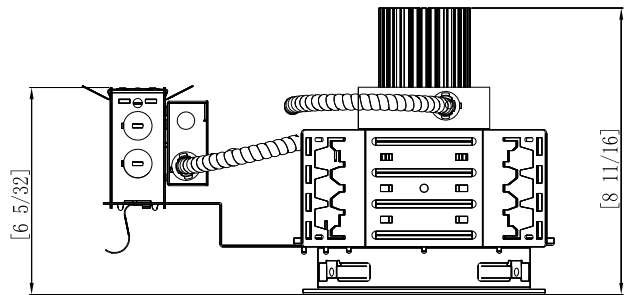
#### DL-R-6



Dimensions



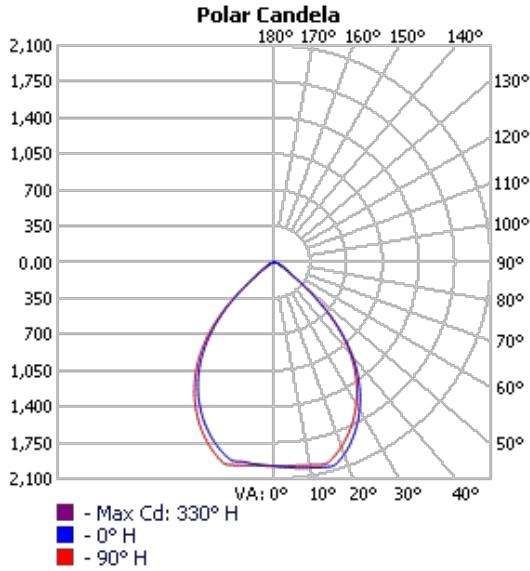
Technical Details



Cross Section

Project:	Type:
	Comments:

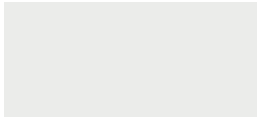
### Photometrics



Project:	Type:
	Comments:

### Finish Details (powder coat finish)

#### Standard Colors (Trim)



W – White



B – Black

#### Custom Colors



RAL 1003



RAL 2004



RAL 3000



RAL 4001



RAL 5002



RAL 6000



RAL 6038



RAL 7001



RAL 1036



RAL 8029

Any RAL color available, please refer to [ralcolorchart.com](http://ralcolorchart.com)