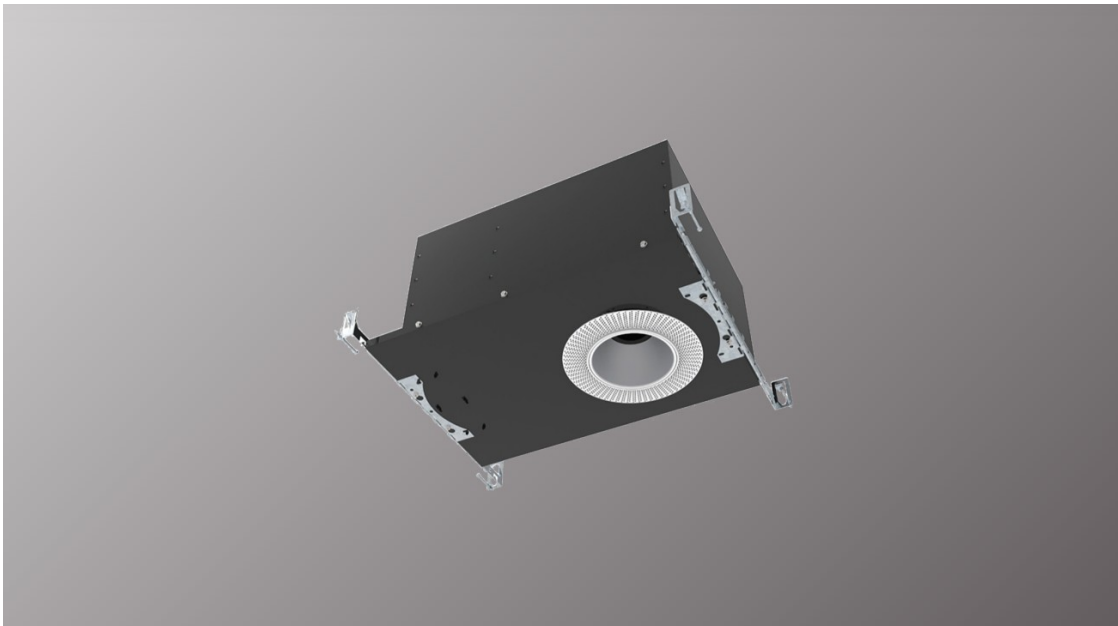


Project:	Type:
	Comments:



### Highlights

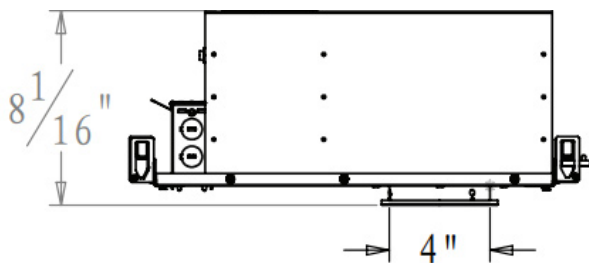
DL-R-G Series are specification grade, 4" aperture gimbal downlights, featuring simple look, high efficacy and high-quality components. Designed for new construction recessed applications, available in wide variety of color temperature and lumen outputs, as well as multiple trim and reflector finish options. Great for illuminating walls, signage and products.

**LED:** Samsung LED Chips, 2700-5000K, 80CRI (90CRI optional)

**Optical:** Adjustable 360° horizontally and 30° vertically

**Construction:** High grade aluminum and sheet metal construction, Integral driver, Powder coat finish

### Cross Section



### Installation



Project:	Type:
	Comments:

### Configuration Example

Model #	Optics	Wattage	Color Temp.	Beam Angle	Voltage
TECHOLED-DL-R-G-A-12-27-12-U	Adjustable/Gimbal	12W	2700K	12°	110-277V

### Ordering Guide:

Select one option from each group below. For a custom preference please contact [sales@techoled.com](mailto:sales@techoled.com)

1-FIXTURE ID	2-OPTICS	3-WATTAGE	4-COLOR TEMPERATURE
<b>DL-R-G</b> DL-R-G	<b>A</b> Adjustable/Gimbal	<b>12</b> 12W	<b>27</b> 2700K
	<b>V</b> Vertical	<b>15</b> 15W	<b>30</b> 3000K
	<b>W</b> Wall Wash	<b>20</b> 20W	<b>35</b> 3500K
			<b>40</b> 4000K
			<b>50</b> 5000K

5-BEAM ANGLE	6-VOLTAGE	7-VOLTAGE	8-TRIM
<b>12</b> 12°	<b>U</b> 110-277V	<b>U</b> 110-277V	<b>WT</b> White Trim
<b>24</b> 24°			<b>BT</b> Black Trim
<b>36</b> 36°			<b>TL</b> Trimless
<b>54</b> 54°			

9-DRIVER OPTIONS	10-OPTIONS	11-OPTIONS (CONT.)
<b>DM</b> 0-10V Dimming	<b>IC</b> IC Rated	<b>EM</b> EM Battery (remote)
<b>DM1%</b> 1% Dimming	<b>X</b> Non IC Rated	<b>X</b> None
<b>LT1</b> LDE1 Lutron 1%		
<b>LT2</b> DFC Lutron Vive RF		
<b>LT3</b> FCJ Lutron ECO		
<b>X</b> None		
<b>LT4</b> FCJ Lutron PowPak		
<b>LT5</b> DFC Lutron Vive		
<b>BM</b> BubblyNet BT Mesh		
<b>DA</b> Dali		

Project:	Type:
	Comments:

### Driver Option Details

Code	Description
LT1	<b>LDE1</b> -Lutron Hi-lume 1% EcoSystem, Soft-on, Fade-to Black Dimming
LT2	<b>RFJ/FCJS-010</b> - Lutron RF PowPak (0-10V)
LT3	<b>DFCSJ-OEM-RF</b> - Lutron Vive In-Fixture Control (RF only)
LT4	<b>DFCSJ-OEM-OCC</b> - Lutron Vive In-Fixture Control (with daylight & occ/vac sensors)
LT5	<b>FCJ/FCJS-ECO</b> - Lutron Wireless PowPak (EcoSystem)
BM	Bluetooth Mesh Smart Wireless Control by BubblyNet

### Options (cont.) Details

Code	Description
EM	Emergency Battery Backup (remote)

### Lumen Output

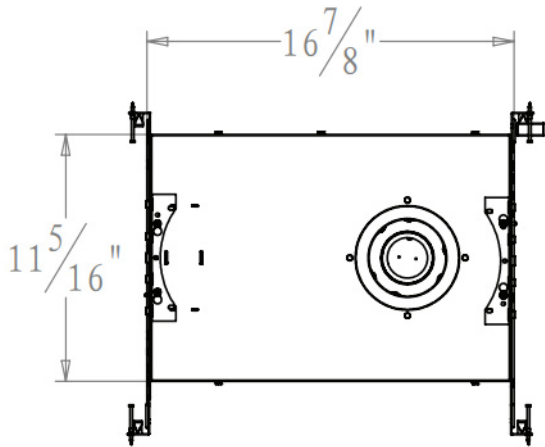
Model #	Size	Wattage	Distribution	Color Temp.	Lumen Output
TECHOLED-DL-R-G-A-12	4"	12W	Adjustable/Gimbal	3000K	1200Lm
TECHOLED-DL-R-G-A-15	4"	15W	Adjustable/Gimbal	3000K	1500Lm
TECHOLED-DL-R-G-A-20	4"	20W	Adjustable/Gimbal	3000K	2000Lm

Performance above applies to 3000K. Calculate 96% for 2700K, 104% for 3500K and 109% for 4000K

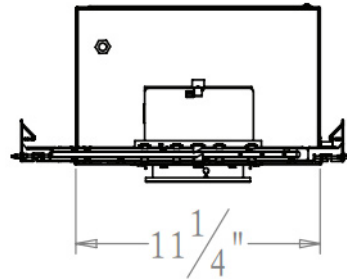
Project:	Type:
	Comments:

**Product detail**

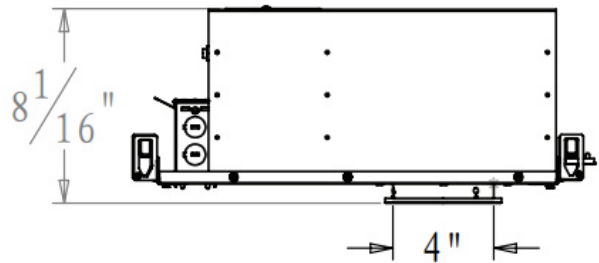
**DL-R-G**



Dimensions



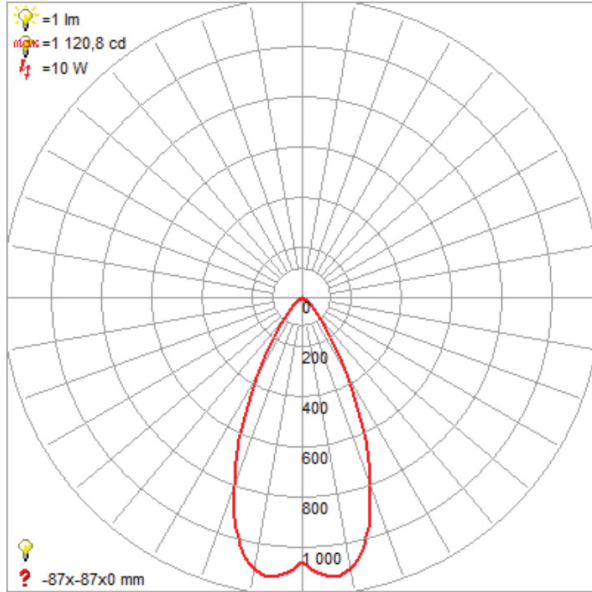
Technical Details



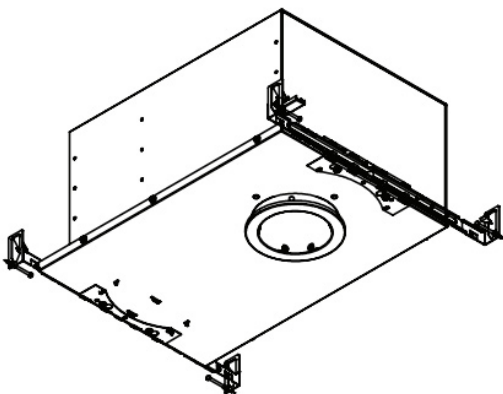
Cross Section

Project:	Type:
	Comments:

### Photometrics



### Mounting Option



Project:	Type:
	Comments:

### Finish Details (powder coat finish)

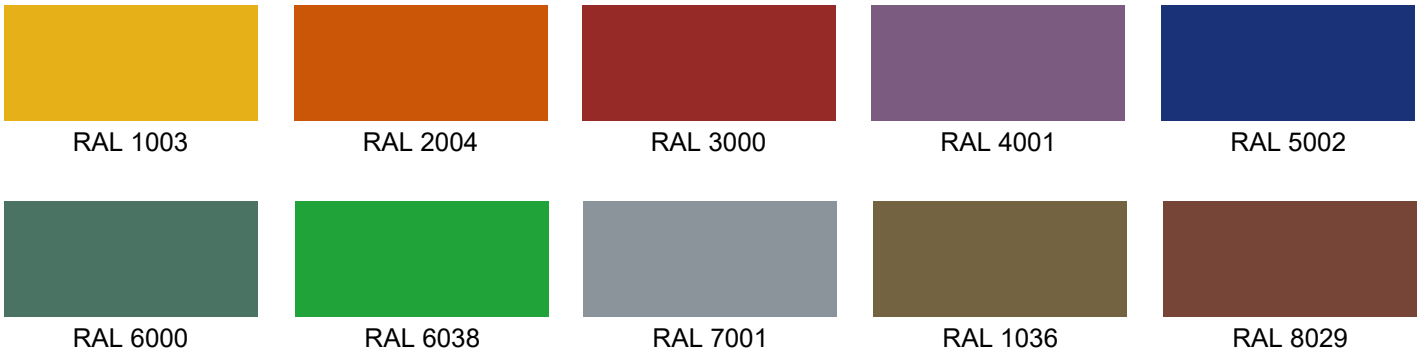
#### ■ Standard Colors (Trim)



#### ■ Standard Colors



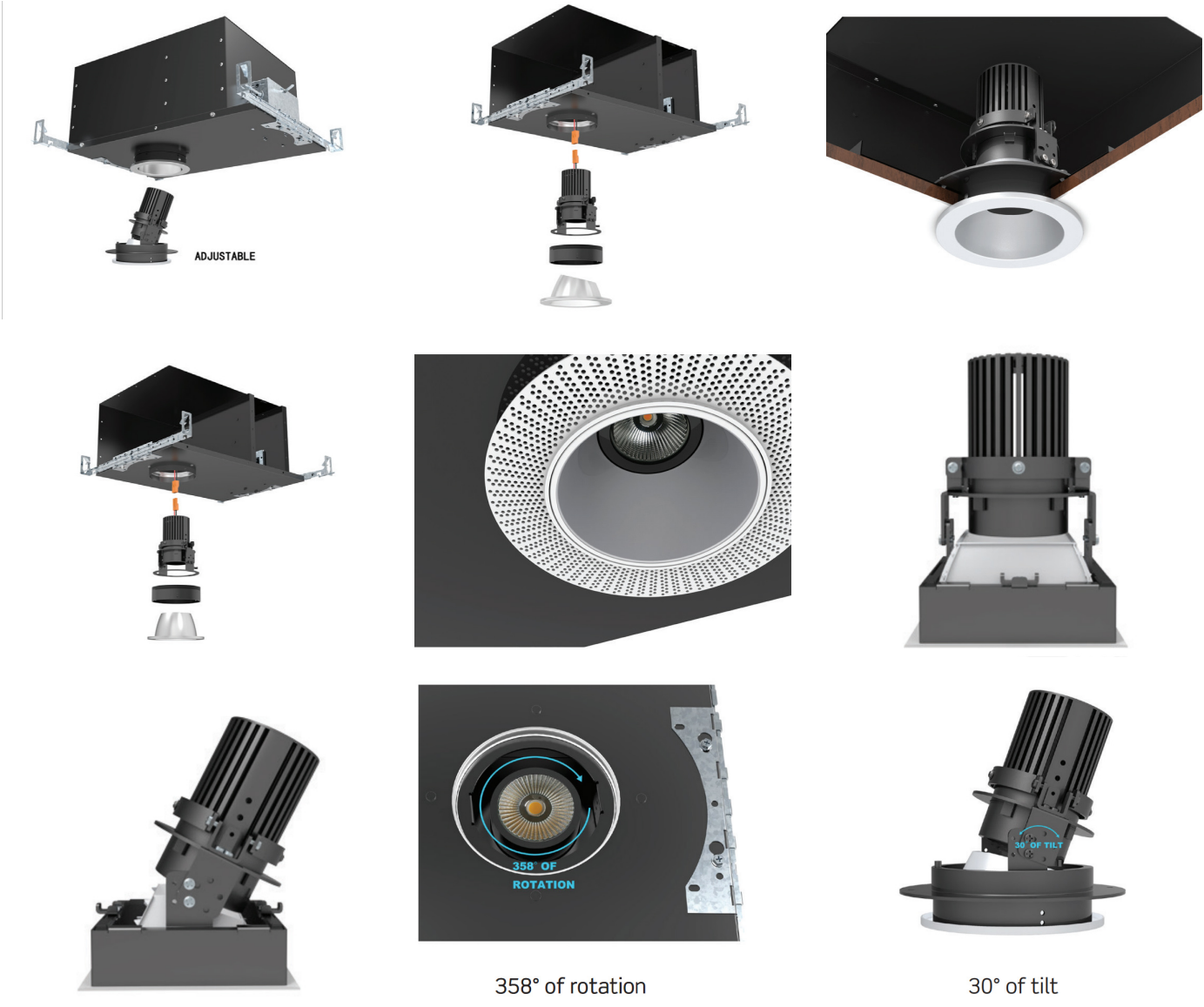
#### ■ Custom Colors



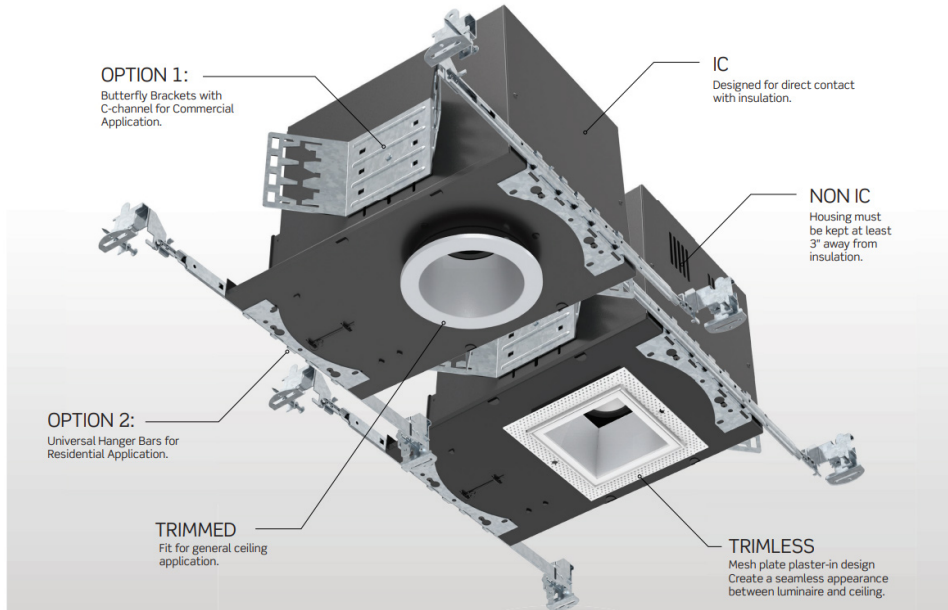
Any RAL color available, please refer to [ralcolorchart.com](http://ralcolorchart.com)

Project:	Type:
	Comments:

### Optics Option



Project:	Type:
	Comments:



### IC Options

