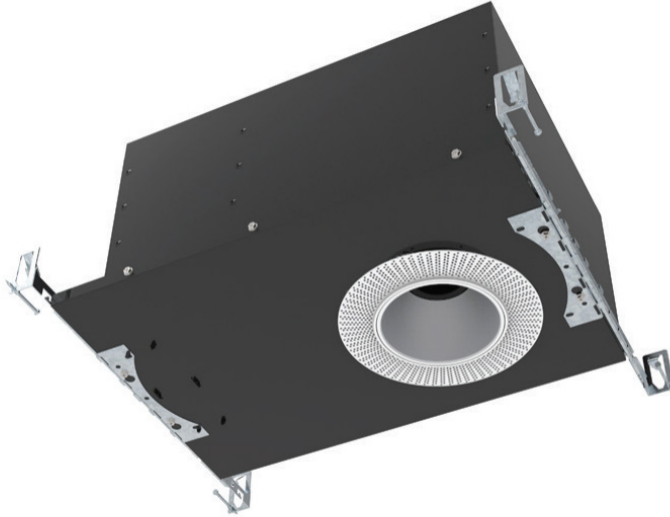


Project:	Type:
	Comments:



Highlights

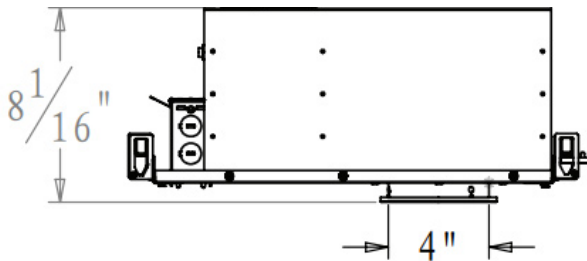
DL-R-G Series are specification grade, 4" aperture gimbal downlights, featuring simple look, high efficacy and high-quality components. Designed for new construction recessed applications, available in wide variety of color temperature and lumen outputs, as well as multiple trim and reflector finish options. Great for illuminating walls, signage and products.

LED: Samsung LED Chips, 2700-5000K, 80CRI (90CRI optional)

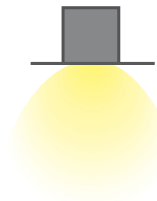
Optical: Adjustable 360° horizontally and 30° vertically

Construction: High grade aluminum and sheet metal construction, Integral driver, Powder coat finish

Cross Section



Installation



Recessed (R)

Project:	Type:
	Comments:

Configuration Example

Model #	Optics	Wattage	Color Temp.	Beam Angle	Voltage
TECHOLED-DL-R-G-A-12-27-12-U	Adjustable/Gimbal	12W	2700K	12°	110-277V

Ordering Guide:

Select one option from each group below. For a custom preference please contact sales@techoled.com

1-FIXTURE ID	2-OPTICS	3-WATTAGE	4-COLOR TEMP.
DL-R-G DL-R-G	A Adjustable/Gimbal	12 12W	27 2700K
	V Vertical	15 15W	30 3000K
	W Wall Wash	20 20W	35 3500K
			40 4000K
			50 5000K

5-BEAM ANGLE	6-VOLTAGE	7-FINISH	8-TRIM
12 12°	U 110-277V	W White	WT White Trim
24 24°		B Black	BT Black Trim
36 36°		SN Satin Nickel	TL Trimless
54 54°			

9-DRIVER OPTIONS	10-OPTIONS	11-OPTIONS (CONT.)
DM 0-10V Dimming	IC IC Rated	EM EM Battery (remote)
DM1% 1% Dimming	X Non IC Rated	X None
LT1 LDE1 Lutron 1%		
LT2 DFC Lutron Vive RF		
LT3 FCJ Lutron ECO		
X None		
LT4 FCJ Lutron PowPak		
LT5 DFC Lutron Vive		
BM BubblyNet BT Mesh		
DA Dali		

Project:	Type:
	Comments:

Driver Option Details

Code	Description
LT1	LDE1 -Lutron Hi-lume 1% EcoSystem, Soft-on, Fade-to Black Dimming
LT2	RFJ/FCJS-010 - Lutron RF PowPak (0-10V)
LT3	DFCSJ-OEM-RF - Lutron Vive In-Fixture Control (RF only)
LT4	DFCSJ-OEM-OCC - Lutron Vive In-Fixture Control (with daylight & occ/vac sensors)
LT5	FCJ/FCJS-ECO - Lutron Wireless PowPak (EcoSystem)
BM	Bluetooth Mesh Smart Wireless Control by BubblyNet

Options (cont.) Details

Code	Description
EM	Emergency Battery Backup (remote)

Lumen Output

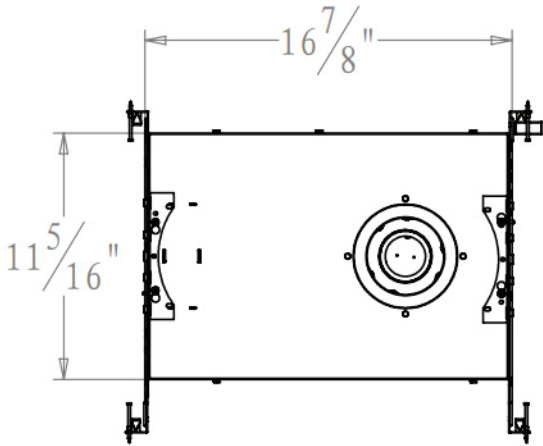
Model #	Size	Wattage	Distribution	Color Temp.	Lumen Output
TECHOLED-DL-R-G-A-12	4"	12W	Adjustable/Gimbal	3000K	1200Lm
TECHOLED-DL-R-G-A-15	4"	15W	Adjustable/Gimbal	3000K	1500Lm
TECHOLED-DL-R-G-A-20	4"	20W	Adjustable/Gimbal	3000K	2000Lm

Performance above applies to 3000K. Calculate 96% for 2700K, 104% for 3500K and 109% for 4000K

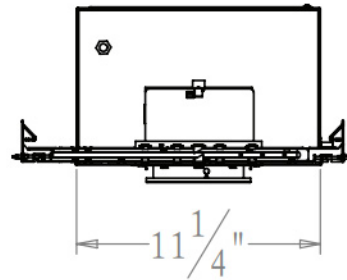
Project:	Type:
	Comments:

Product detail

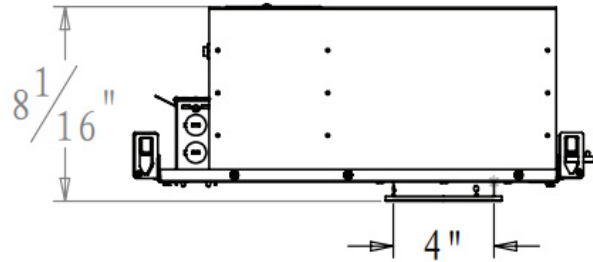
DL-R-G



Dimensions



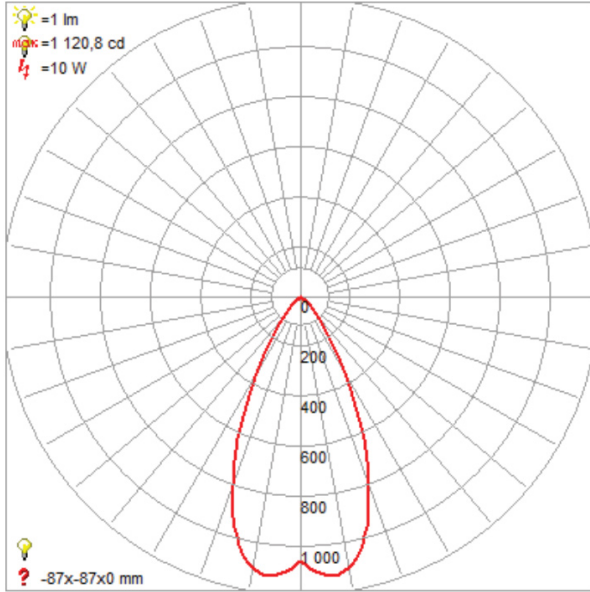
Technical Details



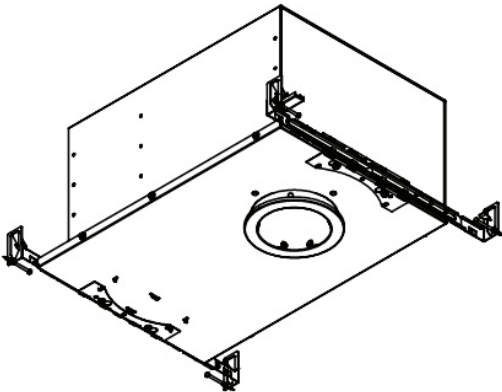
Cross Section

Project:	Type:
	Comments:

Photometrics



Mounting Option



Project:	Type:
	Comments:

Finish Details (powder coat finish)

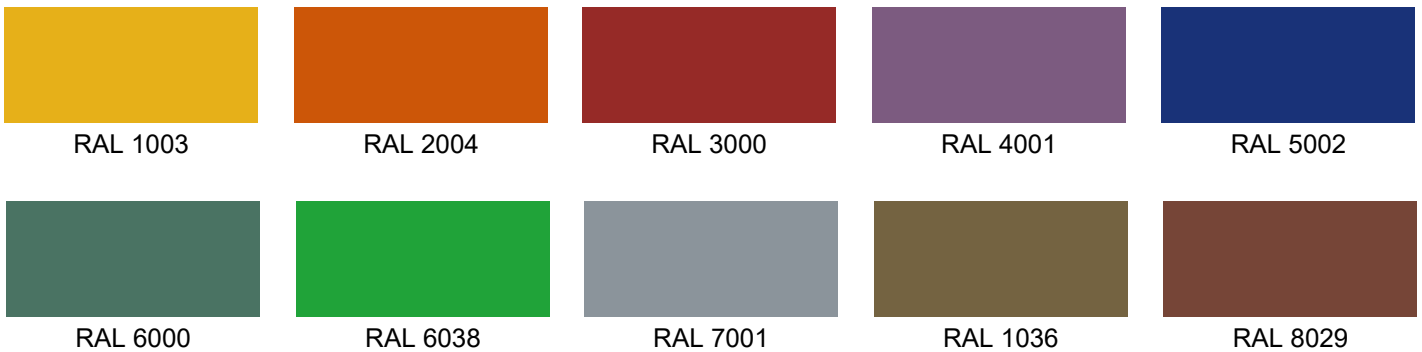
Standard Colors (Trim)



Standard Colors



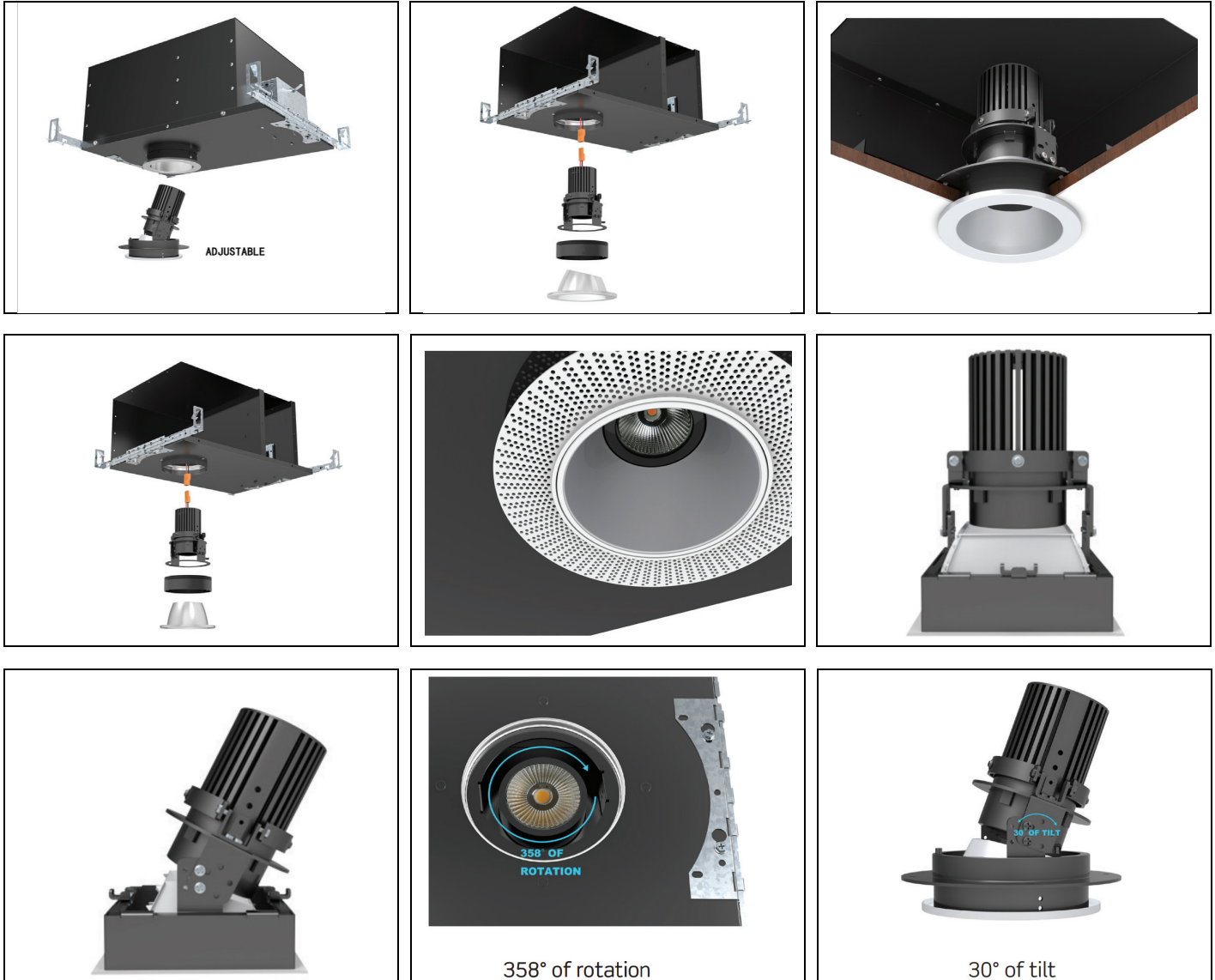
Custom Colors



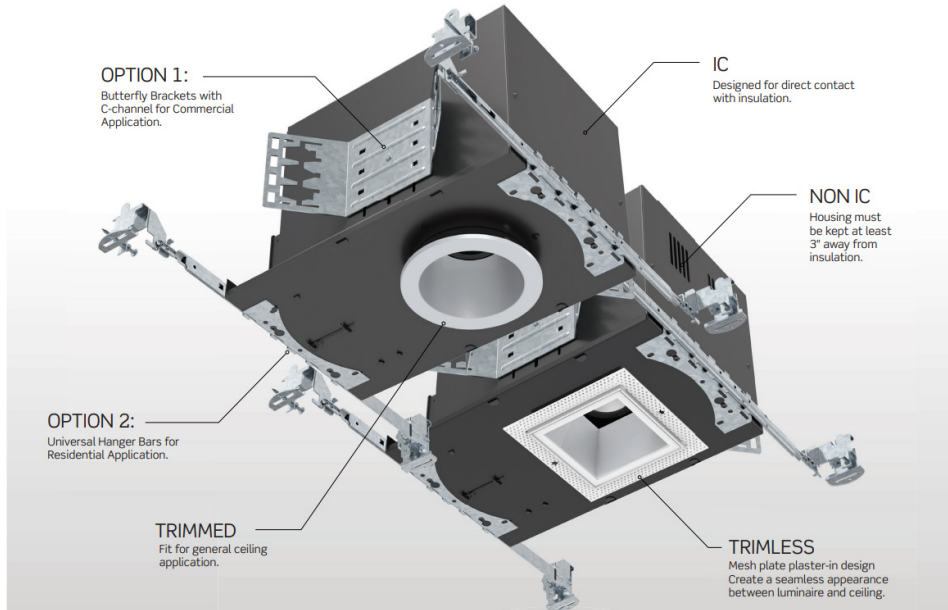
Any RAL color available, please refer to ralcolorchart.com

Project:	Type:
	Comments:

Optics Option



Project:	Type:
	Comments:



IC Options

