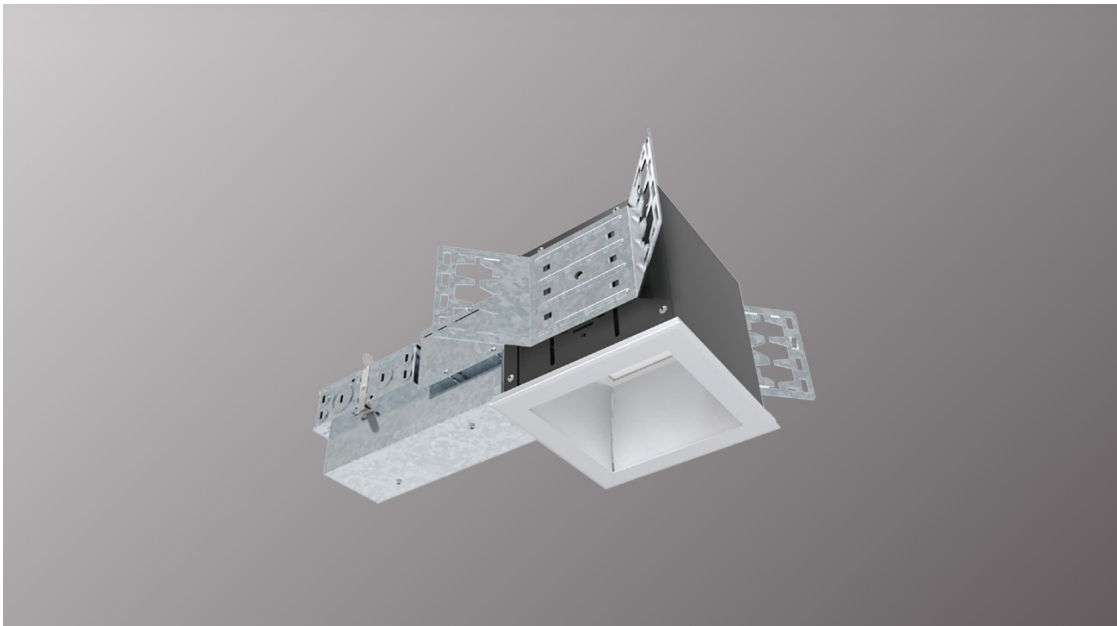


Project:	Type:
	Comments:



▣ Highlights

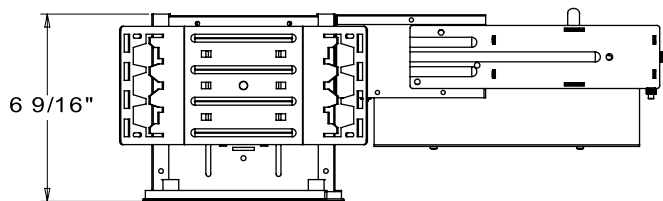
DL-S-6 Series are specification grade, 6" square aperture downlights, featuring simple look, high efficacy and high-quality components. Designed for new construction recessed applications, available in wide variety of color temperature and lumen outputs, as well as multiple trim and reflector finish options. Great lighting solution for any modern interior.

LED: Osram, Seoul, Cree, LED Chips, 2800-6000K, 90+CRI, High Output – up to 6500lm.

Optical: 6" square aperture, 60° beam angle (90° optional)

Construction: High grade steel housing, Frosted Perspex diffuser, Integral driver, Powder coat finish

▣ Cross Section



▣ Installation



Recessed (R)

Project:	Type:
	Comments:

Configuration Example

Model #	Optics	Wattage	Color Temp.	Beam Angle	Voltage
TECHOLED-DL-S-6-D-18-28-60-U	Direct	18W	2800K	60°	110-277V

Ordering Guide:

Select one option from each group below. For a custom preference please contact sales@techoled.com

1-FIXTURE ID	2-OPTICS	3-WATTAGE	4-COLOR TEMPERATURE
DL-S-6 DL-S-6	D Direct	18 18W	28 2800K
		24 24W	30 3000K
		32 32W	35 3500K
		32H 32W (107Lm/W)	40 4000K
		50 50W	50 5000K
		50H 50W (130Lm/W)	60 6000K

5-BEAM ANGLE	6-VOLTAGE	7-FINISH	8-TRIM
60 60°	U 110-277V	W White	SF Self-flanged
90 90°		B Black	
		G Grey	
		SN Satin Nickel	

9-DRIVER OPTIONS	10-OPTIONS
DM 0-10V Dimming	EM EM Battery (remote)
DM1% 1% Dimming	X None
LT1 LDE1 Lutron 1%	
LT2 DFC Lutron Vive RF	
LT3 FCJ Lutron ECO	
LT4 FCJ Lutron PowPak	
LT5 DFC Lutron Vive	
BM BubblyNet BT Mesh Bluetooth Mesh Smart	
DA Dali	
X None	

Project:	Type:
	Comments:

Driver Option Details

Code	Description
LT1	LDE1 -Lutron Hi-lume 1% EcoSystem, Soft-on, Fade-to Black Dimming
LT2	RFJ/FCJS-010 - Lutron RF PowPak (0-10V)
LT3	DFCSJ-OEM-RF - Lutron Vive In-Fixture Control (RF only)
LT4	DFCSJ-OEM-OCC - Lutron Vive In-Fixture Control (with daylightlights & occ/vac sensors)
LT5	FCJ/FCJS-ECO - Lutron Wireless PowPak (EcoSystem)
BM	Bluetooth Mesh Smart Wireless Control by BubblyNet

Options (cont.) Details

Code	Description
EM	Emergency Battery Backup (remote)

Lumen Output

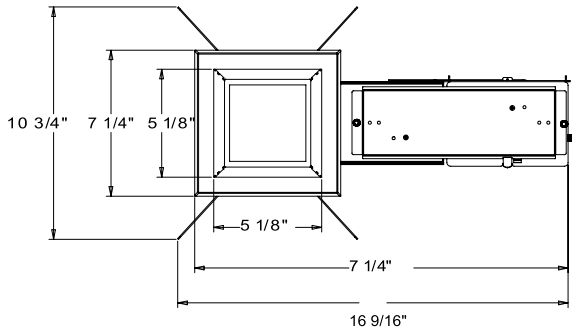
Model #	Size	Wattage	Distribution	Color Temp.	Lumen Output
TECHOLED-DL-S-6-D-18	6"	18W	Direct	3000K	1440Lm
TECHOLED-DL-S-6-D-24	6"	24W	Direct	3000K	1920Lm
TECHOLED-DL-S-6-D-32	6"	32W	Direct	3000K	2560Lm
TECHOLED-DL-S-6-D-50	6"	50W	Direct	3000K	5000Lm
TECHOLED-DL-S-6-D-32H	6"	40W	Direct	3000K	3420Lm
TECHOLED-DL-S-6-D-50H	6"	60W	Direct	3000K	6500Lm

Performance above applies to 3000K. Calculate 96% for 2700K, 104% for 3500K and 109% for 4000K

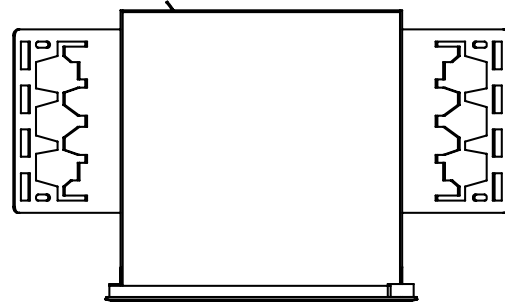
Project:	Type:
	Comments:

Product detail

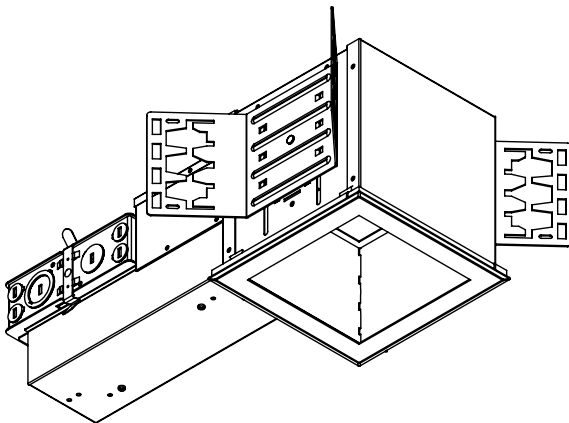
DL-S-6



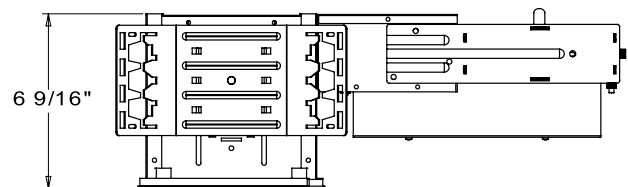
Dimensions



Technical Details



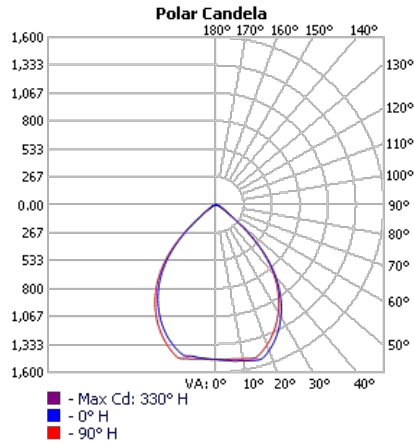
Mounting



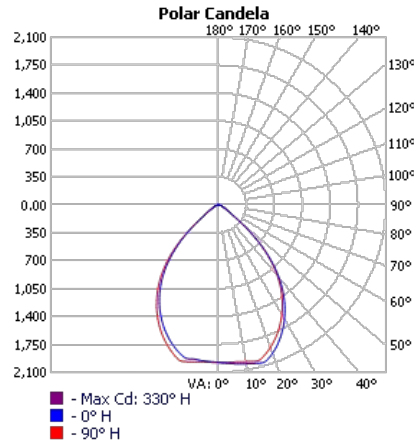
Cross Section

Project:	Type:
	Comments:

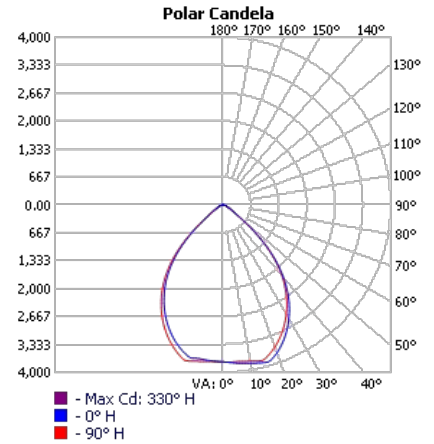
Photometrics



DL-S-6-D-32



DL-S-6-D-32H

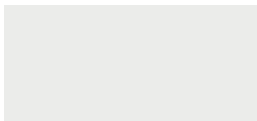


DL-S-6-D-50H

Project:	Type:
	Comments:

Finish Details (powder coat finish)

■ Standard Colors (Trim)

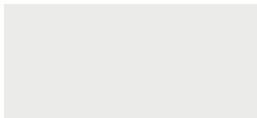


W – White

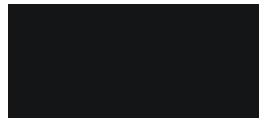


B – Black

■ Standard Colors



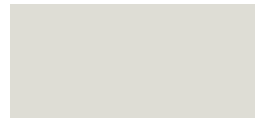
W – White



B – Black



G – Grey



SN - Satin Nickel

■ Custom Colors



RAL 1003



RAL 2004



RAL 3000



RAL 4001



RAL 5002



RAL 6000



RAL 6038



RAL 7001



RAL 1036



RAL 8029

Any RAL color available, please refer to ralcolorchart.com