

Project:	Type:
	Comments:



▣ Highlights

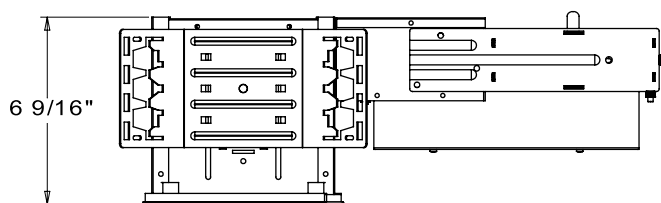
DL-S-6 Series are specification grade, 6" square aperture downlights, featuring simple look, high efficacy and high-quality components. Designed for new construction recessed applications, available in wide variety of color temperature and lumen outputs, as well as multiple trim and reflector finish options. Great lighting solution for any modern interior.

LED: Osram, Seoul, Cree, LED Chips, 2800-6000K, 90+CRI, High Output – up to 6500lm.

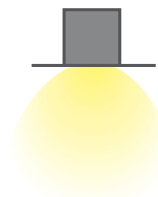
Optical: 6" square aperture, 60° beam angle (90° optional)

Construction: High grade steel housing, Frosted Perspex diffuser, Integral driver, Powder coat finish

▣ Cross Section



▣ Installation



Recessed (R)

Project:	Type:
	Comments:

Configuration Example

Model #	Optics	Wattage	Color Temp.	Beam Angle	Voltage
TECHOLED-DL-S-6-D-18-28-60-U	Direct	18W	2800K	60°	110-277V

Ordering Guide:

Select one option from each group below. For a custom preference please contact sales@techoled.com

1-FIXTURE ID		2-OPTICS		3-WATTAGE		4-COLOR TEMPERATURE	
DL-S-6	DL-S-6	D	Direct	18	18W	28	2800K
				24	24W	30	3000K
				32	32W	35	3500K
				32H	32W (107Lm/W)	40	4000K
				50	50W	50	5000K
				50H	50W (130Lm/W)	60	6000K

5-BEAM ANGLE		6-VOLTAGE		7-FINISH		8-TRIM	
60	60°	U	110-277V	W	White	SF	Self-flanged
90	90°			B	Black		
				G	Grey		
				SN	Satin Nickel		

9-DRIVER OPTIONS		10-OPTIONS	
DM	0-10V Dimming	EM	EM Battery (remote)
DM1%	1% Dimming	X	None
LT1	LDE1 Lutron 1%		
LT2	DFC Lutron Vive RF		
LT3	FCJ Lutron ECO		
LT4	FCJ Lutron PowPak		
LT5	DFC Lutron Vive		
BM	BubblyNet BT Mesh Bluetooth Mesh Smart		
DA	Dali		
X	None		

Project:	Type:
	Comments:

Driver Option Details

Code	Description
LT1	LDE1 -Lutron Hi-lume 1% EcoSystem, Soft-on, Fade-to Black Dimming
LT2	RFJ/FCJS-010 - Lutron RF PowPak (0-10V)
LT3	DFCSJ-OEM-RF - Lutron Vive In-Fixture Control (RF only)
LT4	DFCSJ-OEM-OCC - Lutron Vive In-Fixture Control (with daylight & occ/vac sensors)
LT5	FCJ/FCJS-ECO - Lutron Wireless PowPak (EcoSystem)
BM	Bluetooth Mesh Smart Wireless Control by BubblyNet

Options (cont.) Details

Code	Description
EM	Emergency Battery Backup (remote)

Lumen Output

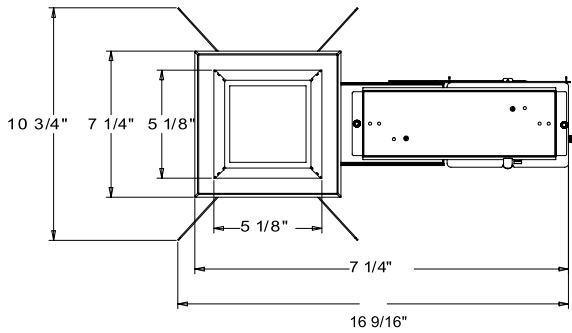
Model #	Size	Wattage	Distribution	Color Temp.	Lumen Output
TECHOLED-DL-S-6-D-18	6"	18W	Direct	3000K	1440Lm
TECHOLED-DL-S-6-D-24	6"	24W	Direct	3000K	1920Lm
TECHOLED-DL-S-6-D-32	6"	32W	Direct	3000K	2560Lm
TECHOLED-DL-S-6-D-50	6"	50W	Direct	3000K	5000Lm
TECHOLED-DL-S-6-D-32H	6"	40W	Direct	3000K	3420Lm
TECHOLED-DL-S-6-D-50H	6"	60W	Direct	3000K	6500Lm

Performance above applies to 3000K. Calculate 96% for 2700K, 104% for 3500K and 109% for 4000K

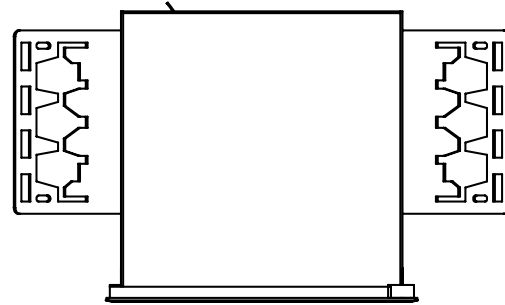
Project:	Type:
	Comments:

Product detail

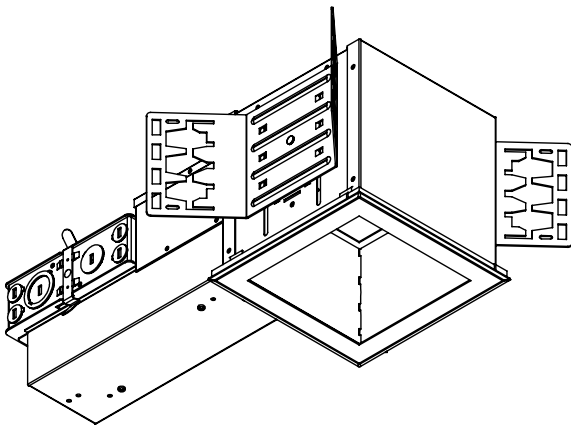
DL-S-6



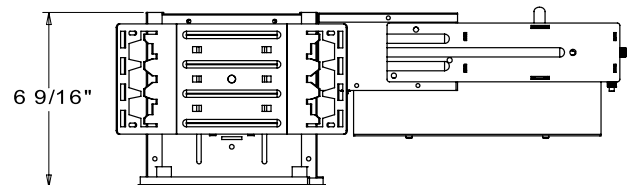
Dimensions



Technical Details



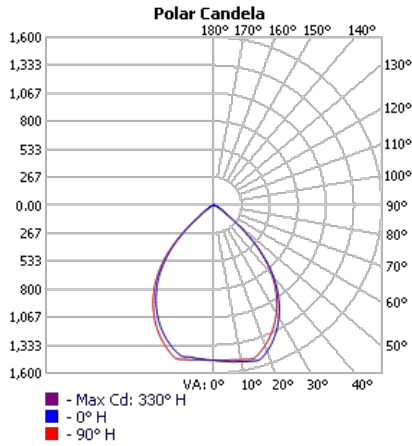
Mounting



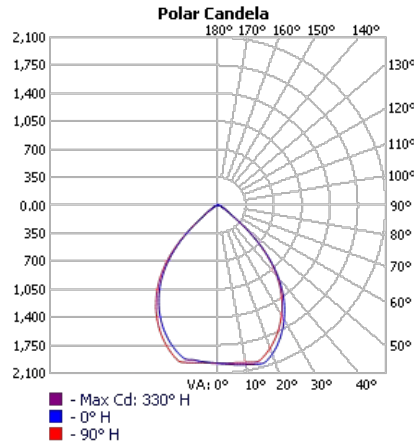
Cross Section

Project:	Type:
	Comments:

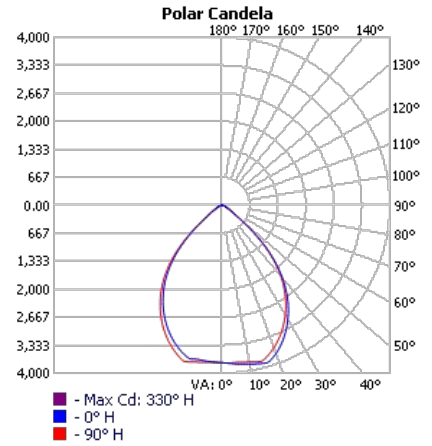
Photometrics



DL-S-6-D-32



DL-S-6-D-32H



DL-S-6-D-50H

Project:	Type:
	Comments:

Finish Details (powder coat finish)

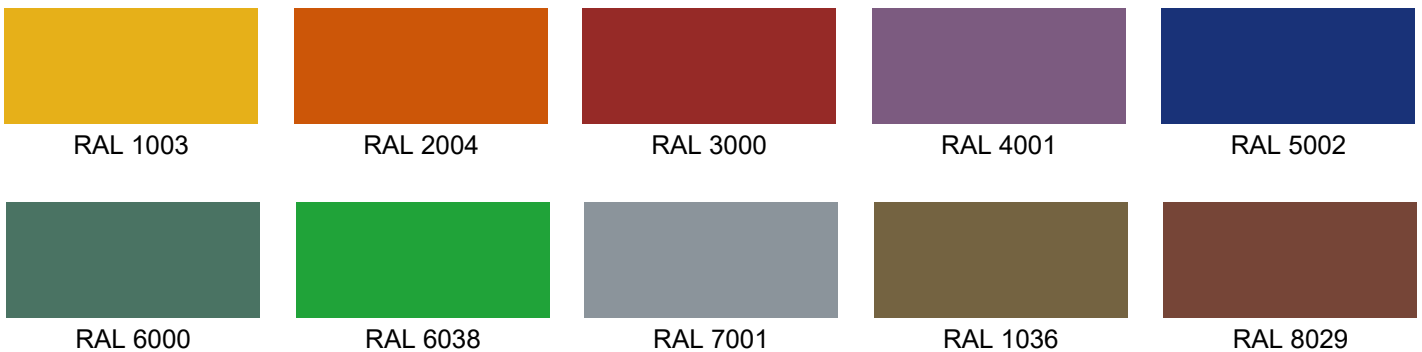
Standard Colors (Trim)



Standard Colors



Custom Colors



Any RAL color available, please refer to ralcolorchart.com