

Project:	Type:
	Comments:



Highlights

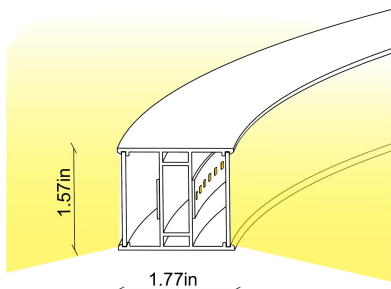
The TechoLED HALO series features sleek, round LED luminaires made with slim, high-grade aluminum extrusion. With diameters ranging from 2 feet to almost 17 feet (or custom sizes of your choice), these luminaires can be surface-mounted or pendant-style. Additionally, the HALO series offers the flexibility of multiple fixtures hanging from a single canopy. A superb lighting solution for modern interiors.

LED: Samsung LED chips, 2700-5000K, tunable white and RGB/RGBW available, 90CRI, 50,000 hour rated lifespan. Custom lumen packages available.

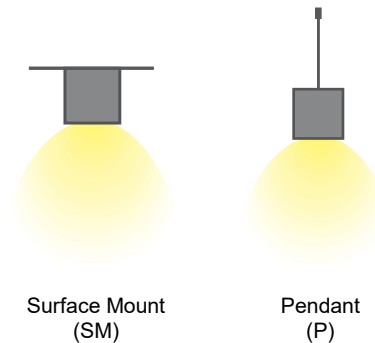
Optical: Direct illumination, 120° beam angle

Construction: Damp location listed. High grade aluminum extrusion, PC diffuser, remote driver (inside canopy), powder coat finish, custom finishes available

Cross Section



Installation



Project:	Type:
	Comments:

Configuration Example

Model #	Diameter	Output	Color Temp.	Voltage	Color
TECHOLED-HALO-IO-23-LO-30-U-W	23.6"	Low	3000K	110-277V	White

Ordering Guide:

Select one option from each group below. For a custom preference please contact sales@techoled.com

1-FIXTURE ID		2-DISTRIBUTION		3-DIAMETER		4-LUMEN OUTPUT	
HALO	HALO	IO	Inner/Outer	23	23.6"	LO	Low
				35	35.4"	ME	Medium
				47	47.2"	HI	High
				59	59.1"		

5-COLOR TEMP.		6-VOLTAGE		7-FINISH		8-MOUNTING	
30	3000K	U	110-277V	W	White	P	Pendant
35	3500K	HV	347V	S	Silver	SM	Surface Mount
40	4000K			B	Black		
DT	Lutron T-series			C	Custom (RAL#)		
RGB	RGB						
RGBW	RGBW						
D	Tunable White						

9-DRIVER OPTIONS		10-OPTIONS		11-OPTIONS (CONT.)	
DM	0-10V Dimming	RF-D	Remote Tunable (RF only)	EM	EM Battery (remote)
2C	2 Channel	RF-R	Remote RGB/W (RF only)	X	None
DM1%	1% Dimming	M	Motion Sensor (remote)		
LT1	LDE1 Lutron 1%	BM	BubblyNet BT Mesh		
DA	Dali	CS	Casambi		
DMX	DMX	AWNR	Lutron Athena Node		
TR	Triac Dimming	AWNS	Lutron Athena Node sensor		
RF	RF Wireless	NL-ES7	nLight - Wired		
X	None	NL-AIR	nLight - AIR		
		NL-M	nLight - Module only		
		X	None		

Project:	Type:
	Comments:

Lumen Output Details

Model #	Diameter	Output	Color Temp.	Wattage	Lumen Output
TECHOLED-HALO-IO-23-LO-30	23.6"	Low	3000K	30W	2100Lm
TECHOLED-HALO-IO-23-ME-30	23.6"	Medium	3000K	40W	2800Lm
TECHOLED-HALO-IO-23-HI-30	23.6"	High	3000K	50W	3500Lm
TECHOLED-HALO-IO-35-LO-30	35.4"	Low	3000K	40W	2800Lm
TECHOLED-HALO-IO-35-ME-30	35.4"	Medium	3000K	50W	3500Lm
TECHOLED-HALO-IO-35-HI-30	35.4"	High	3000K	60W	4200Lm
TECHOLED-HALO-IO-47-LO-30	47.2"	Low	3000K	60W	4200Lm
TECHOLED-HALO-IO-47-ME-30	47.2"	Medium	3000K	80W	5600Lm
TECHOLED-HALO-IO-47-HI-30	47.2"	High	3000K	100W	7000Lm
TECHOLED-HALO-IO-59-LO-30	59.1"	Low	3000K	80W	5600Lm
TECHOLED-HALO-IO-59-ME-30	59.1"	Medium	3000K	100W	7000Lm
TECHOLED-HALO-IO-59-HI-30	59.1"	High	3000K	120W	8400Lm

Performance above applies to 90 CRI, 3000K. Calculate 96% for 2700K, 104% for 3500K and 109% for 4000K

Performance

Output	Lumens / W
Low	70
Medium	70
High	70

Project:	Type:
	Comments:

Driver Option Details

Code	Description
LT1	LDE1 - Lutron Hi-lume 1% EcoSystem, Soft-on, Fade-to Black Dimming
DA	DALI
DMX	DMX - Decoder provided by TechoLED, controller by others

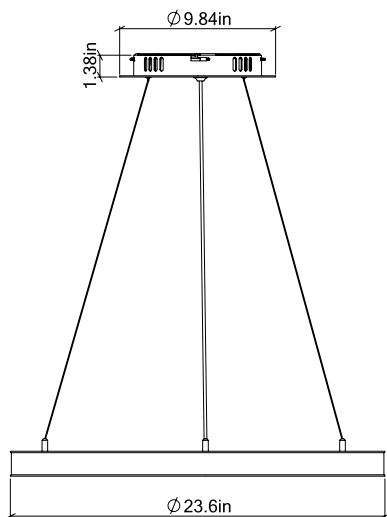
Controls Details

Code	Description
RF-D	RF Wireless remote controller for tunable white. Default for tunable white.
RF-R	RF Wireless remote controller for RGB & RGBW. Default for RGB & RGBW.
M	Motion Sensor - remote, for integral sensor consult factory
BM	Bluetooth Mesh Smart Wireless Control by BubblyNet
CS	Bluetooth Mesh Smart Wireless Control by Casambi
AWNRR	Lutron Athena wireless node
AWNS	Lutron Athena wireless node with sensor
NL-ES7	Acuity nLight - Wired nES7 sensor
NL-AIR	Acuity nLight - AIR wireless rES7 sensor
NL-M	Acuity nLight - ready, sensor by others

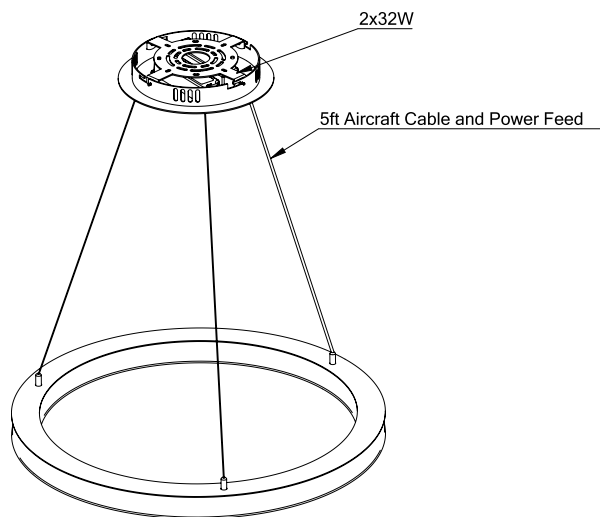
Project:	Type:
	Comments:

Dimension and Mounting

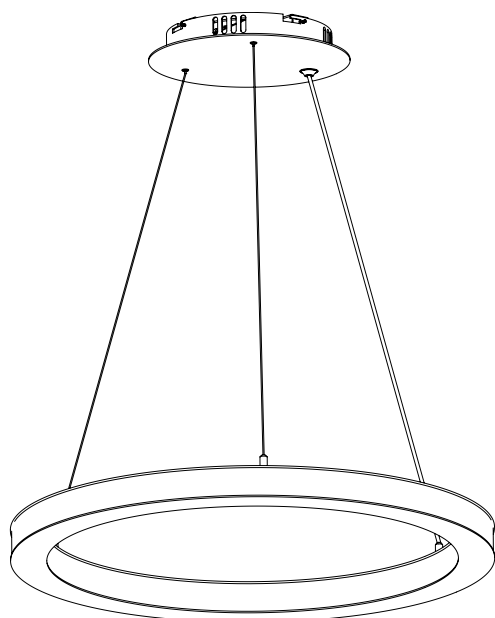
HALO Inner/Outer 23



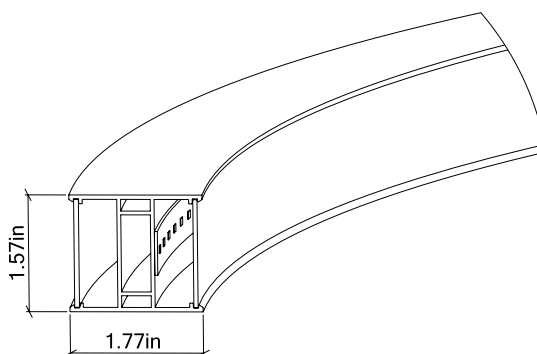
Dimensions



Technical Details



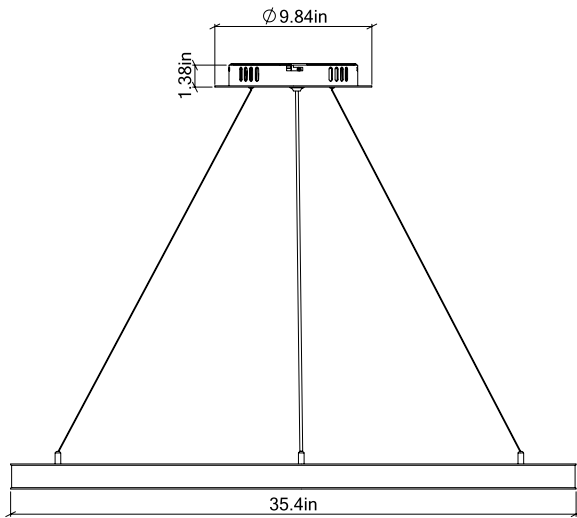
Central Mounting – Pendant



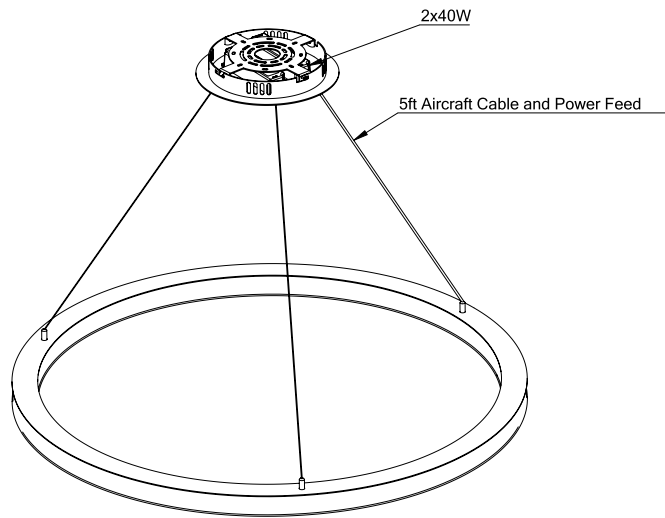
Cross Section

Project:	Type:
	Comments:

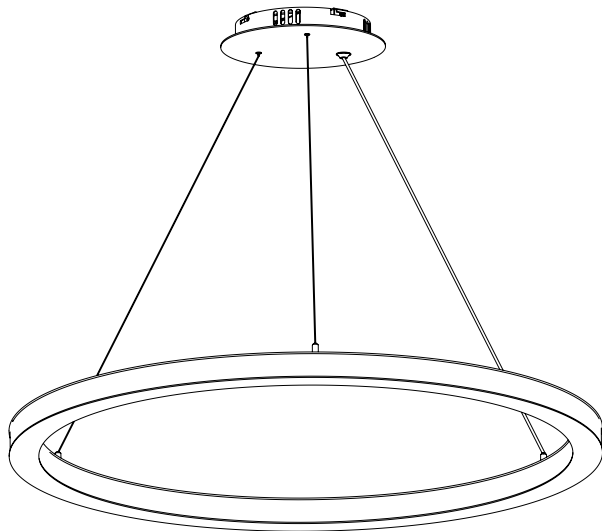
■ HALO Inner/Outer 35



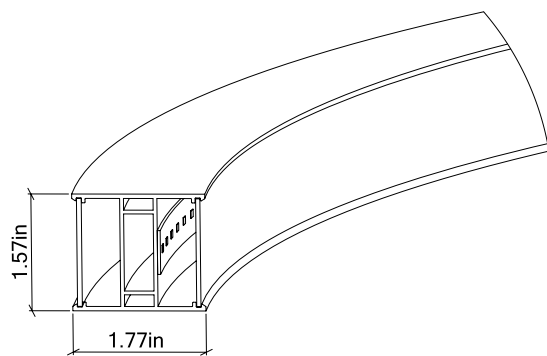
Dimensions



Technical Details



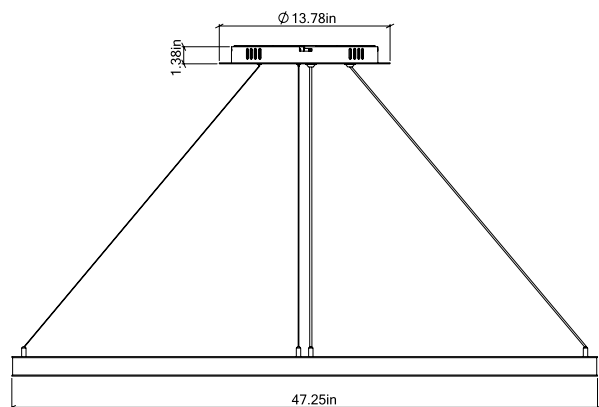
Central Mounting – Pendant



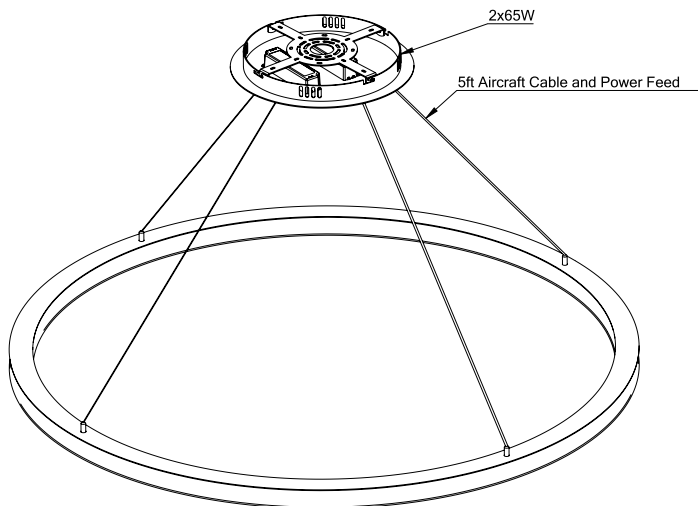
Cross Section

Project:	Type:
	Comments:

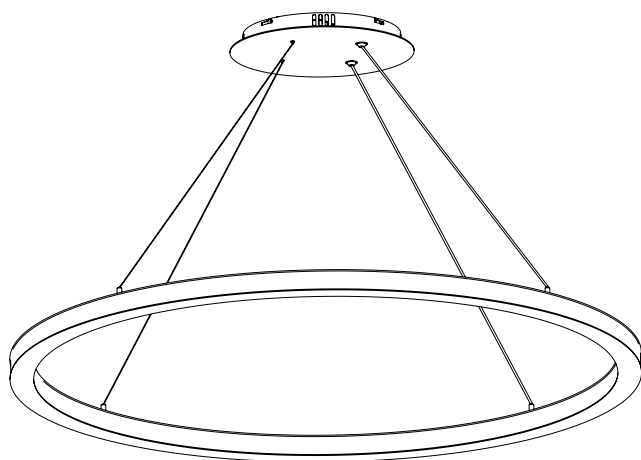
■ HALO Inner/Outer 47



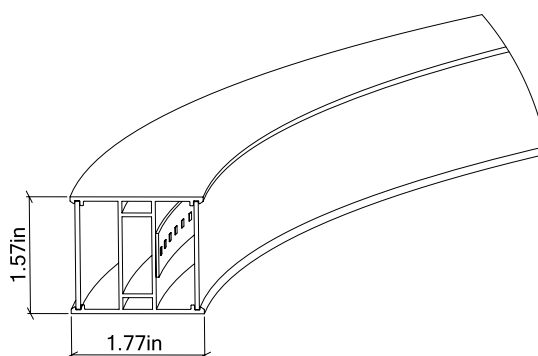
Dimensions



Technical Details



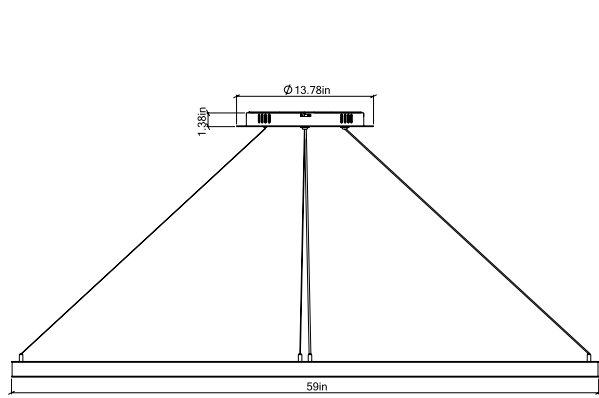
Central Mounting – Pendant



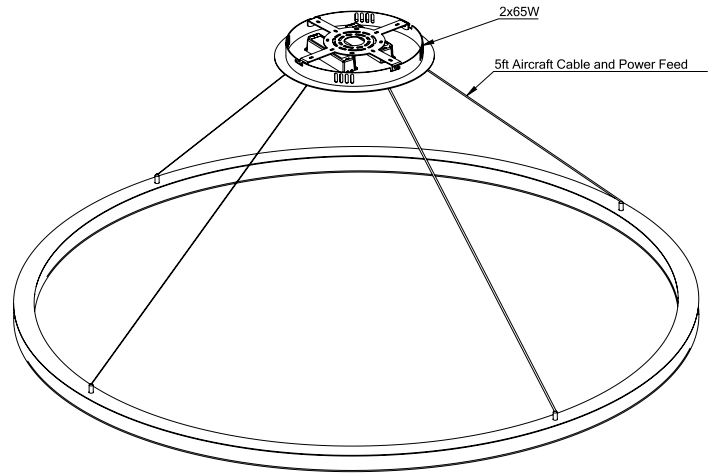
Cross Section

Project:	Type:
	Comments:

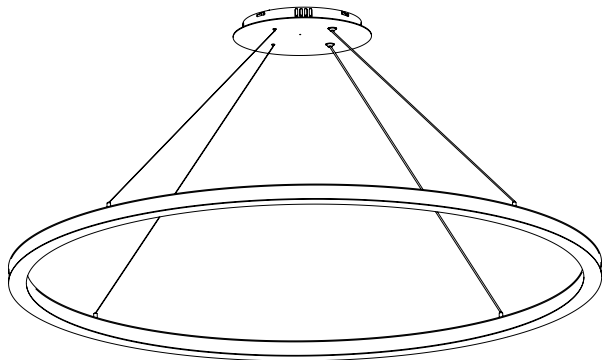
■ HALO Inner/Outer 59



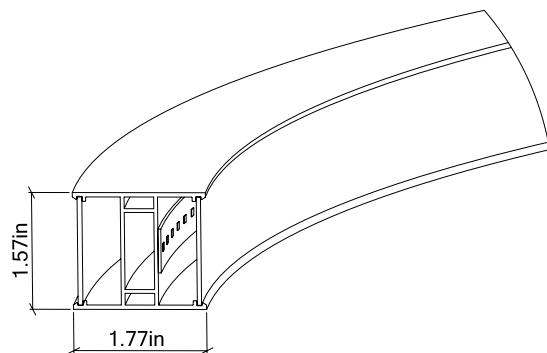
Dimensions



Technical Details



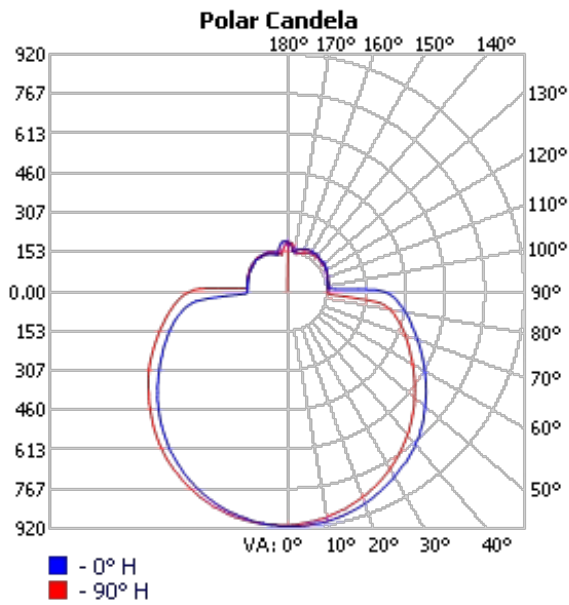
Central Mounting – Pendant



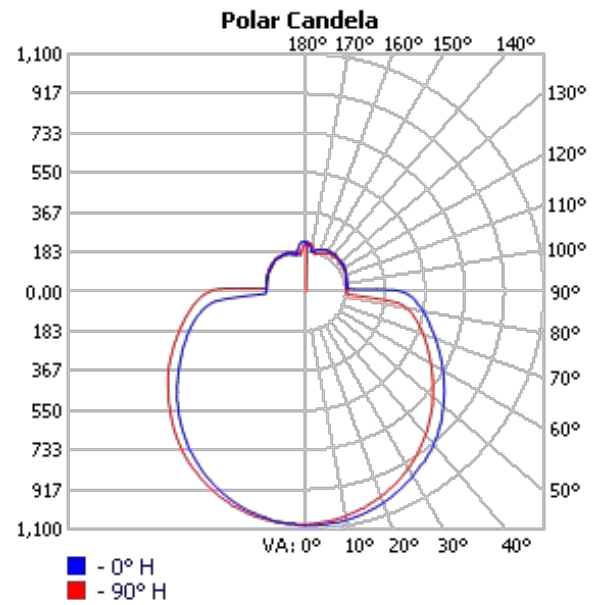
Cross Section

Project:	Type:
	Comments:

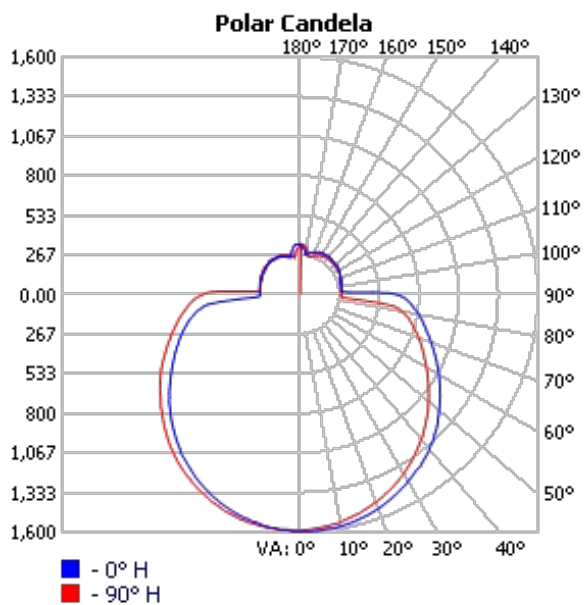
Photometrics



65W



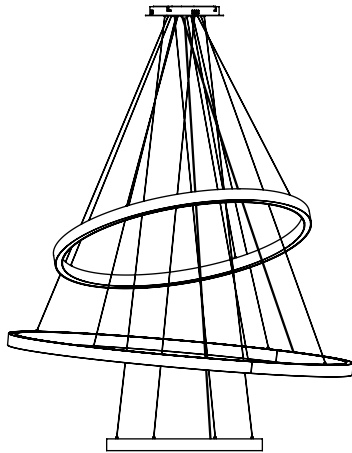
80W



120W

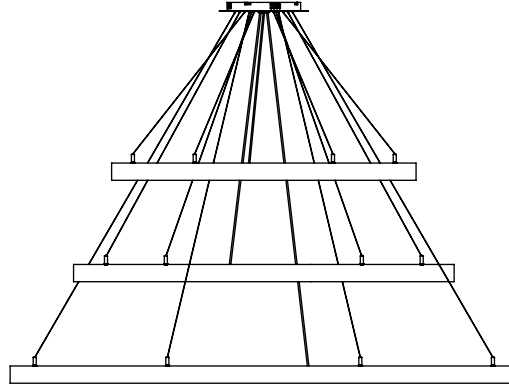
Project:	Type:
	Comments:

Mounting Option Examples



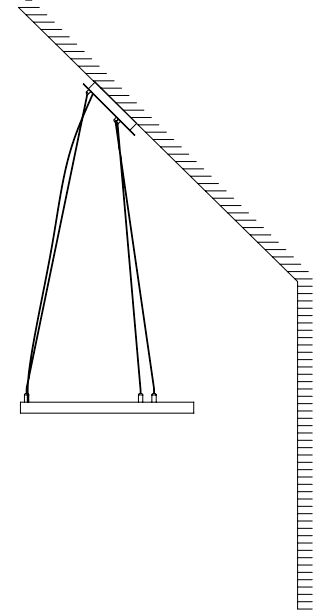
In this picture are used:

Ring	Measurement
Top	59"
Medium	78"
Bottom	35"



In this picture are used:

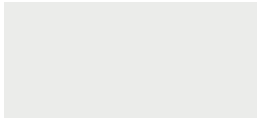
Ring	Measurement
Top	35"
Medium	59"
Bottom	78"



Project:	Type:
	Comments:

Finish Details (powder coat finish)

■ Standard Colors



W – White



S – Silver



B – Black

■ Custom Colors



RAL 1003



RAL 2004



RAL 3000



RAL 4001



RAL 5002



RAL 6000



RAL 6038



RAL 7001



RAL 1036



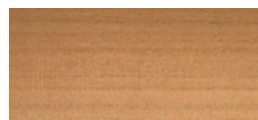
RAL 8029

Any RAL color available, please refer to ralcolorchart.com

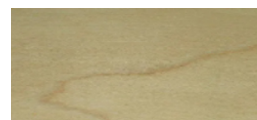
■ Custom Wooden Colors



American Walnut



Cherry



Maple



Light Oak

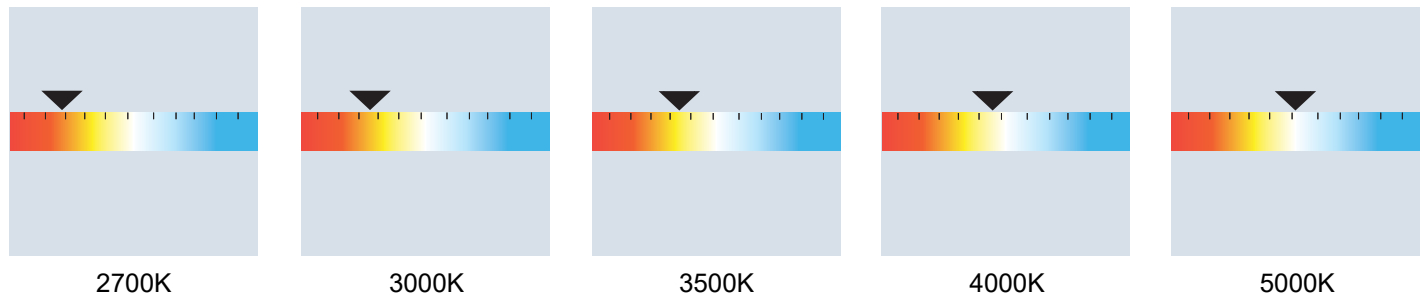


Palisander Santos

Project:	Type:
	Comments:

Color Temperature

Color Temperature



Tunable White

