

Project:	Type:
	Comments:



▣ Highlights

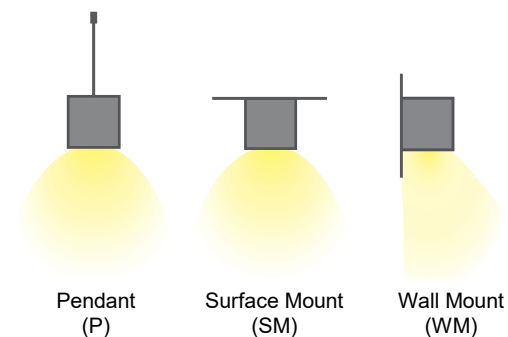
The TechoLED Cylinder Series is specification grade, cylinder luminaire. Offered in multiple sizes and pendant, surface mount and wall mounted applications, with wide ranging customization options, such as custom lumen packages and finishes. Great lighting solution for all modern interiors.

LED: Samsung LED chips, 2700-5000K and tunable white available, 90+ CRI

Optical: Direct illumination, 24°, 38° & 60° beam angle available

Construction: High grade aluminum extrusion, powder coat finish, custom finishes available, integral driver, IP65 rating

▣ Installation



Project:	Type:
	Comments:

Configuration Example

Model #	Size	Beam Angle	Lumen Output	Color Temp.	Voltage	Finish
TECHOLED-IP2C-4-24-ME-30-U-S-P-DM	4"	24°	Medium	3000K	100-277V	Silver

Ordering Guide:

Select one option from each group below. For a custom preference please contact sales@techoled.com

1-FIXTURE ID		2-DIAMETER		3-BEAM ANGLE		4-LUMEN OUTPUT	
IP2C	IP-2 Cylinder	4	4"	24	24°	ME	Medium
		5	5"	38	38°		
		6	6"	60	60°		

5-COLOR TEMP.		6-VOLTAGE		7-FINISH		8-FINISH - REFLECTOR	
27	2700K	U	110-277V	S	Silver	S	Silver
30	3000K	HV	347V	W	White	W	White
35	3500K			B	Black	B	Black
40	4000K			BR	Bronze	CH	Chrome
50	5000K			C	Custom (RAL#)	G	Gold
D	Tunable White					C	Custom (RAL#)

9-MOUNTING		10-DRIVER OPTIONS		11-OPTIONS		12-OPTIONS (CONT.)	
P	Pendant	DM	0-10V Dimming	M	Motion Sensor (remote)	EM	EM Battery (remote)
SM	Surface Mount	DM1%	1% Dimming	X	None	X	None
W	Wall Mount	LT1	LDE1 Lutron 1%				
		LT2	DFC Lutron Vive RF				
		LT3	FCJ Lutron ECO				
		LT4	FCJ Lutron PowPak				
		LT5	DFC Lutron Vive				
		BM	BubblyNet BT Mesh				
		DA	Dali				
		T	Triac				
		X	None				

Project:	Type:
	Comments:

Lumen Output Details

Model #	Size	Wattage	Lumen Output	Color Temp.	Efficacy
TECHOLED-IP2C-4-24-ME-30-U-S-P-DM	4"	20W	2056Lm	3000K	100Lm/W
TECHOLED-IP2C-5-24-ME-30-U-S-P-DM	5"	30W	2718Lm	3000K	90Lm/W
TECHOLED-IP2C-6-24-ME-30-U-S-P-DM	6"	40W	3623Lm	3000K	90Lm/W

Performance above applies to 90 CRI, 3000K. Calculate 96% for 2700K, 104% for 3500K and 109% for 4000K

Performance

Output	LPW
Medium	85

Color Temperature Details

Code	Description
D	Tunable White (2700-5000K)

Driver Option Details

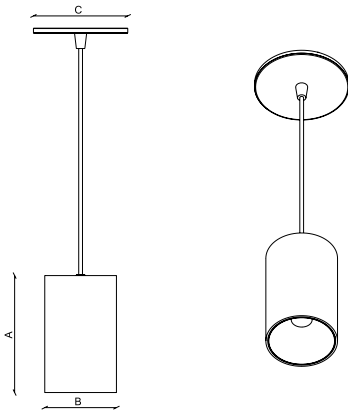
Code	Description
LT1	LDE1 -Lutron Hi-lume 1% EcoSystem, Soft-on, Fade-to Black Dimming
LT2	RFJ/FCJS-010 - Lutron RF PowPak (0-10V)
LT3	DFCSJ-OEM-RF - Lutron Vive In-Fixture Control (RF only)
LT4	DFCSJ-OEM-OCC - Lutron Vive In-Fixture Control (with daylight & occ/vac sensors)
LT5	FCJ/FCJS-ECO - Lutron Wireless PowPak (EcoSystem)
BM	Bluetooth Mesh Smart Wireless Control by BubblyNet

Options (cont.) Details

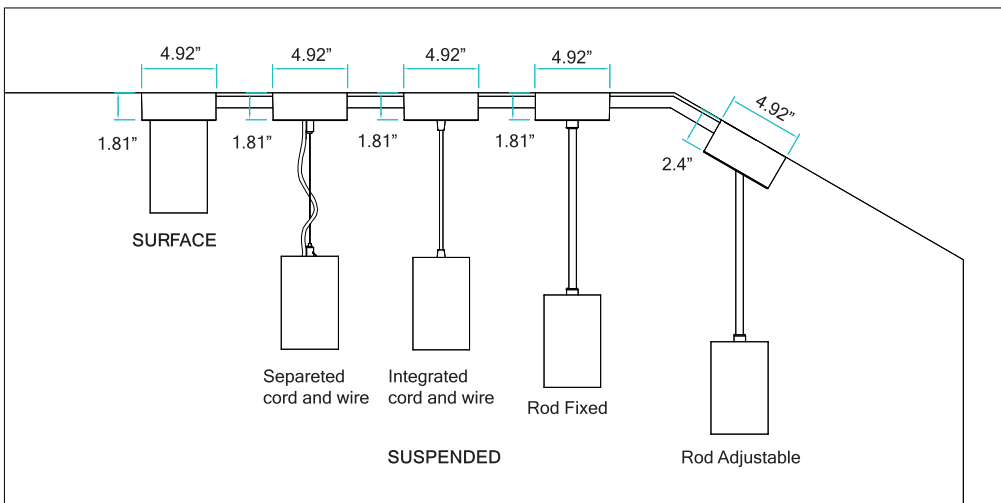
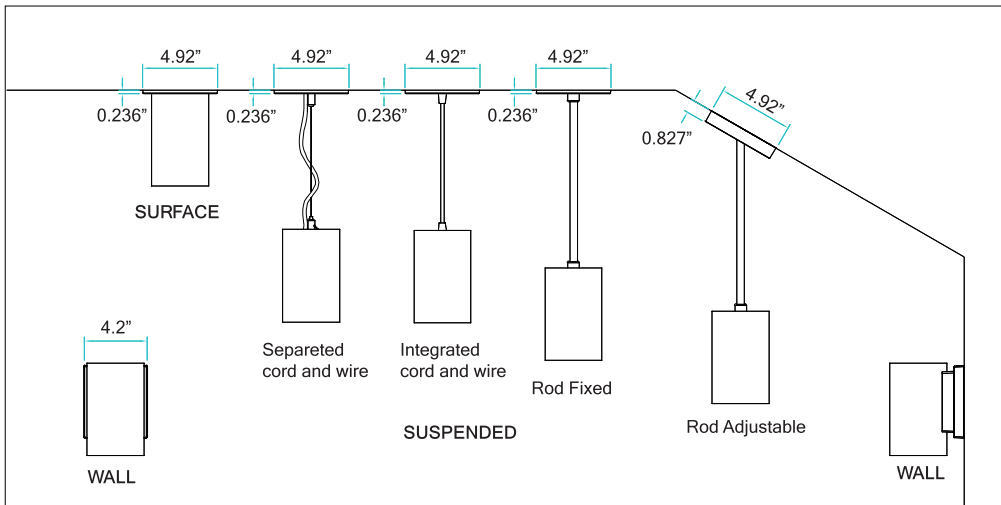
Code	Description
EM	Emergency Battery Backup (remote)

Project:	Type:
Comments:	

Dimension and Mounting



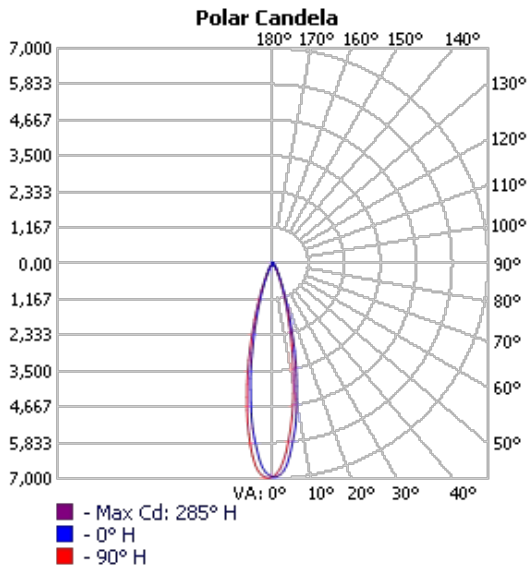
FIXTURE ID	A	B	C
TECHOLED-IP2C-4	6.1"	3.74"	4.92"
TECHOLED-IP2C-5	6.5"	4.84"	4.92"
TECHOLED-IP2C-6	7.09"	5.75"	4.92"



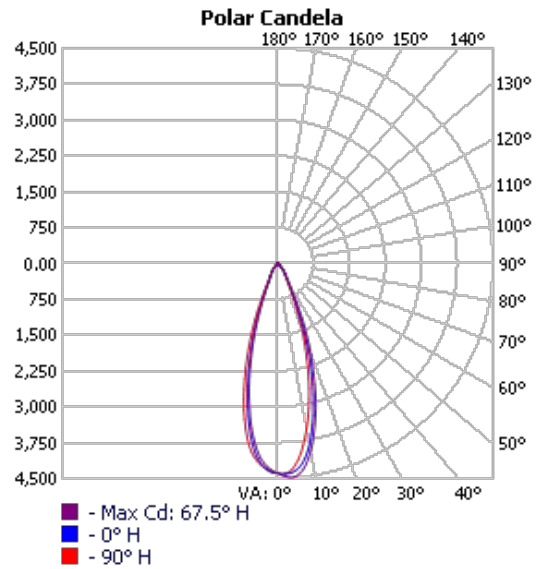
Project:	Type:
	Comments:

Photometrics

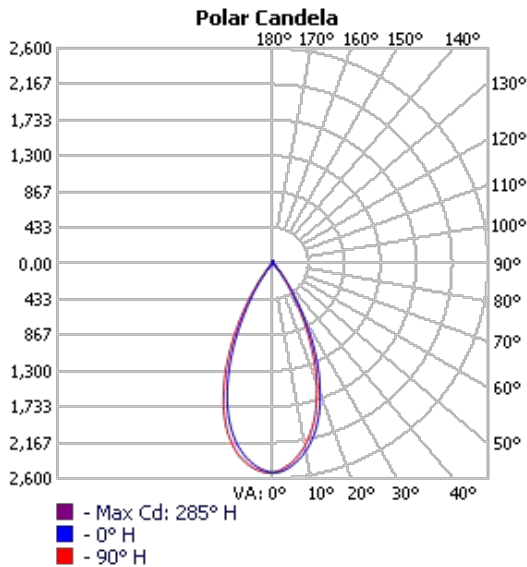
TECHOLED-IP2C-4-24



TECHOLED-IP2C-4-38



TECHOLED-IP2C-4-60



Project:	Type:
	Comments:

Finish Details (powder coat finish)

■ Standard Colors



W – White

S – Silver

B – Black

■ Custom Colors



RAL 1003

RAL 2004

RAL 3000

RAL 4001

RAL 5002



RAL 6000

RAL 6038

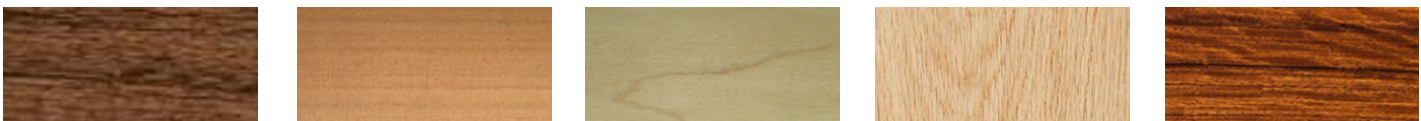
RAL 7001

RAL 1036

RAL 8029

Any RAL color available, please refer to ralcolorchart.com

■ Custom Wooden Colors



American Walnut

Cherry

Maple

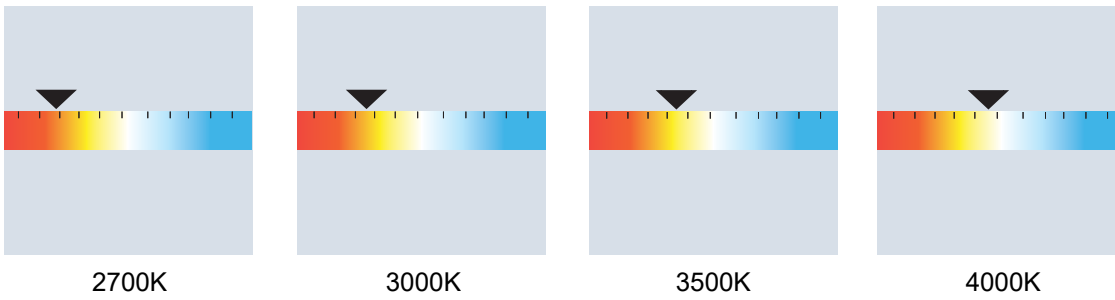
Light Oak

Palisander Santos

Project:	Type:
	Comments:

Color Temperature

Color Temperature



Tunable White

