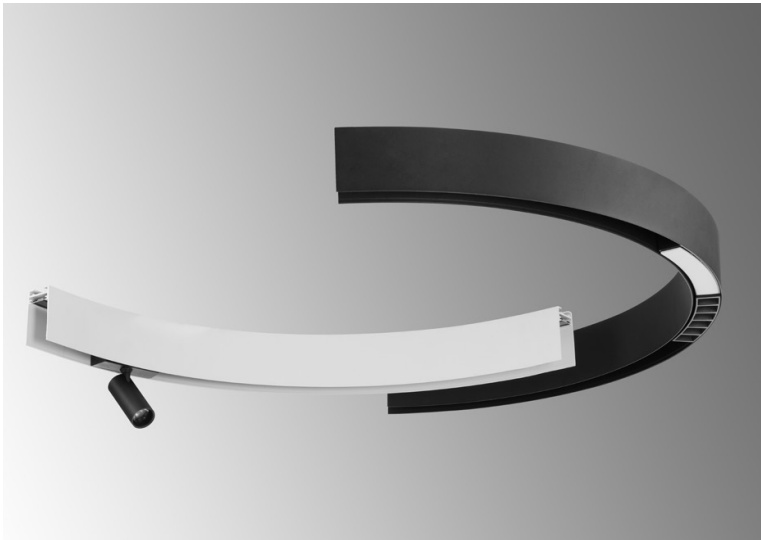


Project:	Type:
	Comments:



Highlights

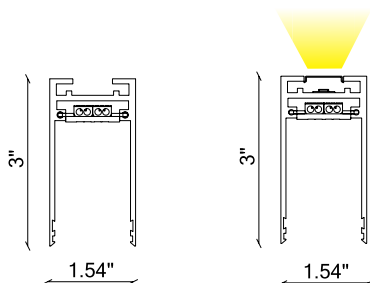
The TechoLED Magnetic Curved Track System is a creative and flexible architectural lighting solution. The track has virtually unlimited capability to create shapes and patterns, from simple rectangles to complex curves and circles, including custom radii with both the track and the illuminated modules. Light components, ranging from solid linear, louvre, and wall washer to adjustable spotlights and pendant cylinders, snap into the track magnetically and can be repositioned by hand without tools. It is a superb and creative lighting solution for any modern interior.

LED: Osram & Cree LED Chips, 2700-5000K, dim-to-warm and tunable white available, 90+ CRI

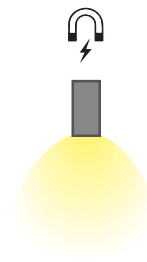
Optical: Direct illumination, variety of beam angles available on all spotlight and louvered modules

Construction: High-grade aluminum extrusions, 24V remote driver, powder coat finish, curves – standard and custom, continuous linear runs, X, T, L as well as wall-to-ceiling and inner/outer corners available for virtually unlimited patterns

Cross Section



Installation



Project:	Type:
	Comments:

Configuration Example

Model #	Distribution	Shape	Voltage	Finish	Mounting	Driver
TECHOLED-MCT-D-C-U-W-P-DM	Direct	Custom	110-277V	White	Pendant	DM

Ordering Guide:

Select one option from each group below. For a custom preference please contact sales@techoled.com

1-FIXTURE ID		2-DISTRIBUTION		4-SHAPE		4-VOLTAGE	
MCT	Single Circuit	D	Direct	HC	Half Circle 90°	U	110-277V
MCT2	Double Circuit	DI	Direct/Indirect	FC	Full Circle		
MCTC	Casambi			C90	Corner 90°		
MCTD	Dali			C135	Corner 135°		
				C	Custom Length		

5-FINISH		6-MOUNTING		7-INDIRECT COLOR TEMP.	
B	Black	P	Pendant	X	None
W	White	SM	Surface Mount	27	2700K
C	Custom (RAL#)	RP	Recessed (mud-in)	28	2800K
				35	3500K
				40	4000K
				50	5000K

Project:	Type:
	Comments:

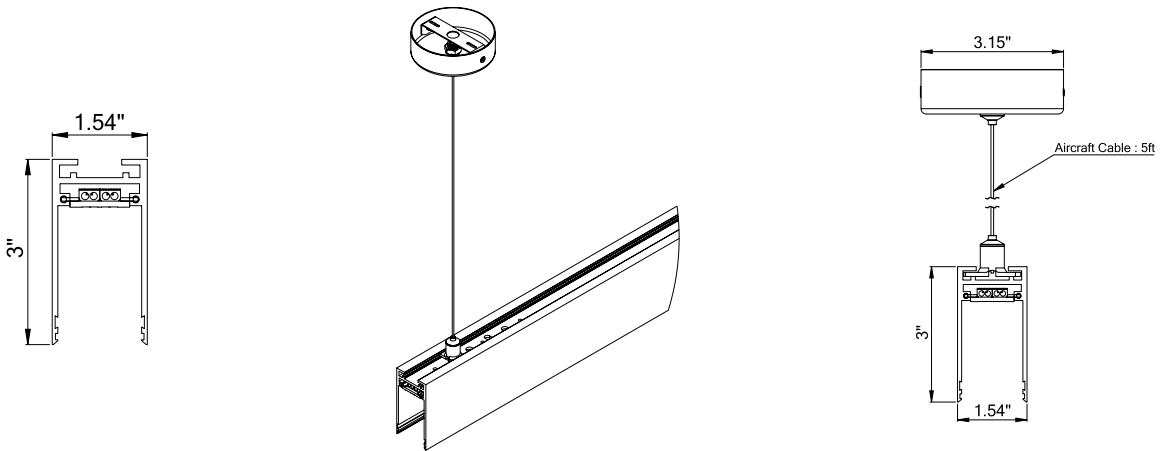
 **Mounting Details**

Code	Description
P	Pendant
SM	Surface Mount
RP	Recessed (mud-in)

Project:	Type:
	Comments:

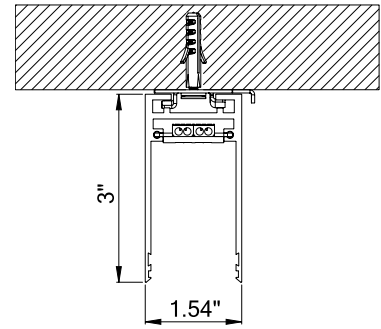
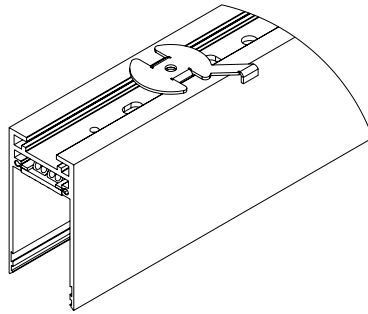
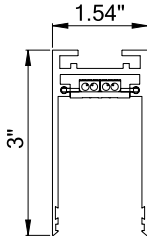
□ Dimension and Mounting

■ Pendant



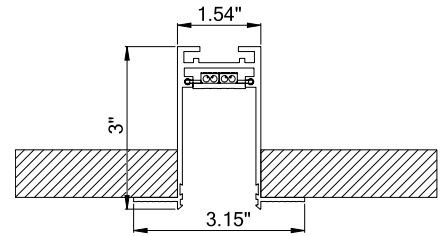
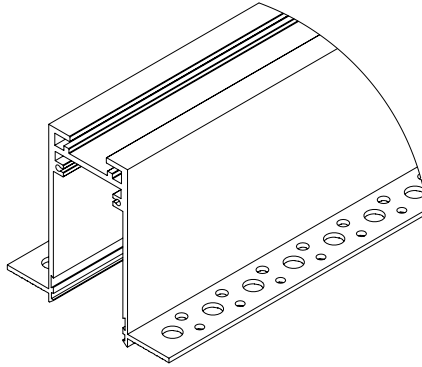
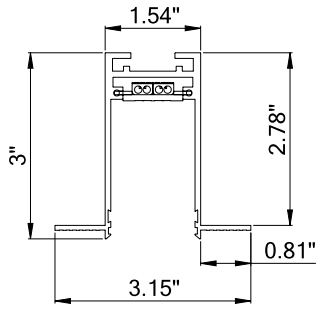
Project:	Type:
	Comments:

■ **Surface Mount**



Project:	Type:
	Comments:

■ **Recessed (mud in)**



Project:	Type:
	Comments:

Connectors



TECHOLED-MT-5DCORNER

4.33X4.33"

45° sharp corner, for pendant/surface mount and recessed installation



TECHOLED-MT-XCORNER

5.07x3.89"

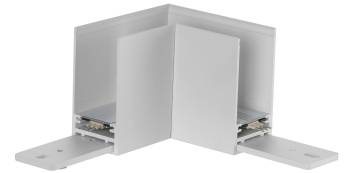
X corner for pendant/surface mount and recessed installation



TECHOLED-MT-TCORNER

5.07x6.25"

T corner for pendant/surface mount and recessed installation



TECHOLED-MT-LCORNER

3.54x3.54x2.99"

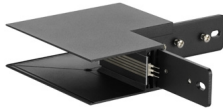
L corner for pendant/surface mount and recessed installation



TECHOLED-MT-INNCORNER

4.84x4.94x2.99"

inner corner for recessed and surface mount installation



TECHOLED-MT-OUTERCORNER

4.84x4.94x2.99"

outer corner for recessed and surface mount installation



TECHOLED-MT-R-LCORNER

3.54x3.54x2.99"

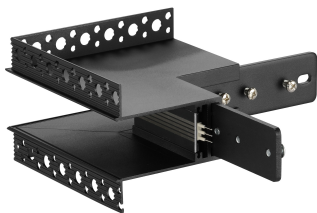
L corner for recessed mud-in installation



TECHOLED-MT-R-INNCORNER

4.84x4.84x2.99"

inner corner for recessed mud-in installation



TECHOLED-MT-R-OUTCORNER

4.84x4.84x2.99"

outer corner for recessed mud-in installation



TECHOLED-MT-RK

3.93x1.49x2.63"

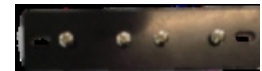
recessed flange kit



TECHOLED-MT-PK

3.14" diameter

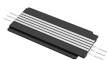
pendant kit



TECHOLED-MT-TC

4.44x1.27x0.11"

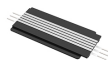
continuous linear run connector



TECHOLED-MT-PP

2.55x1.18"

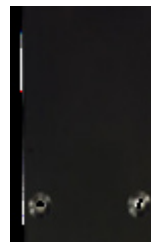
power plate, with 2 pin connection



TECHOLED-MT-DP

2.55x1.18"

decorative plate



TECHOLED-MT-EC

2.99x1.53x0.05"

end cap



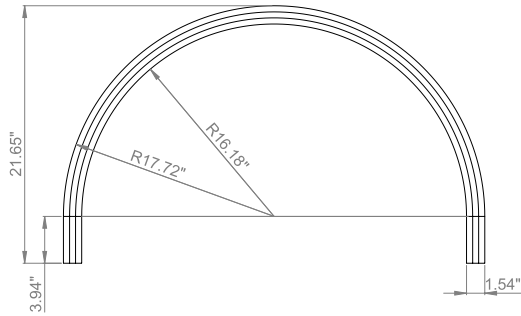
TECHOLED-MT-BC

field cuttable

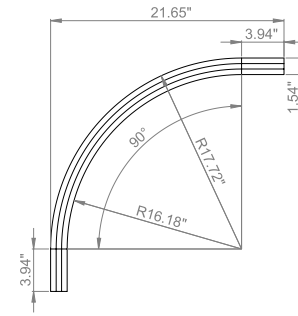
black insert module

Project:	Type:
	Comments:

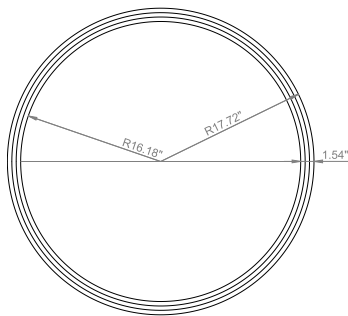
Patterns Option Examples



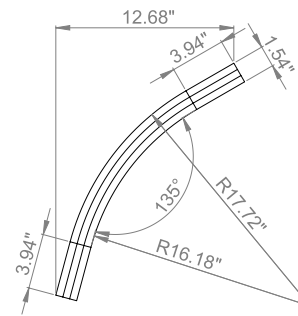
Half Circle 90°



Corner 90°



Full Circle

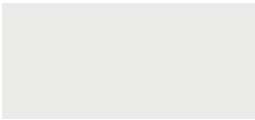


Corner 130°

Project:	Type:
	Comments:

Finish Details (powder coat finish)

■ Standard Colors



W – White



B – Black

■ Custom Colors



RAL 1003



RAL 2004



RAL 3000



RAL 4001



RAL 5002



RAL 6000



RAL 6038



RAL 7001



RAL 1036



RAL 8029

Any RAL color available, please refer to ralcolorchart.com

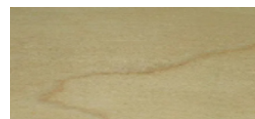
■ Custom Wooden Colors



American Walnut



Cherry



Maple



Light Oak



Palisander Santos