

Project:	Type:
	Comments:



### Highlights

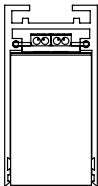
The TechoLED Magnetic Track System is a creative and flexible architectural lighting solution. The track has virtually unlimited capability to create shapes and patterns, from simple rectangles to complex curves and circles, including custom radii with both the track and the illuminated modules. Light components, ranging from solid linear, louvre, and wall washer to adjustable spotlights and pendant cylinders, snap into the track magnetically and can be repositioned by hand without tools. It is a superb and creative lighting solution for any modern interior.

**LED:** Osram & Cree LED Chips, 2700-5000K, dim-to-warm and tunable white available, 90+ CRI

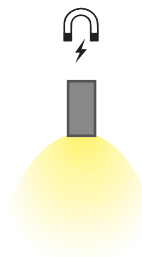
**OPTICAL:** Direct illumination, 12° - 48° beam angles available

**CONSTRUCTION:** High grade aluminum extrusion, powder coat finish, custom finishes available, 24V remote driver

### Cross Section



### Installation



Project:	Type:
	Comments:

### Configuration Example

Model #	Lumen Output	Beam Angle	Color Temp.	Finish	Contr. Options
TECHOLED-MT-LL-4-ME-12-30-W-X	Medium	12°	3000K	White	None (single)

### Ordering Guide:

Select one option from each group below. For a custom preference please contact [sales@techoled.com](mailto:sales@techoled.com)

1-FIXTURE ID	2-LUMEN OUTPUT	3-BEAM ANGLE	4-COLOR TEMPERATURE
MT-LL-16	<b>ME</b> Medium	12 12°	27 2700K
MT-LL-4		34 34°	30 3000K
MT-LL-8		48 48°	35 3500K
			40 4000K
			50 5000K
			<b>D</b> Tunable White
			<b>DM</b> Dim to Warm

5-FINISH	6-CONTROLLER OPTIONS
<b>B</b> Black	<b>X</b> None
<b>W</b> White	<b>DC</b> Double Circuit
<b>C</b> Custom (RAL#)	<b>CA</b> Casambi
	<b>DA</b> Dali
	<b>WL</b> Wireless

Project:	Type:
	Comments:

**☐ Lumen Output Details**

Model #	Beam Angle	Output	Color Temp.	Wattage	Lumen Output
TECHOLED-MT-LL-4-ME-34-30-W-X	34°	Medium	3000K	4W	320Lm
TECHOLED-MT-LL-8-ME-34-30-W-X	34°	Medium	3000K	8W	640Lm
TECHOLED-MT-LL-16-ME-34-30-W-X	34°	Medium	3000K	16W	1280Lm

Performance above applies to 90CRI, 3000K. Calculate 96% for 2700K, 104% for 3500K and 109% for 4000K.

**■ Performance**

Output	LPW
Medium	80

**☐ Fixture ID Details**

Code	Description
MT-LL-4	4W Louvre Linear Module
MT-LL-8	8W Louvre Linear Module
MT-LL-16	16W Louvre Linear Module

**☐ Controller Options Details**

Code	Description
X	None - only works with Single Circuit track
DC	Double Circuit - only works with Double Circuit track
CA	Casambi - only works with Casambi Circuit track (not available for MT-LL-4)
DA	Dali - only works with Casambi Circuit track and Dali driver (not available for MT-LL-4)
WL	Wireless (not available for MT-LL-4)

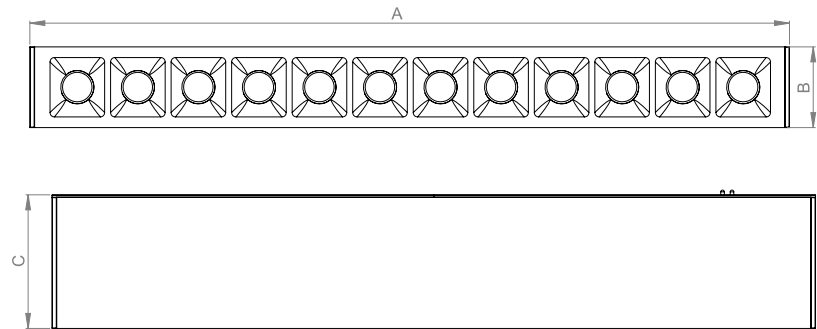
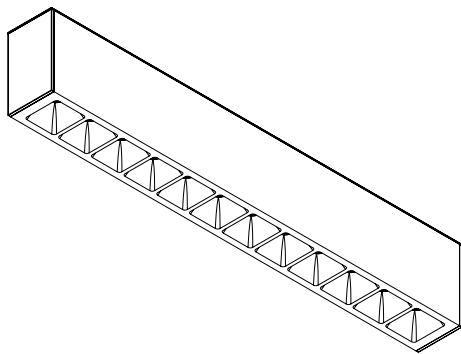
Project:	Type:
	Comments:

### Dimension and Mounting

#### TECHOLED-MT-LL-4



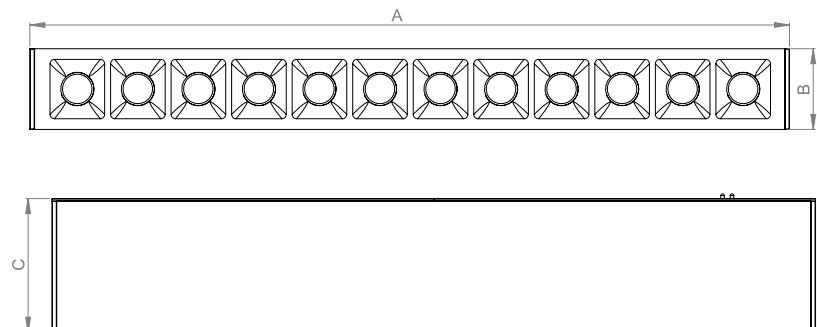
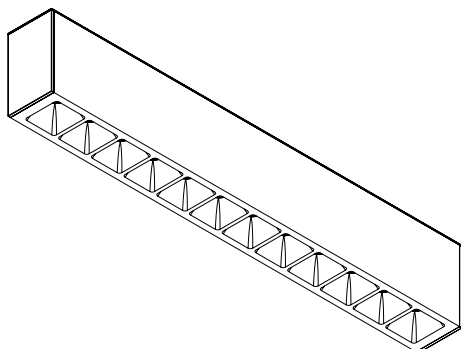
FIXTURE ID	A	B	C
MT-LL-4	3.28"	1.33"	2.16"



#### TECHOLED-MT-LL-8



FIXTURE ID	A	B	C
MT-LL-8	6.43"	1.33"	2.16"

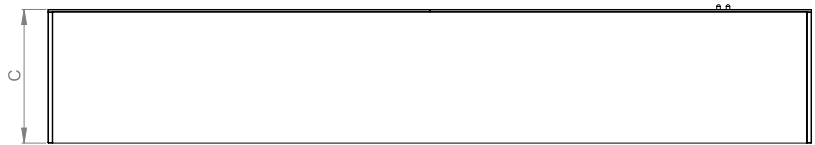
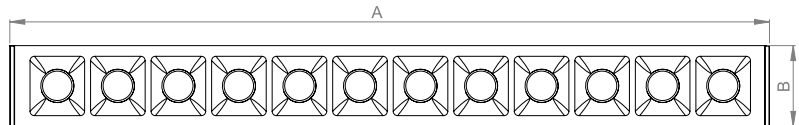
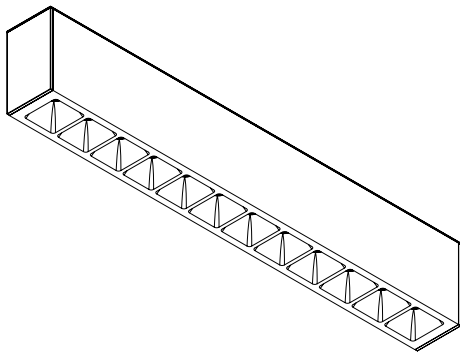


Project:	Type:
	Comments:

■ **TECHOLED-MT-LL-16**



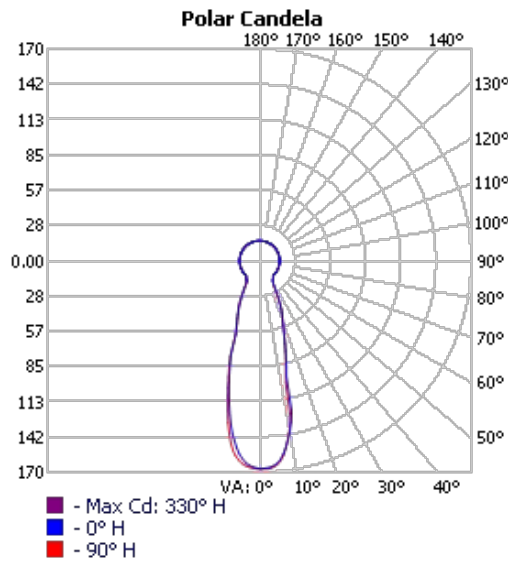
FIXTURE ID	A	B	C
MT-LL-16	12.71"	1.33"	2.16"



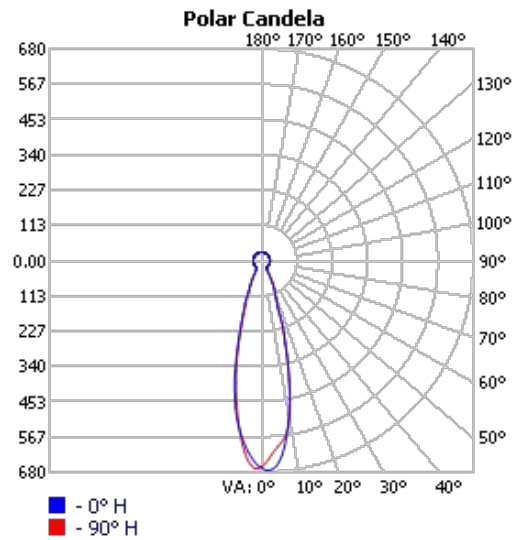
Project:	Type:
	Comments:

### Photometrics

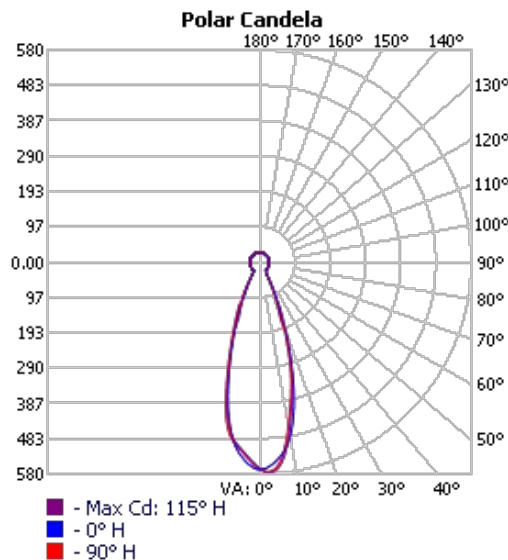
#### TECHOLED-MT-LL-4-4W-3000K



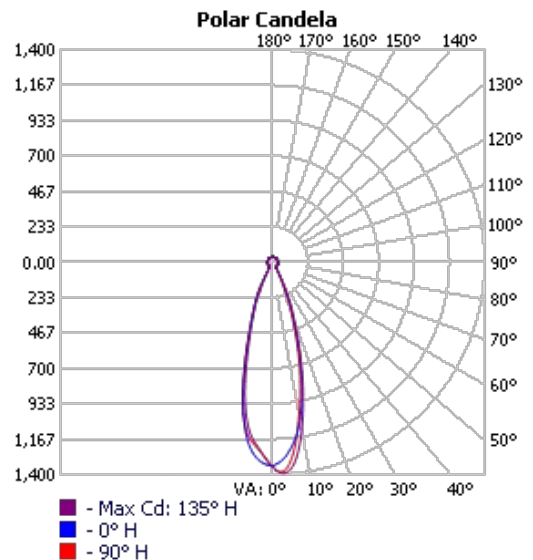
#### TECHOLED-MT-LL-8-8W-2700K



#### TECHOLED-MT-LL-8-8W-3000K

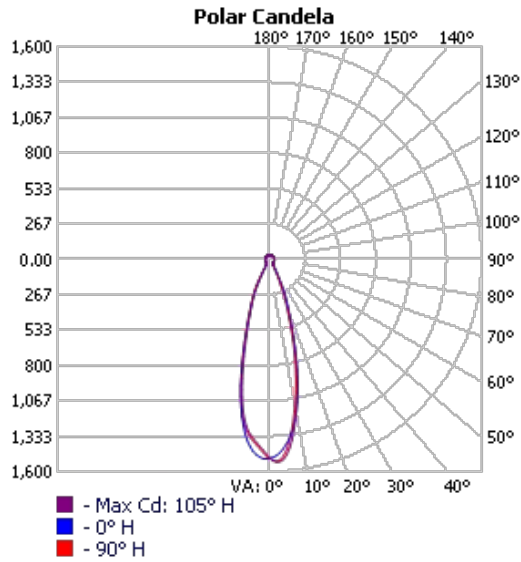


#### TECHOLED-MT-LL-16-16W-2700K



Project:	Type:
	Comments:

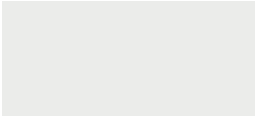
■ **TECHOLED-MT-LL-16-16W-3000K**



Project:	Type:
	Comments:

**Finish Details (powder coat finish)**

**Standard Colors**



W – White



B – Black

**Custom Colors**



RAL 1003



RAL 2004



RAL 3000



RAL 4001



RAL 5002



RAL 6000



RAL 6038



RAL 7001



RAL 1036



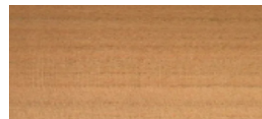
RAL 8029

Any RAL color available, please refer to [ralcolorchart.com](http://ralcolorchart.com)

**Custom Wooden Colors**



American Walnut



Cherry



Maple



Light Oak

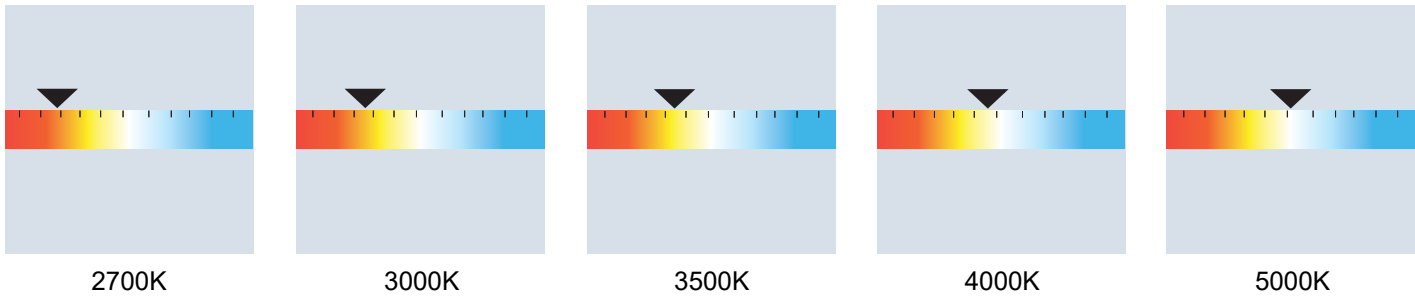


Palisander Santos

Project:	Type:
	Comments:

### Color Temperature

#### Color Temperature



#### Tunable White

