

Project:	Type:
	Comments:



Highlights

Indoor Modular Linear System, with full ability to create continuous linear runs and patterns

LED: Samsung LED chips, High Efficiency 160-180Lm/W, 80CRI, 3000K-5000K

Construction: High grade steel housing, PC diffuser, linkable, IP20

Model #	Length	Wattage	Distribution	Lumen Output
TECHOLED-ML-D-30	4'	30W	Direct	5400Lm
TECHOLED-ML-D-40	4'	40W	Direct	7200Lm
TECHOLED-ML-D-60	8' (2x4')	60W	Direct	10800Lm
TECHOLED-ML-D-80	8' (2x4')	80W	Direct	14400Lm

Project:	Type:
	Comments:

Configuration Example

Model #	Distribution	Wattage	Color Temp.	Beam Angle	Voltage	Finish
TECHOLED-ML-D-30-30-30-U-W	Direct	30W	3000K	30°	110-277V	White

Ordering Guide:

Select one option from each group below. For a custom preference please contact sales@techoled.com

1-FIXTURE ID		2-DISTRIBUTION		3-WATTAGE		4-COLOR TEMPERATURE	
ML	ML	D	Direct	30	30W/4'	30	3000K
				40	40W/4'	35	3500K
				60	60W /8'	40	4000K
				80	80W/8'	50	5000K

5-BEAM ANGLE		6-VOLTAGE		7-FINISH		8-MOUNTING	
30	30°	U	120-277V	W	White	P	Pendant
60	60°					SM	Surface Mount
90	90°						
120	120°						
LA	Left Asymmetric						
RA	Right Asymmetric						
BW	Batwing						

9-DRIVER OPTIONS		10-OPTIONS	
DM	0-10V Dimming	EM	EM Battery (remote)
X	None	X	None

Options Details

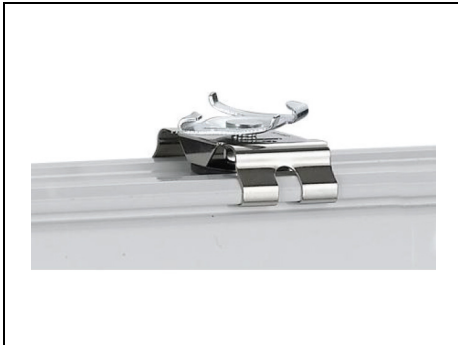
Code	Description
EM	Emergency Battery Backup (remote)

Project:	Type:
	Comments:

□ Mounting and Connectors



Suspended | Chain, Rod, Cord



Surface Mounted | Surface or T-bar



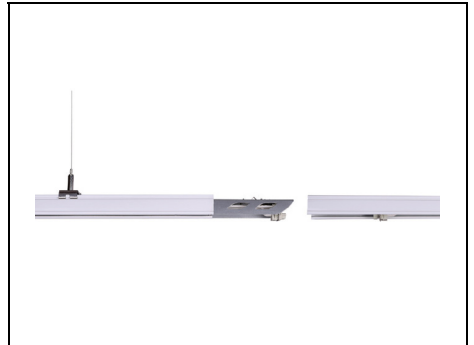
Power feed-in | Feed-in box or feed-in connector



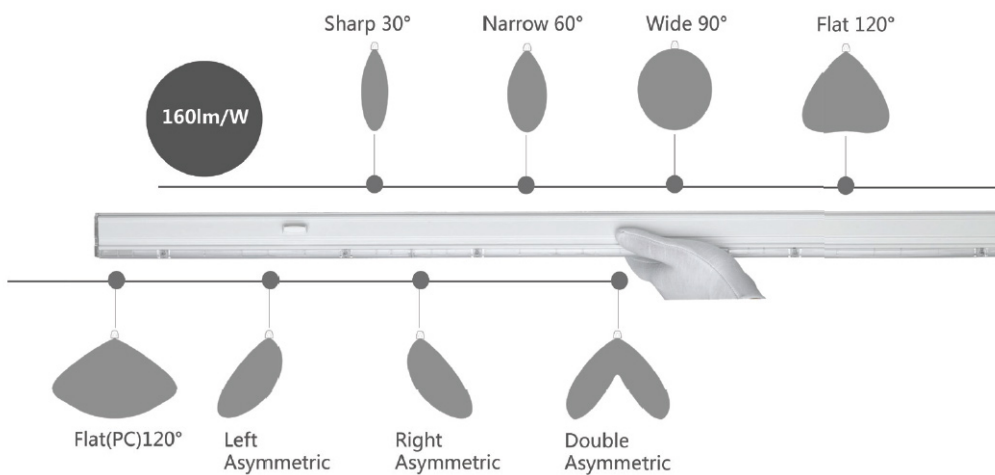
Close Accessories | End cup, Blank cover



Node Connector | L/T/X



□ Optic Beam Angle

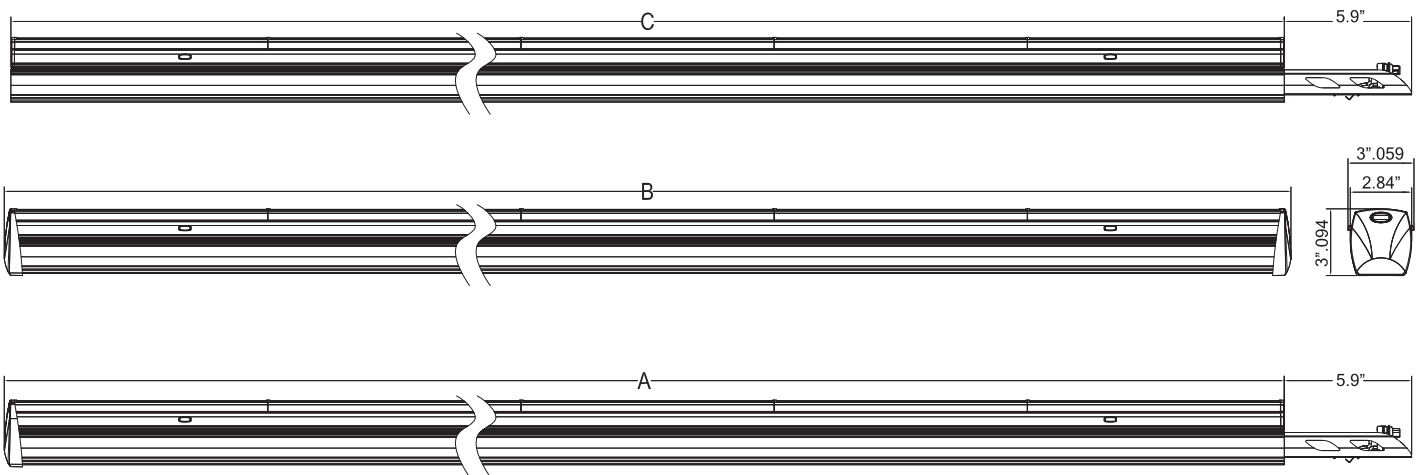


Project:	Type:
Comments:	

Photometrics

Beam Angle	Beam Angle	Beam Angle	Beam Angle	Beam Angle	Beam Angle	Beam Angle
FD-120° extremely wide	WD-90° wide	NR-60° narrow	SP-30° extremely narrow	LS / RS asymmetrical	DS double asymmetrical	FF diffuse
4,800-9,600lm	4,800-9,600lm	4,800-9,600lm	4,800-9,600lm	4,800-9,600lm	4,800-9,600lm	4,800-9,600lm
Installation height: 2.5-5 m	Installation height: 3-5 m	Installation height: 6-16 m	Installation height: > 10 m	Installation height: 3-4 m	Installation height: 3-4 m	Installation height: 2.5-5 m

Dimension and Mounting



	A	B	C
4FT	3.96"	3.99"	3.94"
5FT	4.94"	4.97"	4.92"
8FT	7.91"	7.93"	7.88"
10FT	9.86"	9.89"	9.84"