

Project:	Type:
	Comments:

Round



Square



Highlights

1" aperture shallow, high output, architectural downlight

LED: Cree-LED chips, 2700-6000K, CRI>90, 100,000 hour rated lifespan

Optical: 24°, 36° and 48° beam angle, square and round aperture

Construction: High grade steel and aluminum, shallow 1.3" housing, Perspex diffuser, remote driver, powder coat finish, trimless, damp location listed, IC rated

Project:	Type:
	Comments:

Configuration Example

Model #	Aperture	Wattage	Color Temp.	Beam Angle	Voltage	Finish	Lumen Output
TECHOLED-MX-S-16-27-24-U-B	Square	16W	2700K	24°	110-277V	Black	1154Lm

Ordering Guide:

Select one option from each group below. For a custom preference please contact sales@techoled.com

1-FIXTURE ID		2-APERTURE		3-WATTAGE		4-COLOR TEMPERATURE	
MX	Micro Series	S	Square	16	16W	27	2700K
		R	Round			30	3000K
						35	3500K
						40	4000K

5-BEAM ANGLE		6-VOLTAGE		7-FINISH		8-MOUNTING	
24	24°	U	110-277V	B	Black	NC	New Construction
36	36°			W	White	RM	Remodel
48	48°						

9-DRIVER OPTIONS		10-OPTIONS		11-OPTIONS (CONT.)	
DM	0-10V Dimming	M	Motion Sensor (remote)	EM	EM Battery (remote)
DM1%	1% Dimming	X	None	X	None

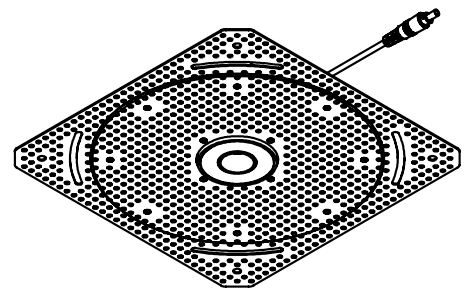
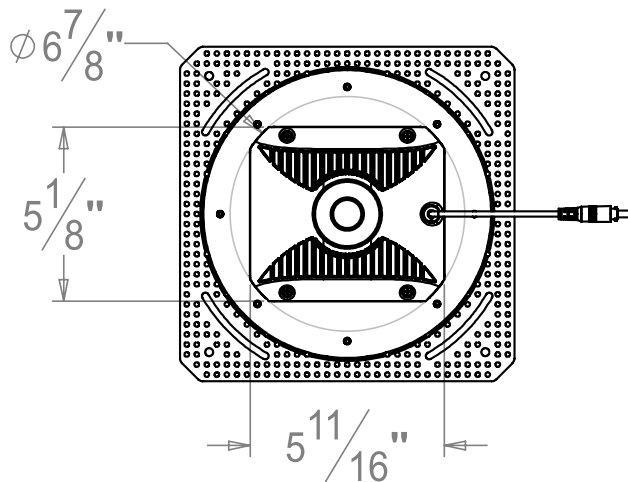
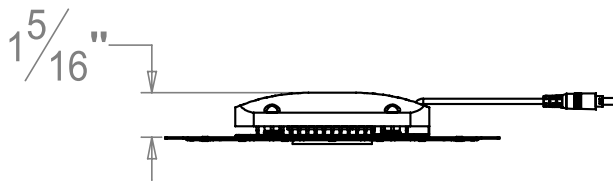
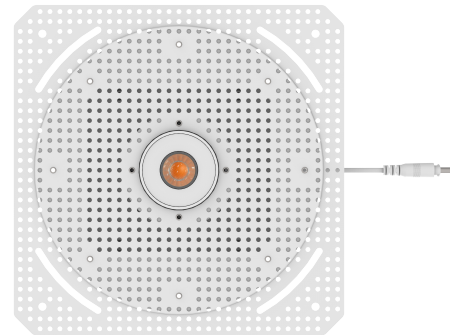
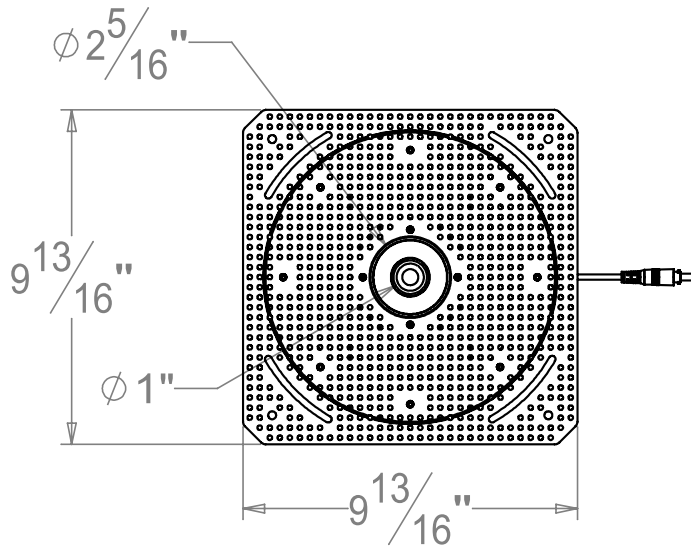
Options Details

Code	Description
EM	Emergency Battery Backup (remote)

Project:	Type:
	Comments:

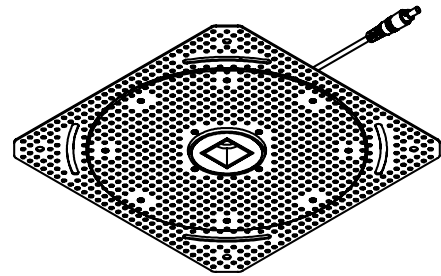
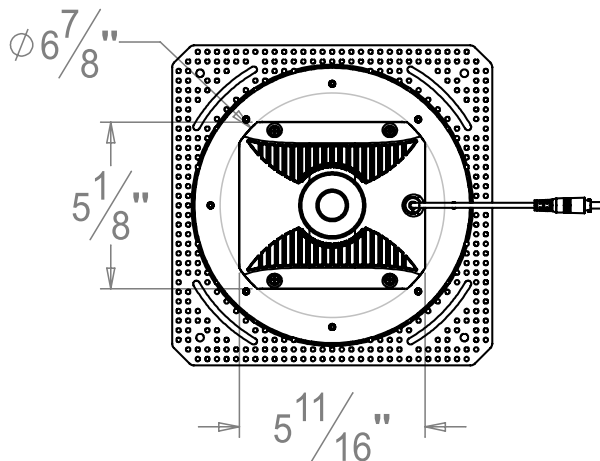
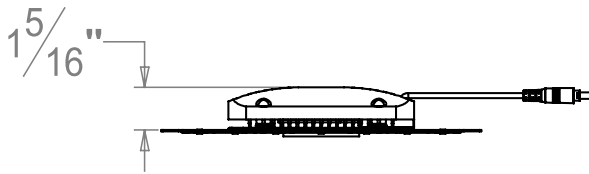
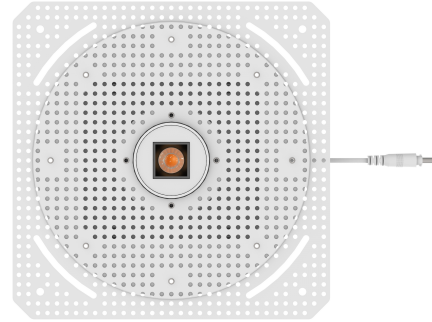
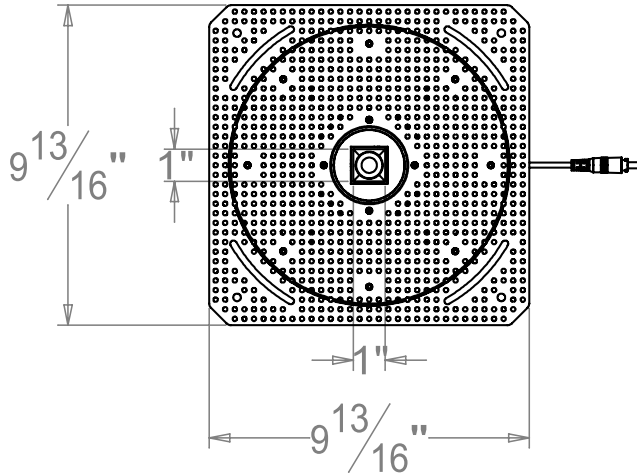
Dimensions and Mounting

Round

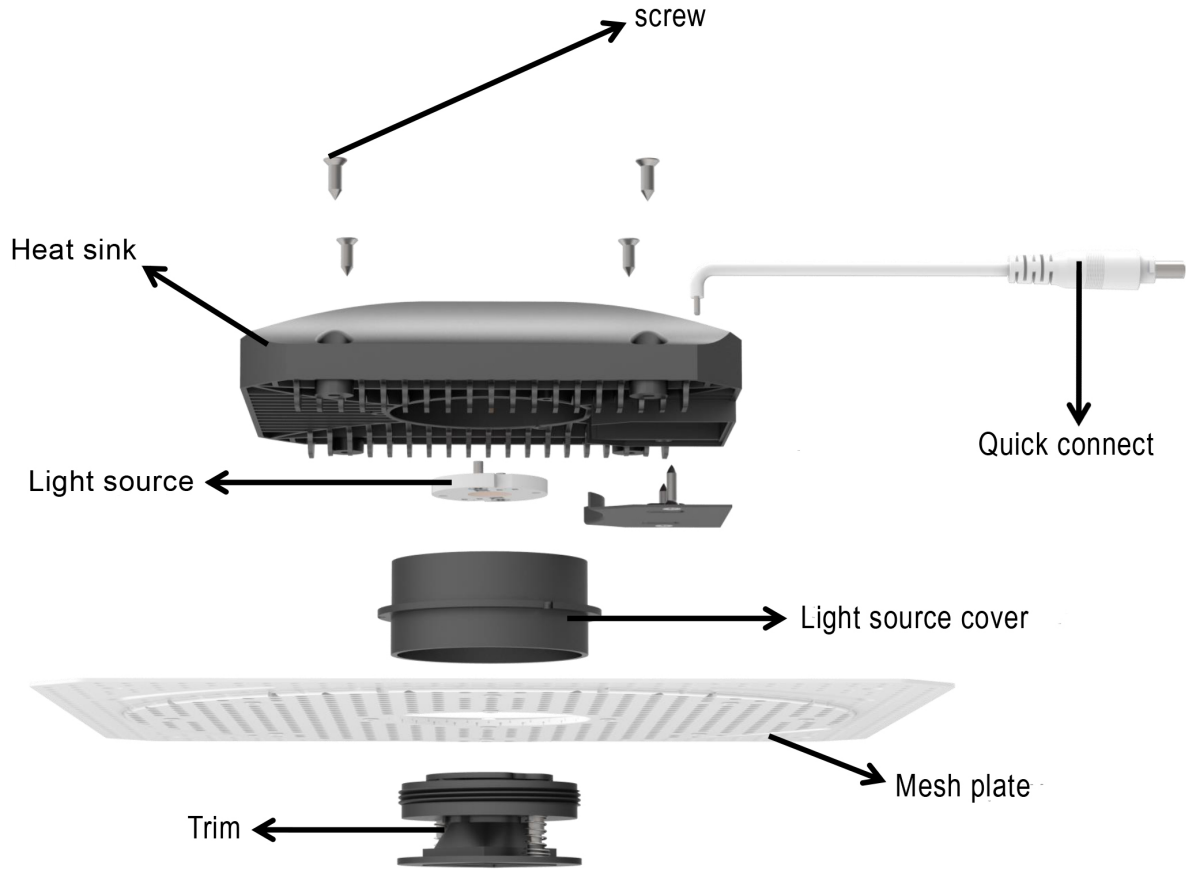


Project:	Type:
	Comments:

Square

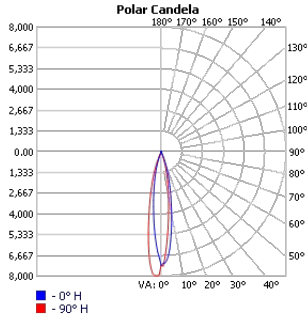


Project:	Type:
	Comments:

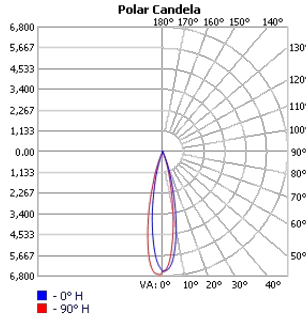


Project:	Type:
	Comments:

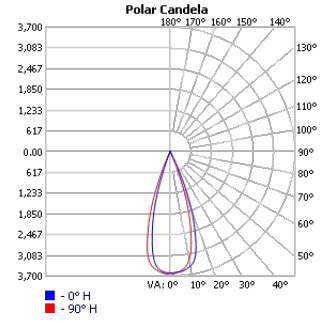
Photometrics



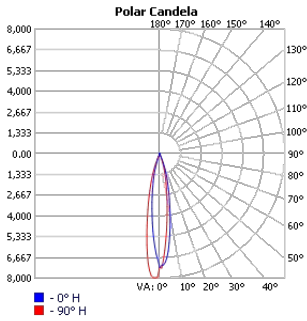
TECHOLED-MX-R-16-30-24



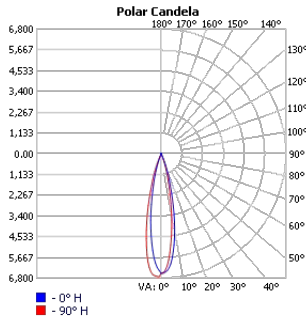
TECHOLED-MX-R-16-30-36



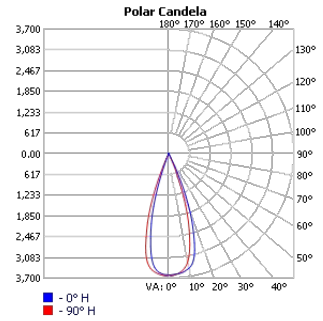
TECHOLED-MX-R-16-30-48



TECHOLED-MX-S-16-30-24



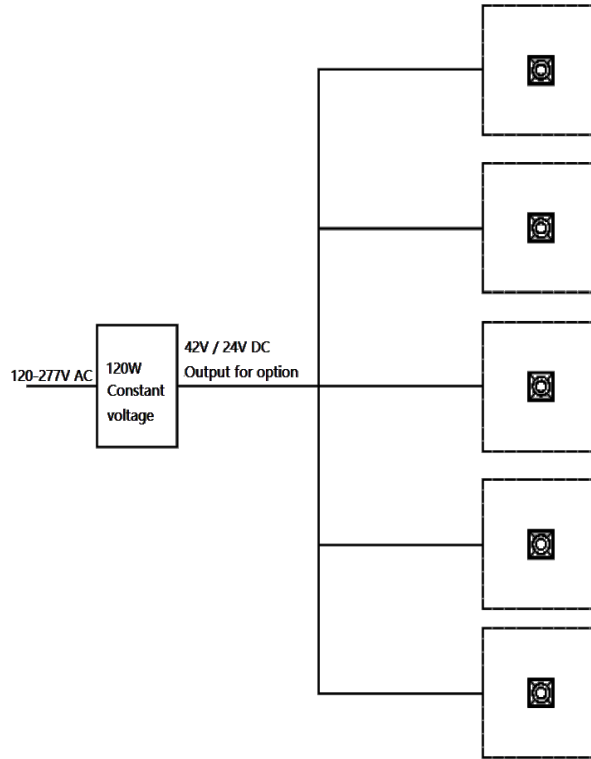
TECHOLED-MX-S-16-30-36



TECHOLED-MX-S-16-30-48

Project:	Type:
	Comments:

Wiring Diagram



Line Pressure Drop Reference Table

	18AWG	16AWG	14AWG	12AWG	10AWG
1 Light	120'	250'	400'	630'	1000'
2 Lights	80'	120'	200'	320'	500'
3 Lights	52'	83'	132'	210'	330'
4 Lights	40'	60'	100'	160'	250'
5 Lights	32'	50'	80'	125'	200'

Driver output line voltage drop reference table (out=42V/24V lamp=16W Voltage drop≤5%)