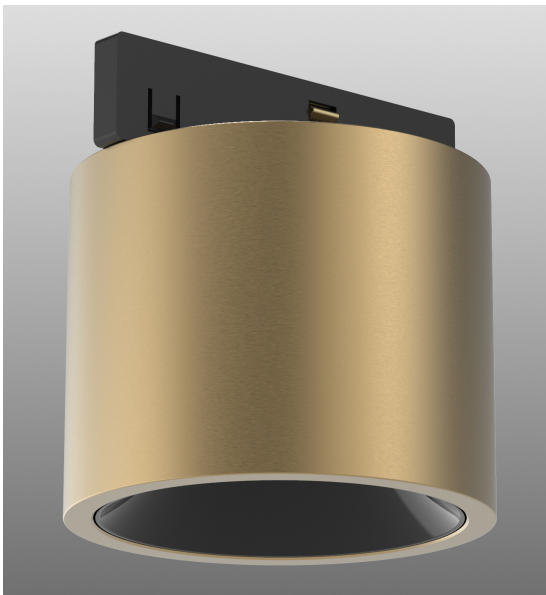


Project:	Type:
	Comments:



Highlights

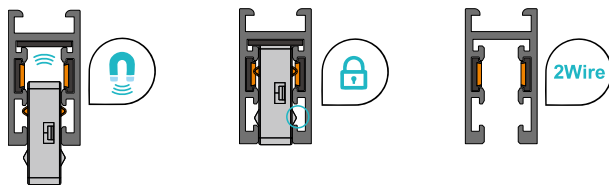
The TechoLED NANO Track System is the world's smallest track, with an aperture of just 0.2". The track has virtually unlimited capability to create shapes and patterns. It can be installed surface-mounted, mud-in recessed, and projecting. Light components, ranging from solid lensed and louvered to spots and cylinders, snap in and out magnetically by hand, without tools. It is the ultimate minimalist lighting solution for any modern interior.

LED: Bridgelux LED Chips, 2700-5000K, 90+ CRI

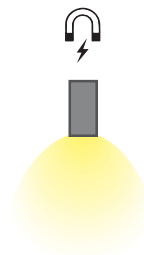
Optical: Direct illumination, 18° beam angle

Construction: High-grade aluminum extrusion, PC diffuser, powder coat finish, custom finishes available, 24V remote driver

Cross Section



Installation



Project:	Type:
	Comments:

Configuration Example

Model #	Lumen Output	Diameter	Color Temp.	Finish
TECHOLED-NT-C-ME-2-30-B	Medium	2.2"	3000K	Black

Ordering Guide:

Select one option from each group below. For a custom preference please contact sales@techoled.com

1-FIXTURE ID	2-LUMEN OUTPUT	3-DIAMETER	4-COLOR TEMPERATURE
NT-C	ME Medium	2 2.16"	27 2700K 30 3000K 35 3500K 40 4000K 50 5000K

5-FINISH

- B** Black
- W** White
- C** Custom (RAL#)

Project:	Type:
	Comments:

Fixture ID Details

Code	Description
NT-C	NANO Track - Cylinder Module

Lumen Output Details

Model #	Output	Diameter	Color Temp.	Wattage	Lumen Output
TECHOLED-NT-C-ME-2-30	Medium	2.2"	3000K	9W	675Lm

Performance above applies to 90CRI, 3000K. Calculate 96% for 2700K, 104% for 3500K and 109% for 4000K.

Performance

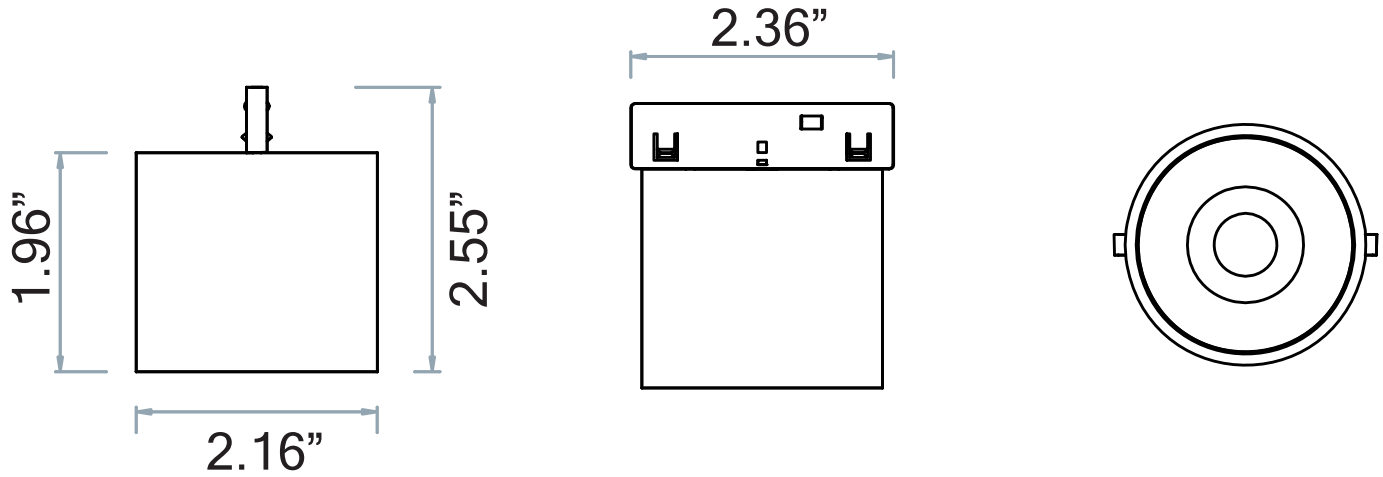
Output	Lumens / W
Medium	75

Diameter Details

Code	Description
2	2.16" (diameter)

Project:	Type:
	Comments:

Dimension and Mounting



Project:	Type:
	Comments:

System Overview



Project:	Type:
	Comments:

 **Photometrics**

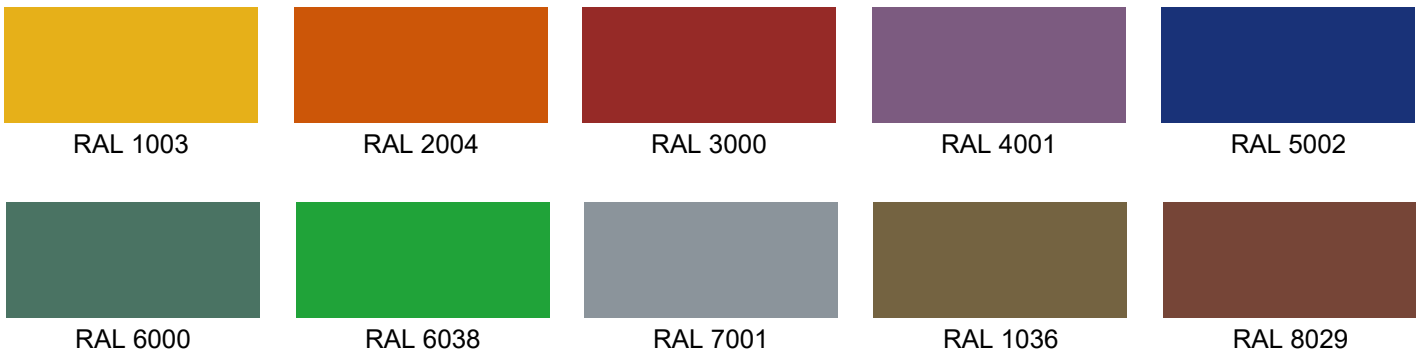
Project:	Type:
	Comments:

Finish Details (powder coat finish)

■ Standard Colors

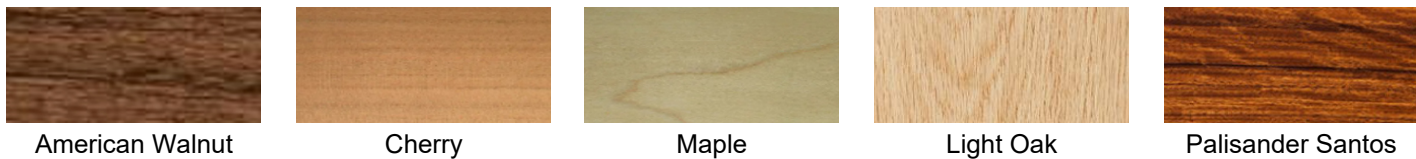


■ Custom Colors



Any RAL color available, please refer to ralcolorchart.com

■ Custom Wooden Colors



Project:	Type:
	Comments:

Color Temperature

Color Temperature

