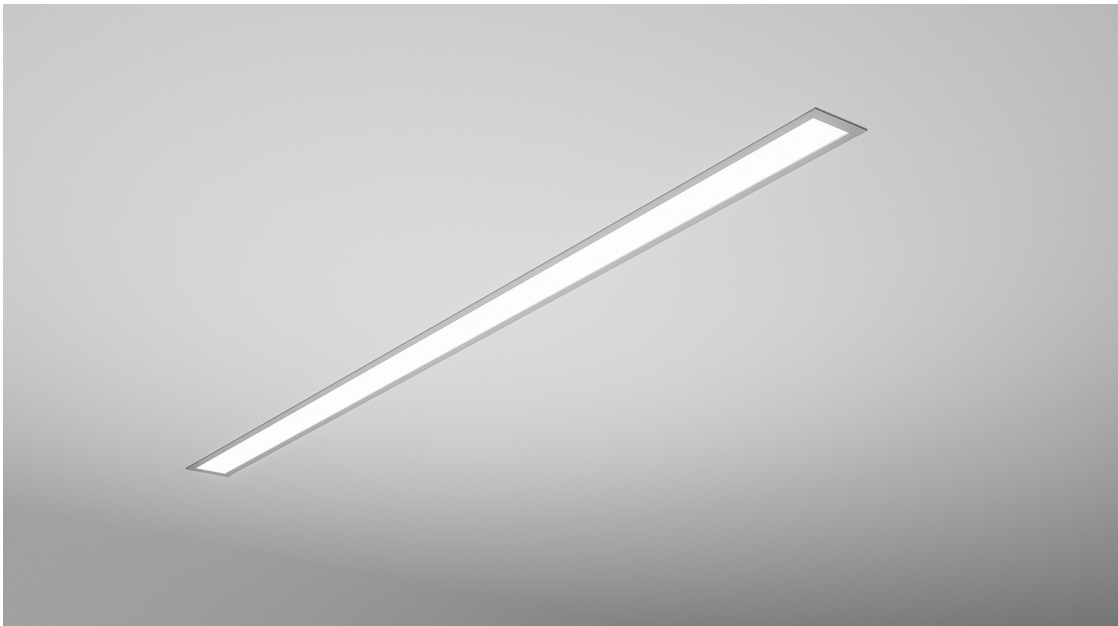


Project:	Type:
	Comments:



Highlights

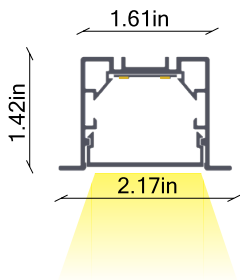
RF-2 series is specification grade, architectural linear fixture, with virtually unlimited possibilities to create patterns, continuous runs and shapes. Recessed into drywall, wood or grid ceilings. Wide ranging customization options, from custom lumen packages, sizes and finishes. Great and simple lighting solution for all modern interiors.

LED: Samsung LED chips, 2700-5000K, tunable white and RGB/W available, 90CRI

Optical: Direct illumination, 110° beam angle

Construction: High grade aluminum extrusion, die cast end caps, PMMA diffuser, integral driver, powder coat finish, X, T, L Lit corners available for smooth, seamless patterns, damp location listed.

Cross Section



Installation



Project:	Type:
	Comments:

Configuration Example

Model #	Distribution	Length	Lumen Output	Color Temp.	Voltage	Color
TECHOLED-RF-2-D-4-LO-27-U-W	Direct	4'	Low	2700K	100-277V	White

Ordering Guide:

Select one option from each group below. For a custom preference please contact sales@techoled.com

1-FIXTURE ID		2-DISTRIBUTION		3-LENGTH		4-LUMEN OUTPUT	
RF-2	RF-2	D	Direct	4	4'	LO	Low
		DWW	Direct, Wall Wash	6	6'	ME	Medium
				8	8'	HI	High
				C	Custom		

5-COLOR TEMP.		6-VOLTAGE		7-FINISH		8-MOUNTING	
27	2700K	U	100-277V	S	Silver	TC	TC
30	3000K	HV	347V	W	White	R	Recessed
35	3500K			B	Black	TG15	TG15
40	4000K			C	Custom (RAL#)	TG9	TG9
50	5000K					SG	SG
DT	Lutron T-series						
RGB	RGB						
RGBW	RGBW						
D	Tunable White						

9-DRIVER OPTIONS		10-OPTIONS		11-OPTIONS (CONT.)	
DM	0-10V Dimming	RF-D	Remote Tunable (RF only)	EM	EM Battery (remote)
2C	2 Channel	RF-R	Remote RGB/W (RF only)	X	None
DM1%	1% Dimming	M	Motion Sensor (remote)		
LT1	LDE1 Lutron 1%	BM	BubblyNet BT Mesh		
DA	Dali	CS	Casambi		
DMX	DMX	AWN	Lutron Athena Node		
TR	Triac Dimming	AWNS	Lutron Athena Node sensor		
RF	RF Wireless	NL-ES7	nLight - Wired		
X	None	NL-AIR	nLight - AIR		
		NL-M	nLight - Module only		
		X	None		

Project:	Type:
	Comments:

Lumen Output Details

Model #	Length	Output	Color Temp.	Wattage	Lumen Output
TECHOLED-RF-2-D-4-LO-30	4'	Low	3000K	15W	1160Lm
TECHOLED-RF-2-D-4-ME-30	4'	Medium	3000K	23W	1760Lm
TECHOLED-RF-2-D-4-HI-30	4'	High	3000K	31W	2340Lm
TECHOLED-RF-2-D-6-LO-30	6'	Low	3000K	23W	1740Lm
TECHOLED-RF-2-D-6-ME-30	6'	Medium	3000K	35W	2640Lm
TECHOLED-RF-2-D-6-HI-30	6'	High	3000K	46W	3510Lm
TECHOLED-RF-2-D-8-LO-30	8'	Low	3000K	31W	2320Lm
TECHOLED-RF-2-D-8-ME-30	8'	Medium	3000K	47W	3520Lm
TECHOLED-RF-2-D-8-HI-30	8'	High	3000K	61W	4680Lm

Performance above applies to 90 CRI, 3000K. Calculate 96% for 2700K, 104% for 3500K and 109% for 4000K

Performance

Output	Lumens / W	W / ft	Lumens / ft
Low	77	3.8	290
Medium	77	5.8	440
High	77	7.6	585

Project:	Type:
	Comments:

Driver Option Details

Code	Description
LT1	LDE1 - Lutron Hi-lume 1% EcoSystem, Soft-on, Fade-to Black Dimming
DA	DALI
DMX	DMX - Decoder provided by TechoLED, controller by others

Controls Details

Code	Description
RF-D	RF Wireless remote controller for tunable white. Default for tunable white.
RF-R	RF Wireless remote controller for RGB & RGBW. Default for RGB & RGBW.
M	Motion Sensor - remote, for integral sensor consult factory
BM	Bluetooth Mesh Smart Wireless Control by BubblyNet
CS	Bluetooth Mesh Smart Wireless Control by Casambi
AWN R	Lutron Athena wireless node
AWN S	Lutron Athena wireless node with sensor
NL-ES7	Acuity nLight - Wired nES7 sensor
NL-AIR	Acuity nLight - AIR wireless rES7 sensor
NL-M	Acuity nLight - ready, sensor by others

Options (cont.) Details

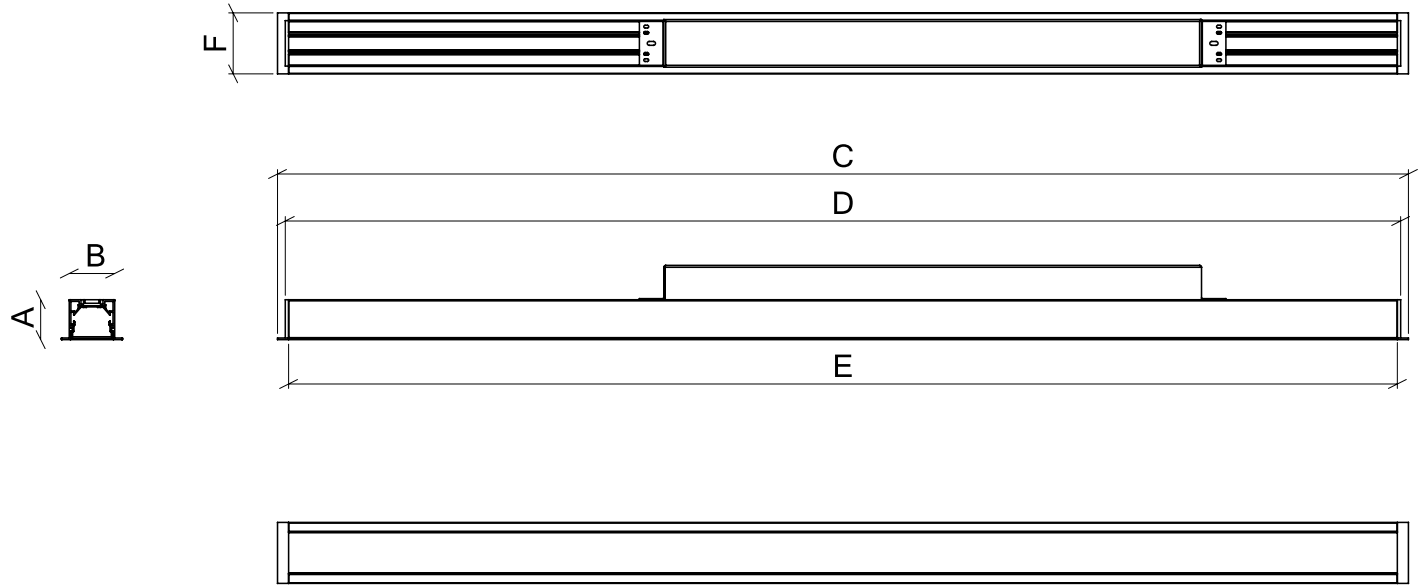
Code	Description
EM	Emergency Battery Backup (remote)

Mounting Details

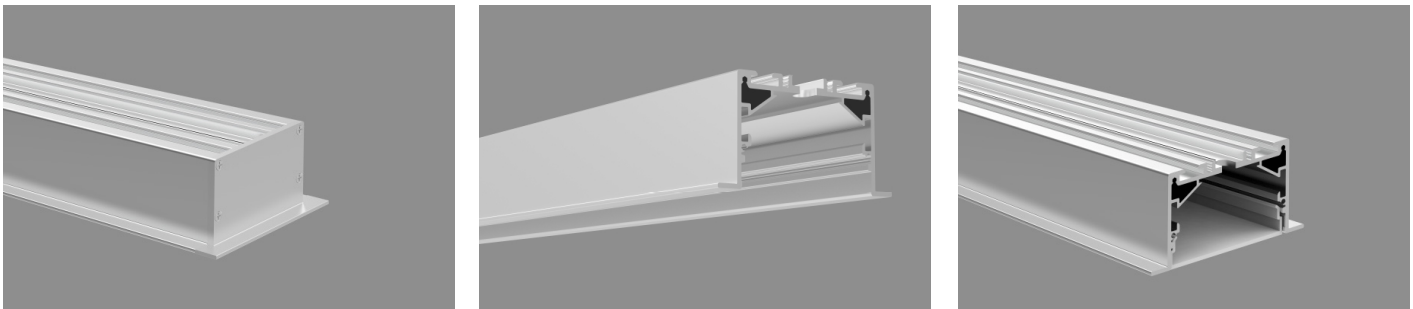
Code	Description
TC	Recessed - Torsion Clips
R	Recessed
TG15	15/16" T Grid
TG9	9/16" T Grid
SG	Slot Grid

Project:	Type:
	Comments:

Dimension and Mounting

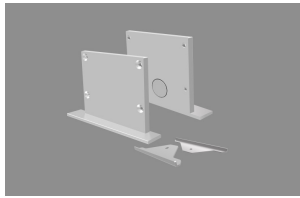
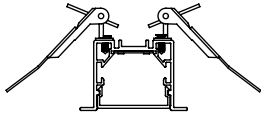


FIXTURE ID	A	B	C	D	E	F
RF-2-D-2	1.42"	1.61"	24.84"	24.29"	24.06"	2.17"
RF-2-D-4	1.42"	1.61"	48.86"	48.31"	48.07"	2.17"
RF-2-D-6	1.42"	1.61"	72.83"	72.28"	72.05"	2.17"
RF-2-D-8	1.42"	1.61"	96.85"	96.85"	96.06"	2.17"

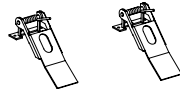
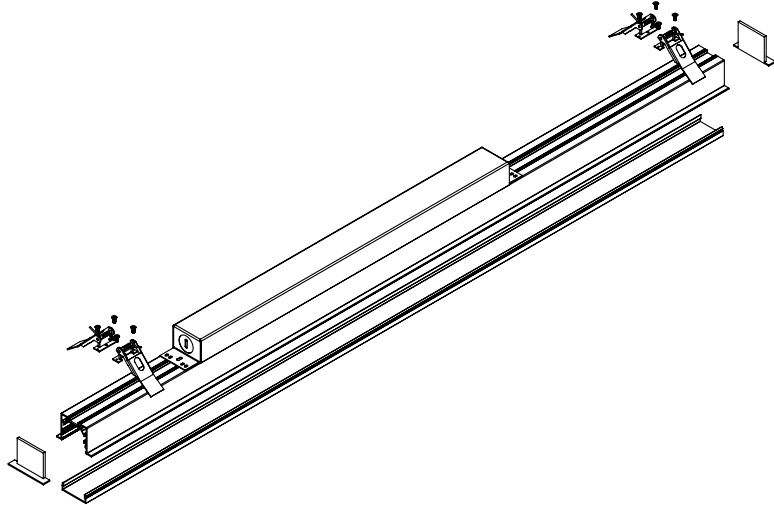


Project:	Type:
	Comments:

■ **Recessed – Torsion Clips**

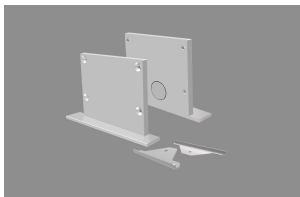
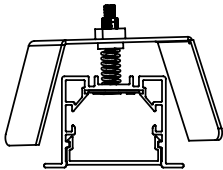


End Cap detail

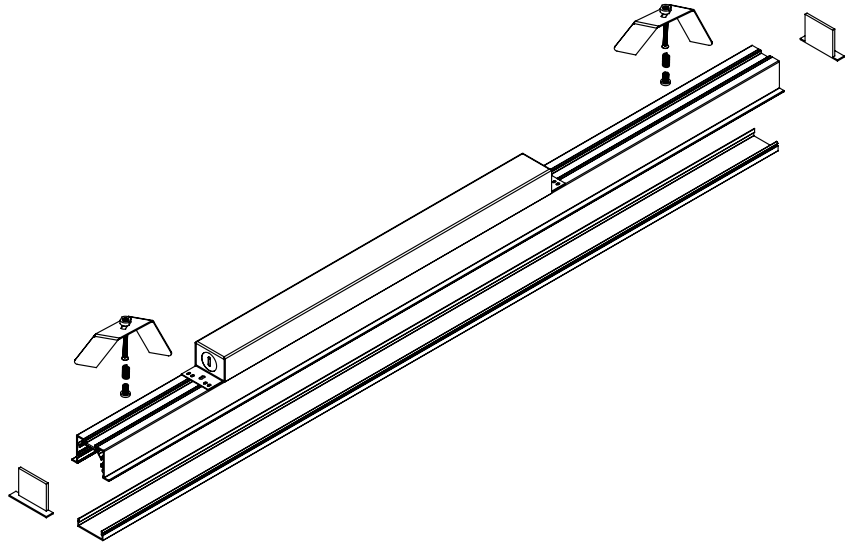


■ **Recessed Torsion Clips Kit**

■ **Recessed**



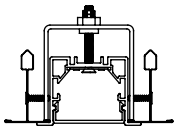
End Cap detail



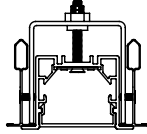
■ **Recessed Kit**

Project:	Type:
	Comments:

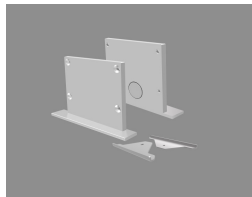
■ Recessed in T Grid Ceiling



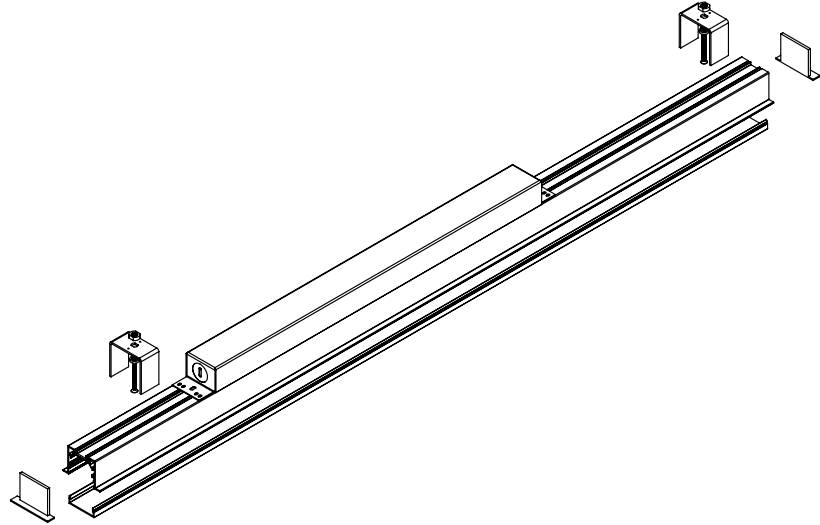
15/16" T-Grid



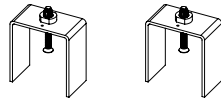
9/16" T-Grid



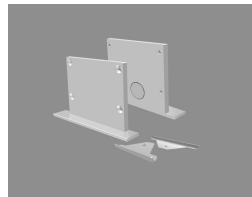
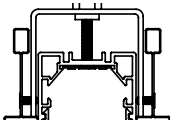
End Cap detail



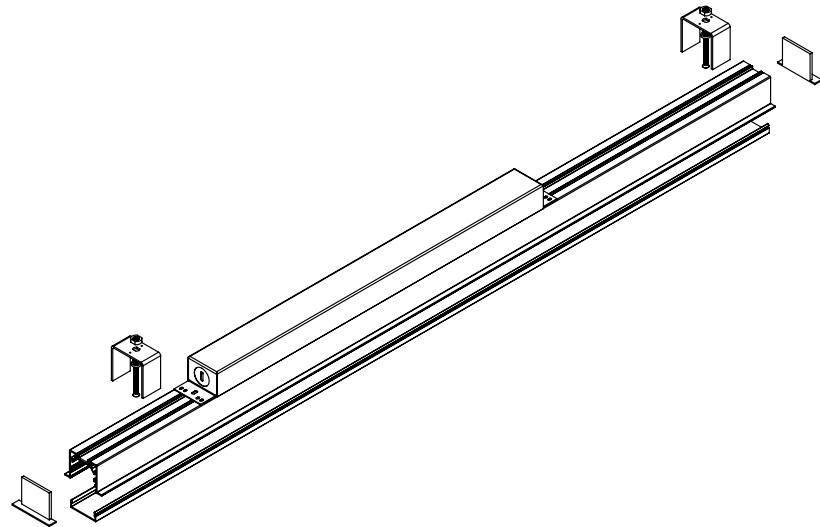
■ Recessed in T Grid Ceiling



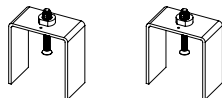
■ Recessed in Slot Grid



End Cap detail

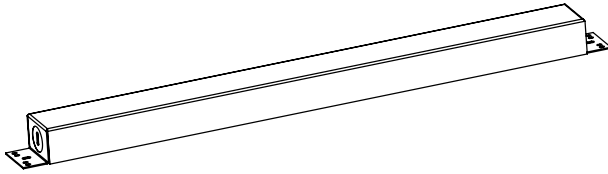
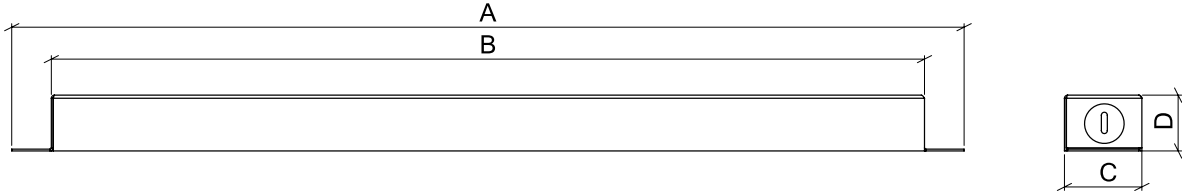


■ Recessed Kit



Project:	Type:
	Comments:

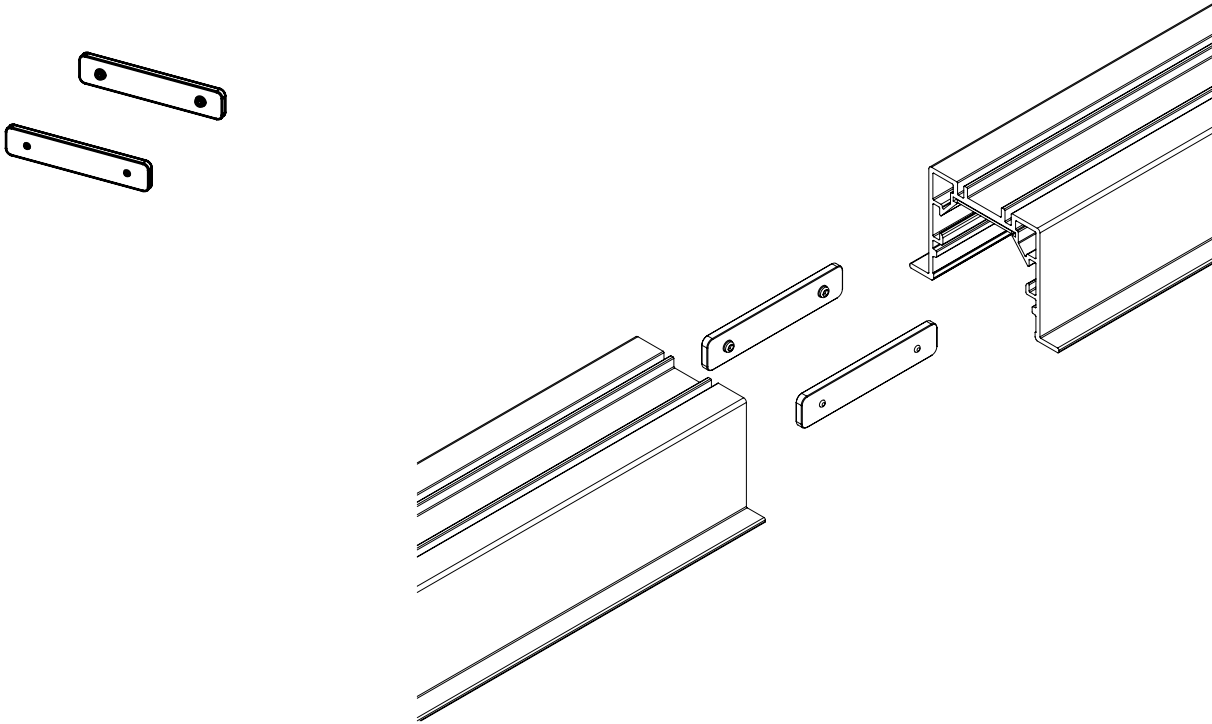
■ **Driver Box**



A	B	C	D
20.83"	19.1"	1.69"	1.22"

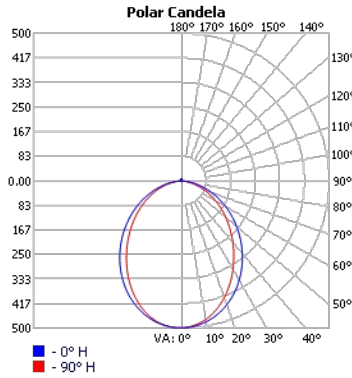
Project:	Type:
	Comments:

Connectors

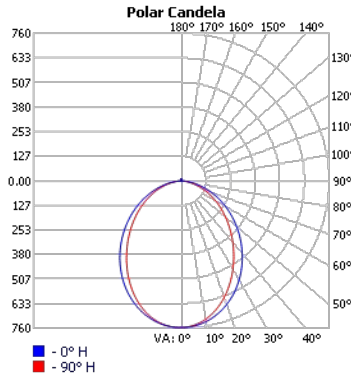


Project:	Type:
Comments:	

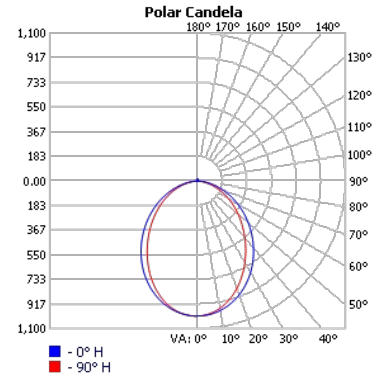
Photometrics



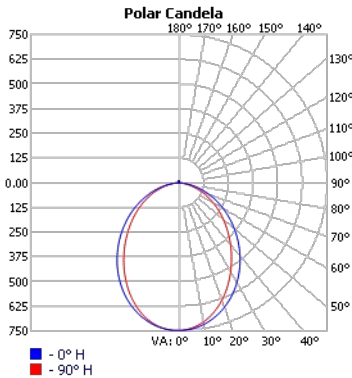
TECHOLED-RF-2-D-4-LO-30



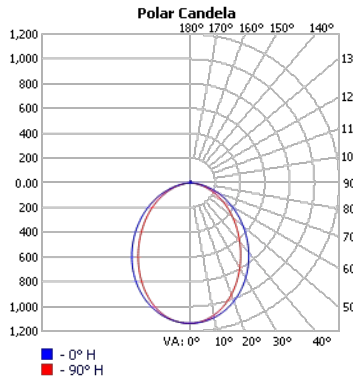
TECHOLED-RF-2-D-4-ME-30



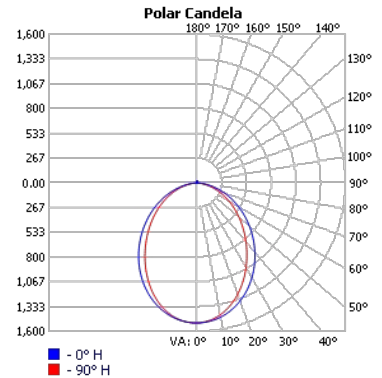
TECHOLED-RF-2-D-4-HI-30



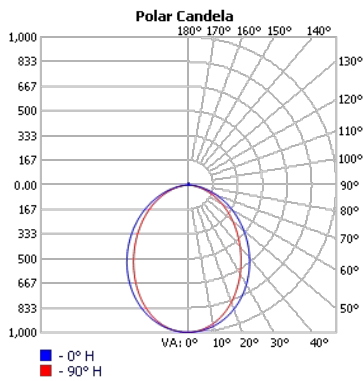
TECHOLED-RF-2-D-6-LO-30



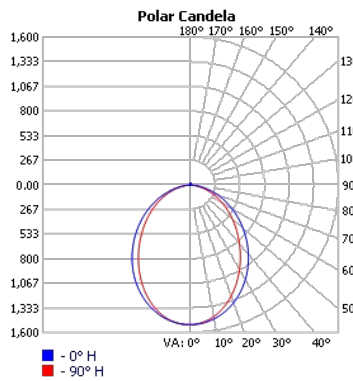
TECHOLED-RF-2-D-6-ME-30



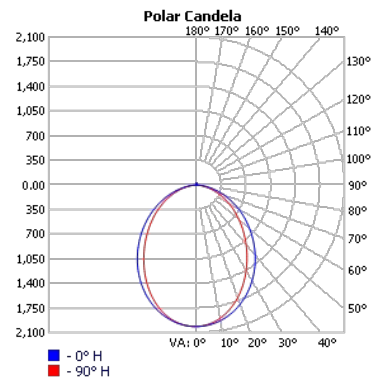
TECHOLED-RF-2-D-6-HI-30



TECHOLED-RF-2-D-8-LO-30



TECHOLED-RF-2-D-8-ME-30



TECHOLED-RF-2-D-8-HI-30

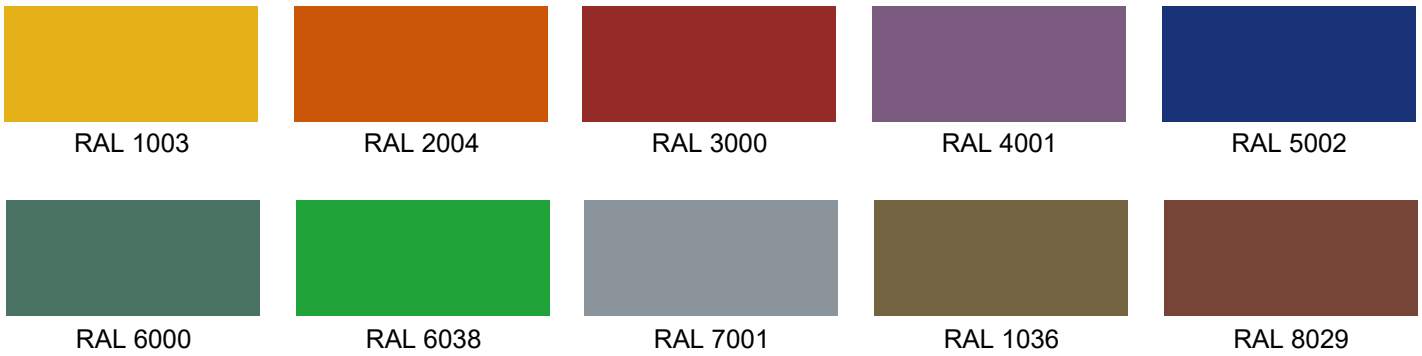
Project:	Type:
	Comments:

Finish Details (powder coat finish)

■ Standard Colors

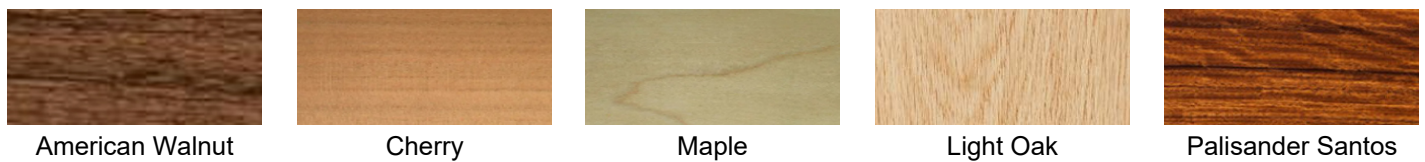


■ Custom Colors



Any RAL color available, please refer to ralcolorchart.com

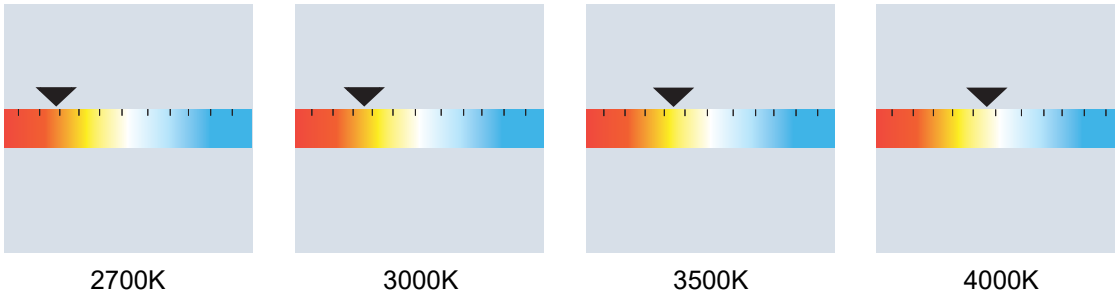
■ Custom Wooden Colors



Project:	Type:
	Comments:

Color Temperature

Color Temperature



Tunable White

