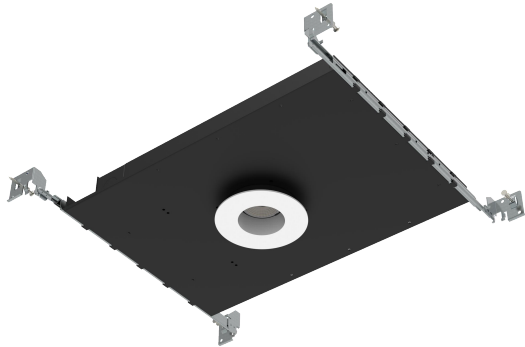
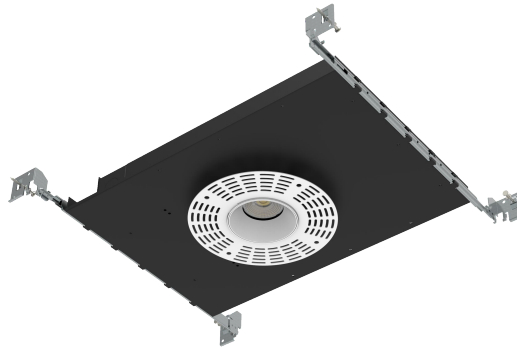


Project:	Type:
	Comments:



Trimmed



Trimless



Highlights

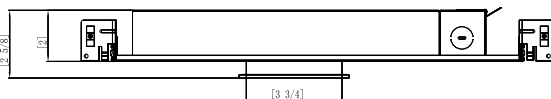
SD-R-3 Series are specification grade shallow downlights, featuring simple look, high efficacy and high-quality components. Designed for new construction recessed applications, available in wide variety of color temperatures and lumen outputs, as well as multiple trim and reflector finish options. Great lighting solution for any modern interior.

LED: Cree-LED Chips, 2700-6000K, 90+CRI

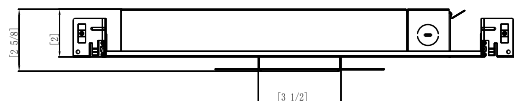
Optical: 12°, 24° and 36° beam angle options

Construction: 3" round aperture, high grade steel 2.5" shallow housing, frosted Perspex diffuser, integral driver, powder coat finish, trimmed or trimless, damp location listed

Cross Section

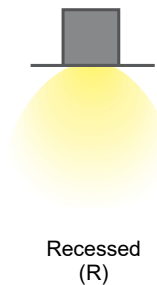


Trimmed



Trimless

Installation



Recessed (R)

Project:	Type:
	Comments:

Configuration Example

Model #	Optics	Wattage	Color Temp.	Beam Angle	Voltage
TECHOLED-SD-R-3-D-10-27-12-U	Direct	10W	2700K	12°	110-277V

Ordering Guide:

Select one option from each group below. For a custom preference please contact sales@techoled.com

1-FIXTURE ID	2-OPTICS	3-WATTAGE	4-COLOR TEMPERATURE
SD-R-3 SDR-3	D Direct	10 10W	27 2700K
		16 16W	30 3000K
		23 23W	40 4000K
			50 5000K
			60 6000K

5-BEAM ANGLE	6-VOLTAGE	7-FINISH	8-TRIM
12 12°	U 110-277V	W White	F Flanged
24 24°		B Black	TL Trimless
36 36°		C Custom (RAL#)	

9-DRIVER OPTIONS	10-OPTIONS
DM 0-10V Dimming	EM EM Battery (remote)
DM1% 1% Dimming	X None
LT1 LDE1 Lutron 1%	
LT2 DFC Lutron Vive RF	
LT3 FCJ Lutron ECO	
LT4 FCJ Lutron PowPak	
LT5 DFC Lutron Vive	
BM BubblyNet BT Mesh	
DA Dali	
X None	

Project:	Type:
	Comments:

Driver Option Details

Code	Description
LT1	LDE1 -Lutron Hi-lume 1% EcoSystem, Soft-on, Fade-to Black Dimming
LT2	RFJ/FCJS-010 - Lutron RF PowPak (0-10V)
LT3	DFCSJ-OEM-RF - Lutron Vive In-Fixture Control (RF only)
LT4	DFCSJ-OEM-OCC - Lutron Vive In-Fixture Control (with daylight & occ/vac sensors)
LT5	FCJ/FCJS-ECO - Lutron Wireless PowPak (EcoSystem)
BM	Bluetooth Mesh Smart Wireless Control by BubblyNet

Options (cont.) Details

Code	Description
EM	Emergency Battery Backup (remote)

Lumen Output

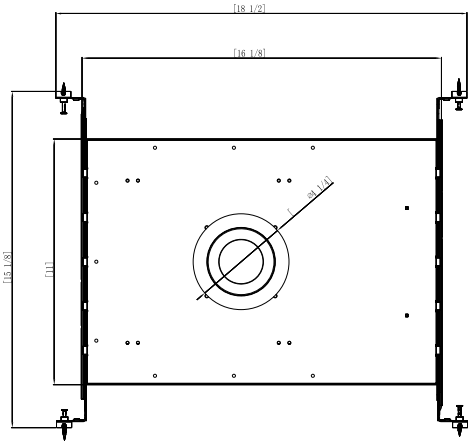
Model #	Size	Wattage	Distribution	Color Temp.	Lumen Output
TECHOLED-SD-R-3-D-10-30-12-U	3"	10W	Direct	3000K	900Lm
TECHOLED-SD-R-3-D-16-30-12-U	3"	16W	Direct	3000K	1440Lm
TECHOLED-SD-R-3-D-23-30-12-U	3"	23W	Direct	3000K	2070Lm

Performance above applies to 3000K. Calculate 96% for 2700K, 104% for 3500K and 109% for 4000K

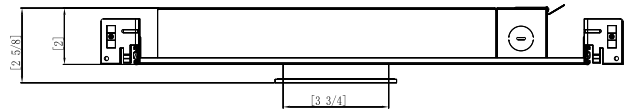
Project:	Type:
	Comments:

Product detail

SD-R-3 Trimmed

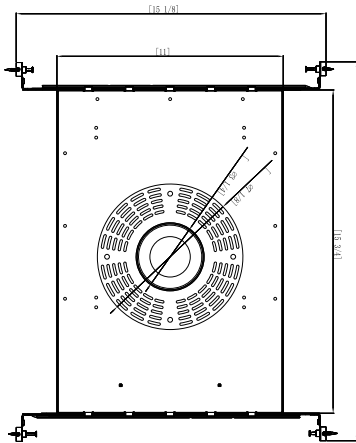


Dimensions

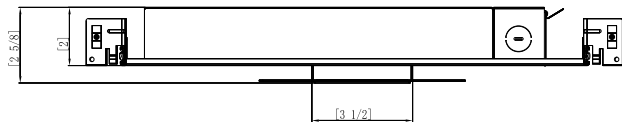


Cross Section

SD-R-3 Trimless



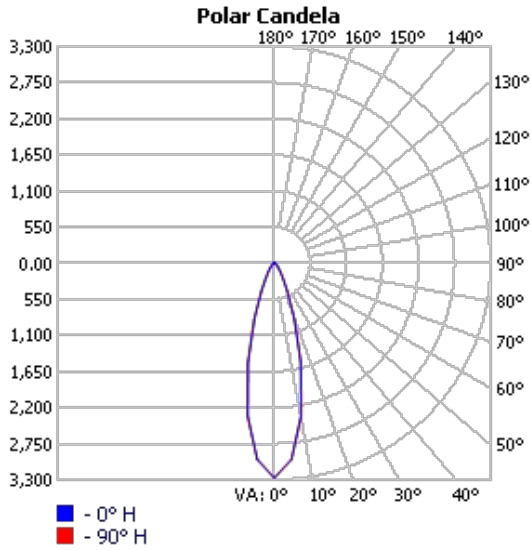
Dimensions



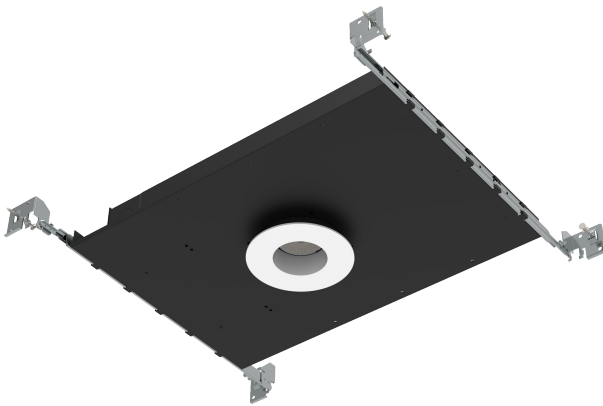
Cross Section

Project:	Type:
	Comments:

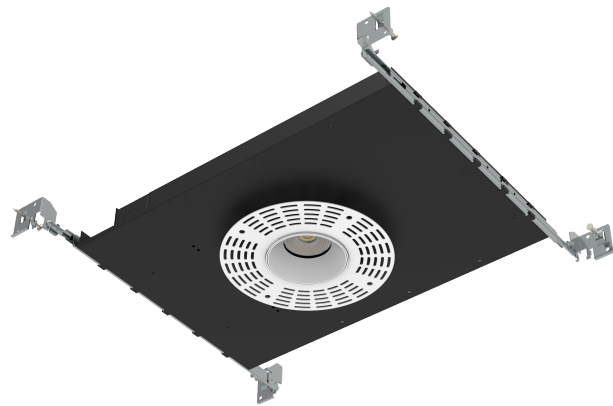
Photometrics



Mounting Option



Trimmed

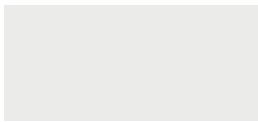


Trimless

Project:	Type:
	Comments:

Finish Details (powder coat finish)

Standard Colors (Trim)



W – White



B – Black

Custom Colors



RAL 1003



RAL 2004



RAL 3000



RAL 4001



RAL 5002



RAL 6000



RAL 6038



RAL 7001



RAL 1036



RAL 8029

Any RAL color available, please refer to ralcolorchart.com