

Project:	Type:
	Comments:

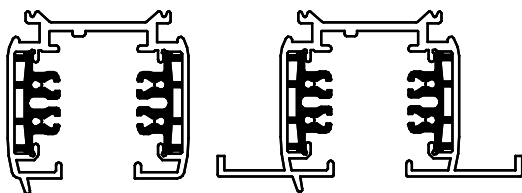


Highlights

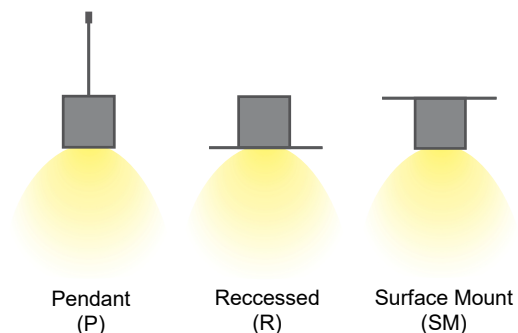
The TechoLED X Line Series is a specification grade, track lighting system. Track heads ranging from simple, high output models, to projectors with museum grade optics and light quality. Wide range of accessories and adapters for compatibility with all major tracks. Versatile and sophisticated lighting solution for all modern commercial and residential applications.

Construction: High grade aluminum extrusion, 120V input voltage, 2 circuit

Cross Sections



Installation



Project:	Type:
	Comments:

Configuration Example

Model #	Length	Voltage	Finish	Mounting
TECHOLED-XT-2-120V-W-P-X	2'	120V	White	Pendant

Ordering Guide:

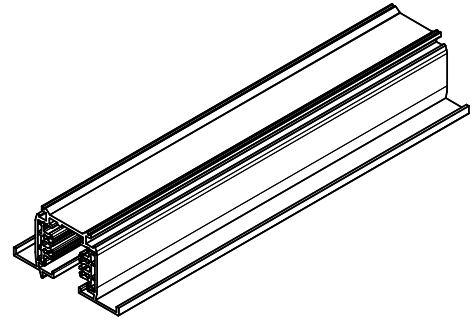
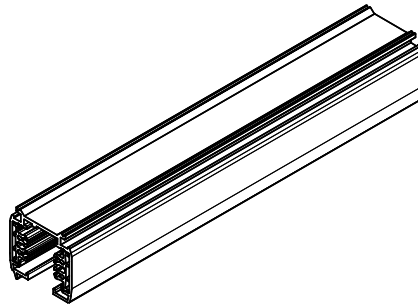
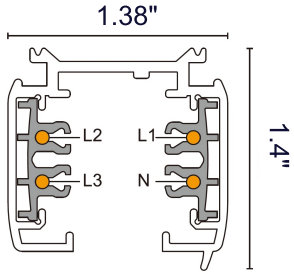
Select one option from each group below. For a custom preference please contact sales@techoled.com

1-FIXTURE ID		2-LENGTH		3-VOLTAGE		4-FINISH	
XT	X line track - 2 circuit	2	2'	120	120V	B	Black
		4	4'			W	White
		6	6'			C	Custom (RAL#)
		8	8'				
		C	Custom				

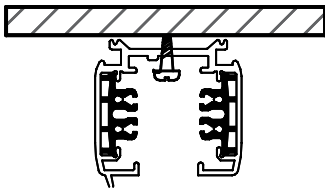
5-MOUNTING		6-DRIVER OPTIONS	
P	Pendant	DA	Dali
SM	Surface Mount	DMX	DMX
R	Recessed	X	None

Project:	Type:
	Comments:

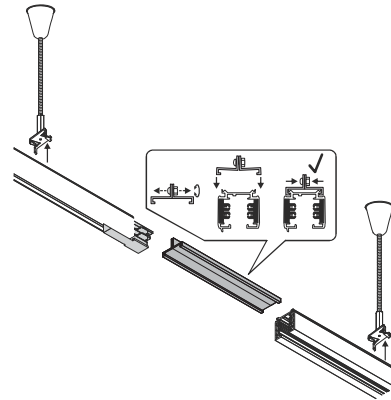
Dimension and Mounting



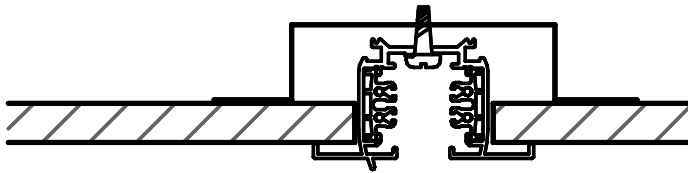
Surface Mounted



Pendant



Recessed



Project:	Type:
	Comments:

Accessories and Patterns

