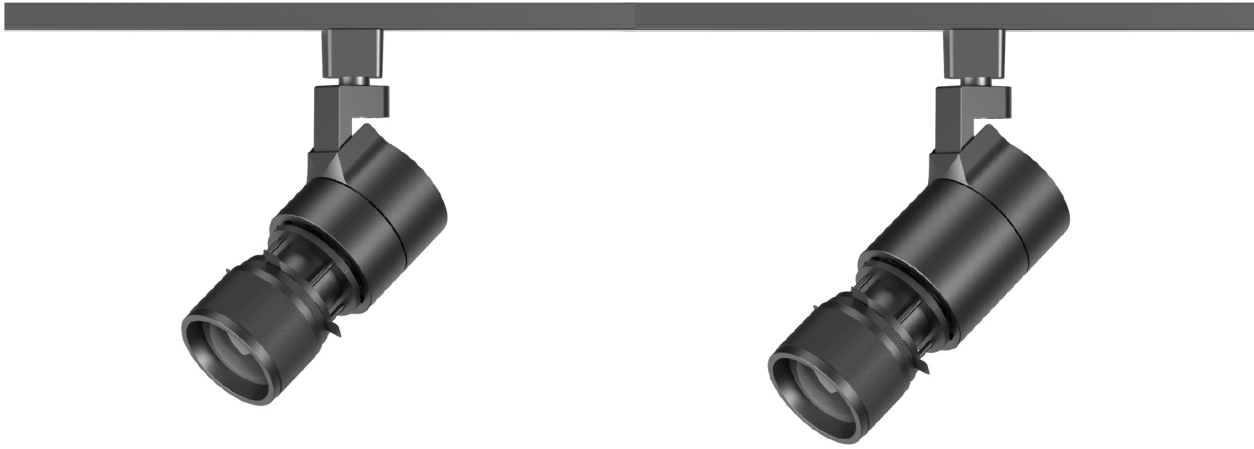


Project:	Type:
	Comments:



### Highlights

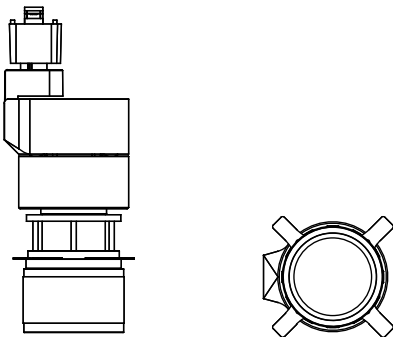
The TechoLED X Line Series is a specification grade, track lighting system. Track heads ranging from simple, high output models, to projectors with museum grade optics and light quality. Wide range of accessories and adapters for compatibility with all major tracks. Versatile and sophisticated lighting solution for all modern commercial and residential applications.

**LED:** Cree LED Chips, 2700-5000K, 95+ CRI

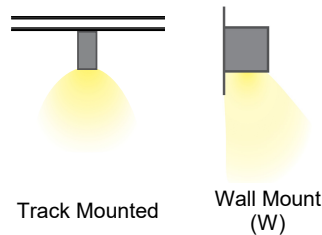
**Optical:** Direct illumination, 20°-40° beam angles (field available), museum grade projector capabilities

**Construction:** 120V input voltage. High-grade die cast aluminum, powder coat finish, custom finishes available

### Cross Section



### Installation



Project:	Type:
	Comments:

### Configuration Example

Model #	Lumen Output	Beam Angle	Color Temp.	Finish	Mounting
TECHOLED-XP-ME-ADJ-30-B-H	Medium	Adjustable	3000K	Black	Halo

### Ordering Guide:

Select one option from each group below. For a custom preference please contact [sales@techoled.com](mailto:sales@techoled.com)

1-FIXTURE ID	2-LUMEN OUTPUT	3-BEAM ANGLE	4-COLOR TEMPERATURE
XP	<b>LO</b> Low	<b>ADJ</b> Adjustable (20°-40°)	<b>27</b> 2700K
	<b>ME</b> Medium		<b>30</b> 3000K
	<b>HI</b> High		<b>35</b> 3500K
			<b>40</b> 4000K
			<b>50</b> 5000K

5-FINISH	6-MOUNTING
<b>B</b> Black	<b>H</b> Halo *
<b>W</b> White	<b>J</b> Juno *
<b>C</b> Custom (RAL#)	<b>L</b> Lightolier *
	<b>T</b> TEK *
	<b>HT</b> HTEK *
	<b>G</b> Global *
	<b>W</b> Wall Mount

Project:	Type:
	Comments:

### Fixture ID Details

Code	Description
XP	X Series - Projector

### Lumen Output Details

Model #	Output	Beam Angle	Color Temp.	Wattage	Lumen Output
TECHOLED-XP-LO-ADJ-30-B-H	Low	20°- 40°	3000K	10W	360Lm
TECHOLED-XP-ME-ADJ-30-B-H	Medium	20°- 40°	3000K	15W	540Lm
TECHOLED-XP-HI-ADJ-30-B-H	High	20°- 40°	3000K	25W	900Lm

Performance above applies to 90CRI, 3000K. Calculate 96% for 2700K, 104% for 3500K and 109% for 4000K.

### Performance

Output	LPW
Low	36
Medium	36
High	36

### Beam Angle Details

Code	Description
ADJ	20°- 40° field adjustable

### Mounting Details

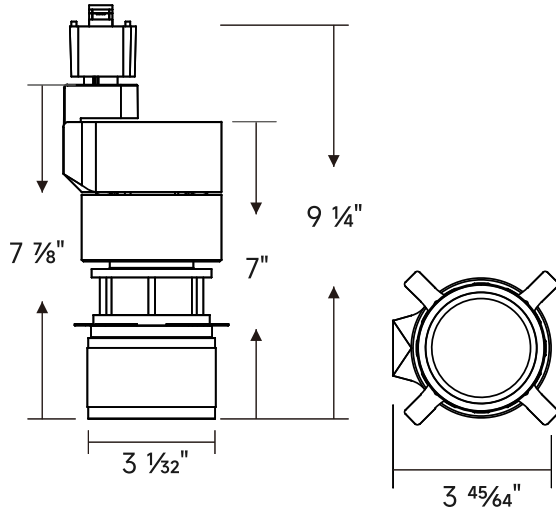
Code	Description
H	Halo (single circuit)
J	Juno (single circuit)
L	Lightolier (single circuit)
T	TEK (2circuit)
HT	HTEK (2 circuit)
G	G - Global (3 circuit)
W	Wall Mounted

Project:	Type:
	Comments:

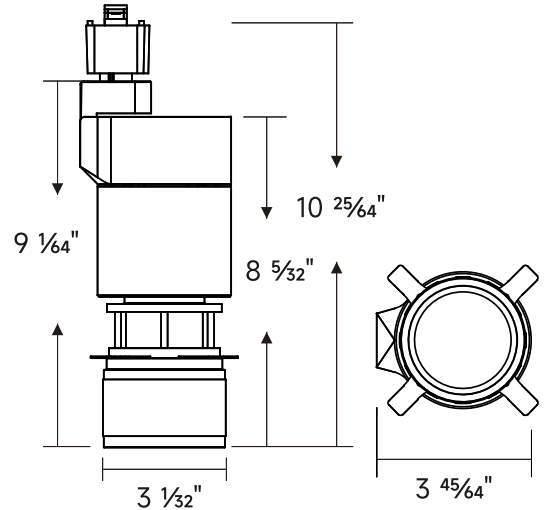
### Dimension and Mounting

#### Track Mounted

##### 10-15W Model

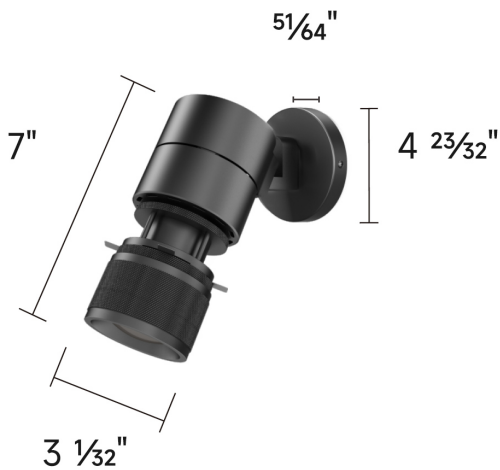


##### 25W Model

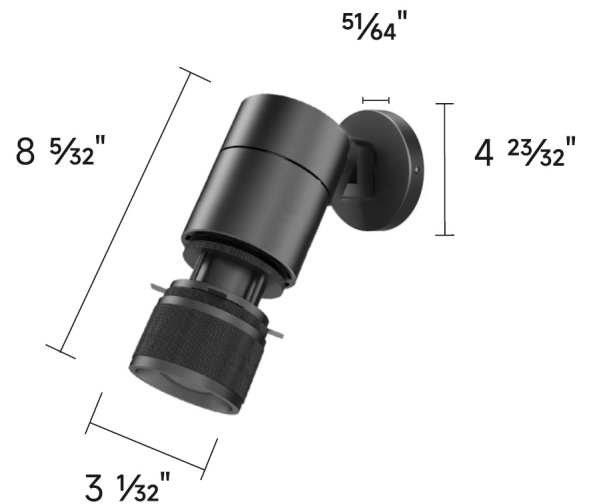


#### Wall Mounted

##### 10-15W Model

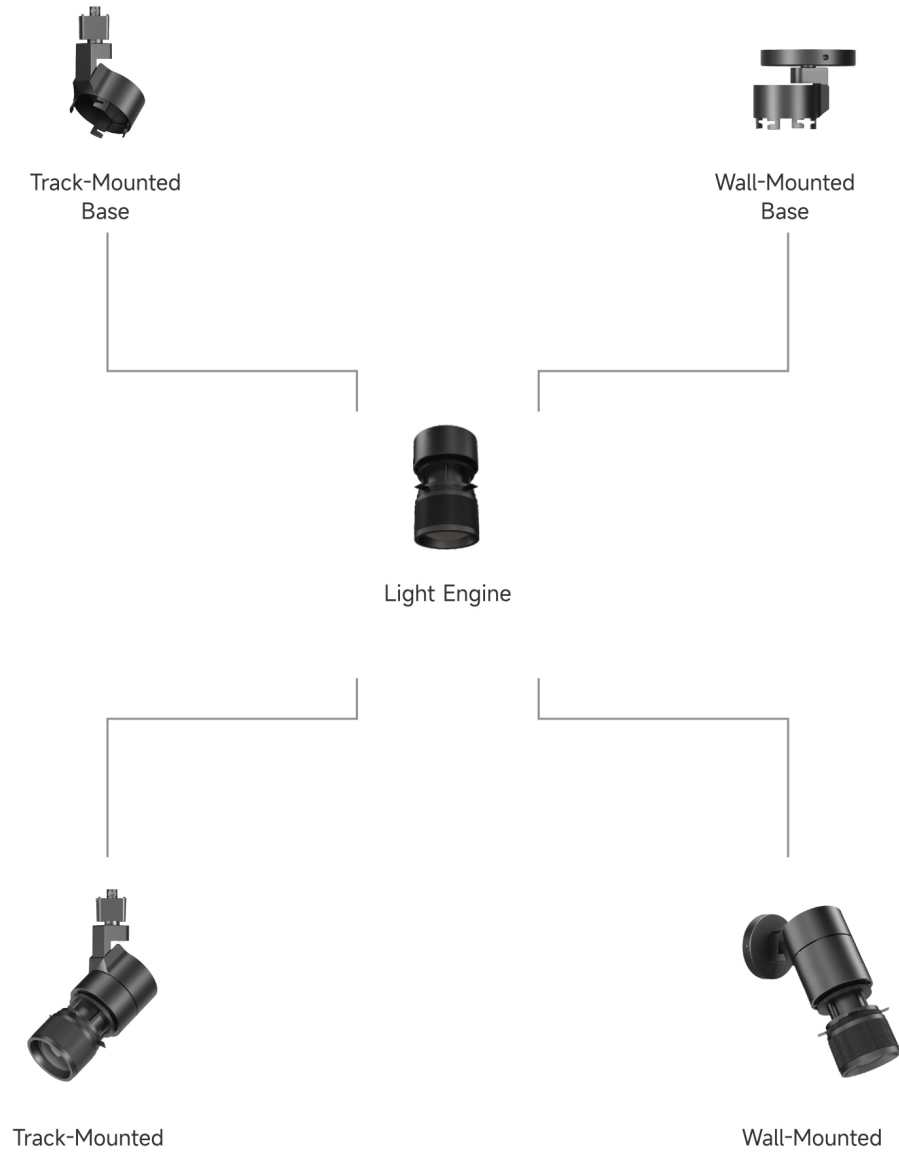


##### 25W Model



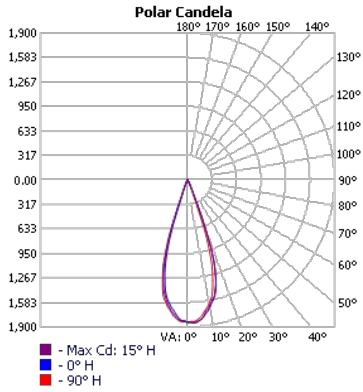
Project:	Type:
	Comments:

### Modular System Overview

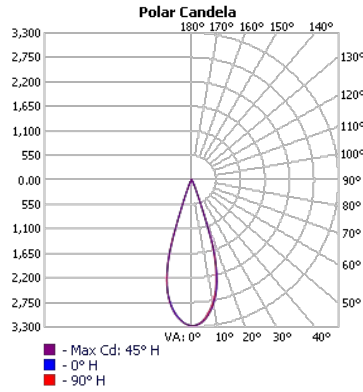


Project:	Type:
	Comments:

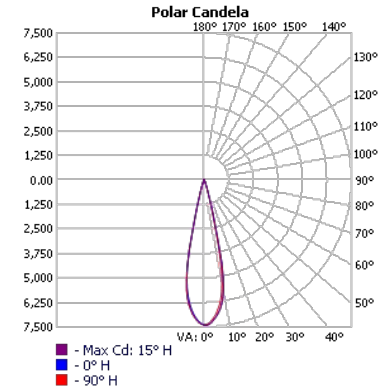
### Photometrics



TECHOLED-XP-LO-ADJ-30-B-H



TECHOLED-XP-ME-ADJ-30-B-H



TECHOLED-XP-HI-ADJ-30-B-H

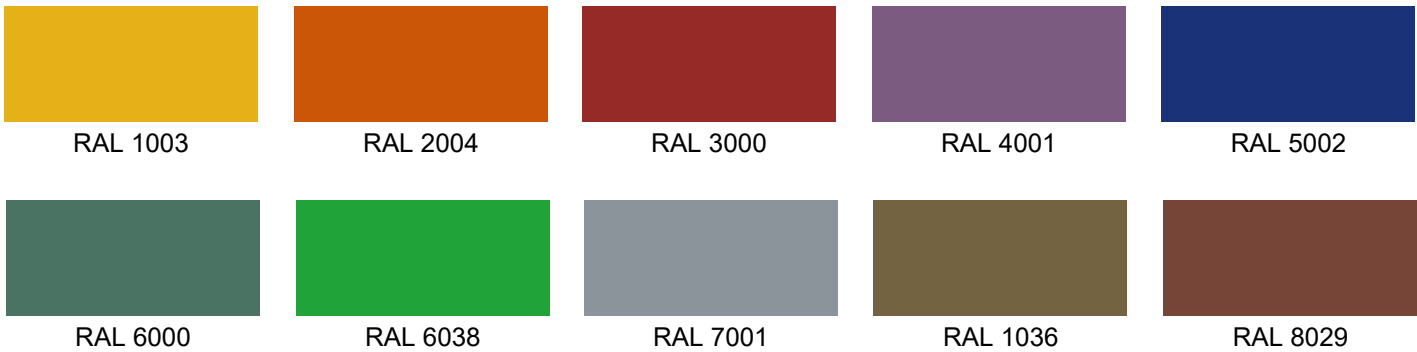
Project:	Type:
	Comments:

### Finish Details (powder coat finish)

#### ■ Standard Colors

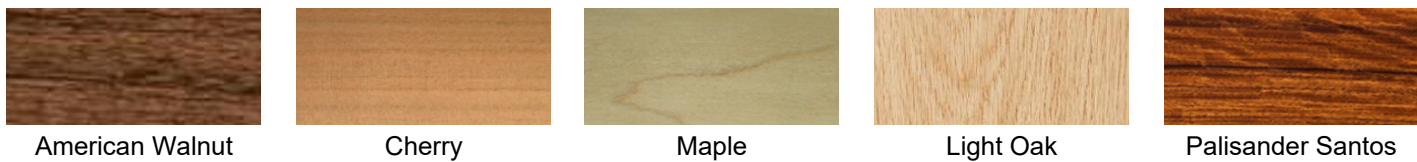


#### ■ Custom Colors



Any RAL color available, please refer to [ralcolorchart.com](http://ralcolorchart.com)

#### ■ Custom Wooden Colors



Project:	Type:
	Comments:

 **Color Temperature**

 **Color Temperature**

