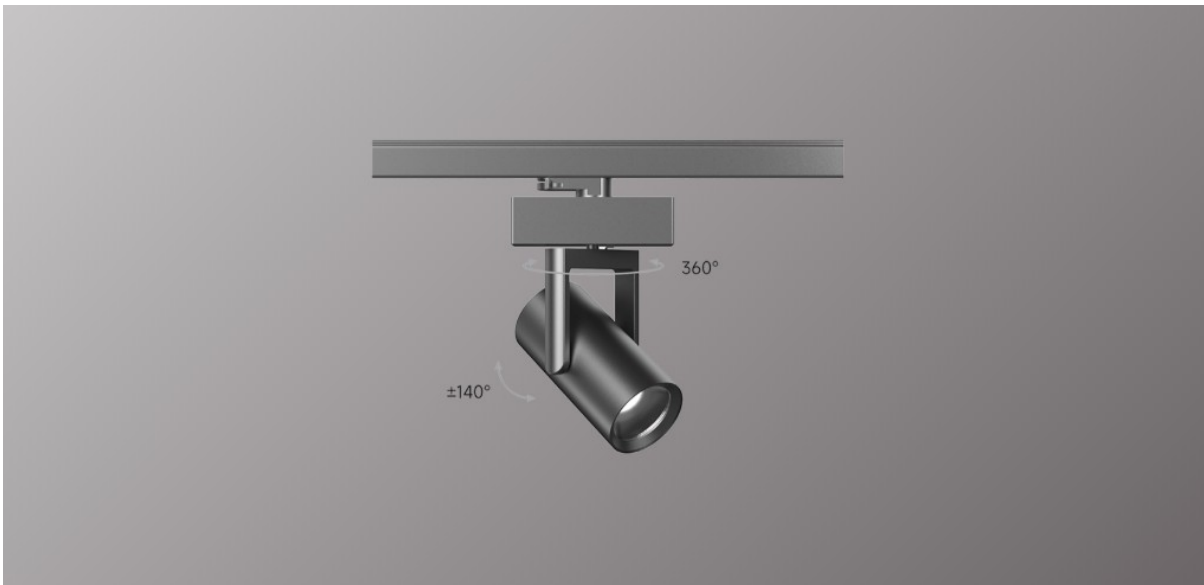


Project:	Type:
	Comments:



Highlights

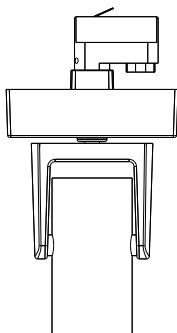
The TechoLED X Line Series is a specification grade, track lighting system. Track heads ranging from simple, high output models, to projectors with museum grade optics and light quality. Wide range of accessories and adapters for compatibility with all major tracks. Versatile and sophisticated lighting solution for all modern commercial and residential applications. Wireless controlled motorized movement, CCT and output.

LED: Cree LED Chips, 2700-5000K (field adjustable), 95+ CRI

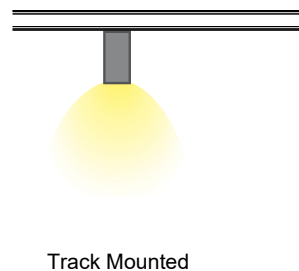
Optical: Direct illumination, 18°-60° beam angles available

Construction: 120V input voltage. Motorized, app-controlled movement. High-grade die cast aluminum, powder coat finish, custom finishes available

Cross Section



Installation



Project:	Type:
	Comments:

Configuration Example

Model #	Lumen Output	Beam Angle	Color Temp.	Finish	Mounting	Accessories
TECHOLED-XK-F-ADJ-D-B-H-HL	Adjustable	Adjustable	Dynamic	Black	Halo	Honeycomb louvre

Ordering Guide:

Select one option from each group below. For a custom preference please contact sales@techoled.com

1-FIXTURE ID		2-LUMEN OUTPUT		3-BEAM ANGLE		4-COLOR TEMPERATURE	
XK	X - KINETIC	F	Field Adjustable *	ADJ	Ajustable (18°-60°)	D	Dynamic *

5-FINISH		6-MOUNTING		7-ACCESSORIES	
B	Black	H	Halo *	HL	Honeycomb Louvre
W	White	J	Juno *		
C	Custom (RAL#)	L	Lightolier *		
		T	TEK *		
		HT	HTEK *		
		G	Global *		

Project:	Type:
	Comments:

Fixture ID Details

Code	Description
XK	X Series - Kinetic

Lumen Output Details

Model #	Output	Beam Angle	Color Temp.	Wattage	Lumen Output
TECHOLED-XK-F-ADJ-D-B-H-HL	Adjustable	18°- 60°	2700-6500K	0-30W	0-1800Lm

Performance above applies to 90CRI, 3000K. Calculate 96% for 2700K, 104% for 3500K and 109% for 4000K.

Performance

Output	LPW
F	60

Mounting Details

Code	Description
H	Halo (single circuit)
J	Juno (single circuit)
L	Lightolier (single circuit)
T	TEK (2circuit)
HT	HTEK (2 circuit)
G	G - Global (3 circuit)
W	Wall Mounted
P	Pendant
SM	Surface Mounted

Color Temperature Details

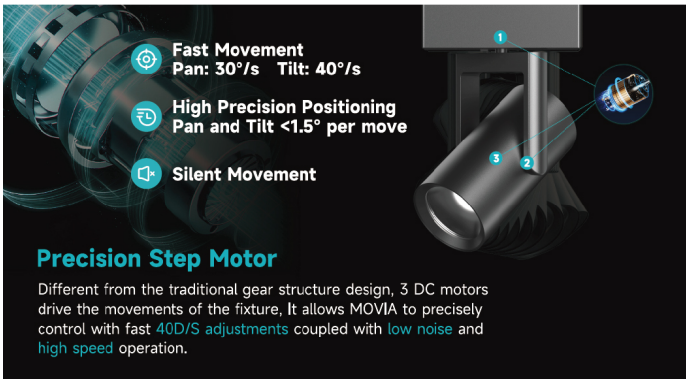
Code	Description
D	Dynamic - 2700-6500K field adjustable

Beam Angle Details

Code	Description
ADJ	15°- 60° field adjustable

Project:	Type:
	Comments:

Function Overview



- Fast Movement**
Pan: 30°/s Tilt: 40°/s
- High Precision Positioning**
Pan and Tilt <1.5° per move
- Silent Movement**

Precision Step Motor

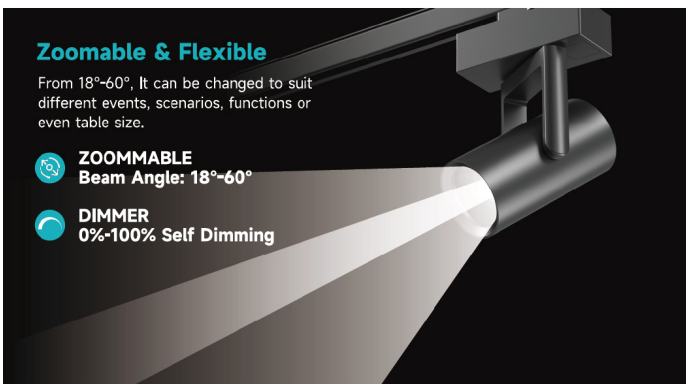
Different from the traditional gear structure design, 3 DC motors drive the movements of the fixture. It allows MOVIA to precisely control with fast 40D/S adjustments coupled with low noise and high speed operation.



- WATTAGE: 30W**
- MOVEMENT RANGE**
Pan: 0°-360° Tilt: 0°-±140°

High Efficiency Convection Design

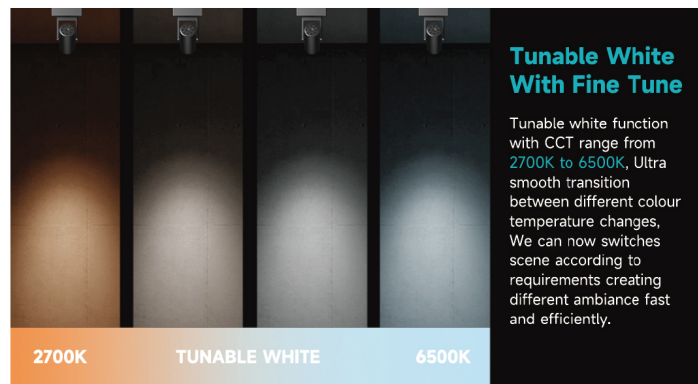
High efficiency heat convection design ensures long lifespan. Perfect thermal management integrates small body with big wattage makes the motor with less resistance for more efficient operation.



Zoomable & Flexible

From 18°-60°, It can be changed to suit different events, scenarios, functions or even table size.

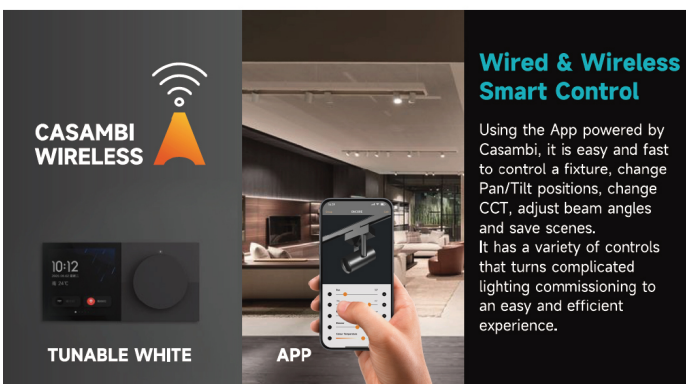
- ZOOMMABLE**
Beam Angle: 18°-60°
- DIMMER**
0%-100% Self Dimming



Tunable White With Fine Tune

Tunable white function with CCT range from 2700K to 6500K. Ultra smooth transition between different colour temperature changes. We can now switches scene according to requirements creating different ambiance fast and efficiently.

2700K TUNABLE WHITE 6500K



CASAMBI WIRELESS

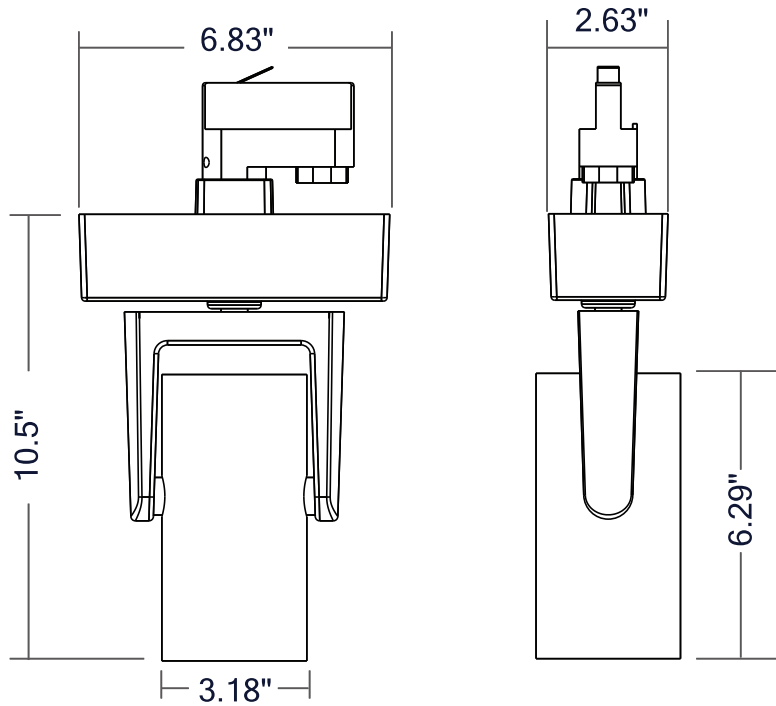
Wired & Wireless Smart Control

Using the App powered by Casambi, it is easy and fast to control a fixture, change Pan/Tilt positions, change CCT, adjust beam angles and save scenes. It has a variety of controls that turns complicated lighting commissioning to an easy and efficient experience.

TUNABLE WHITE APP

Project:	Type:
	Comments:

□ Dimension and Mounting



□ Accessories

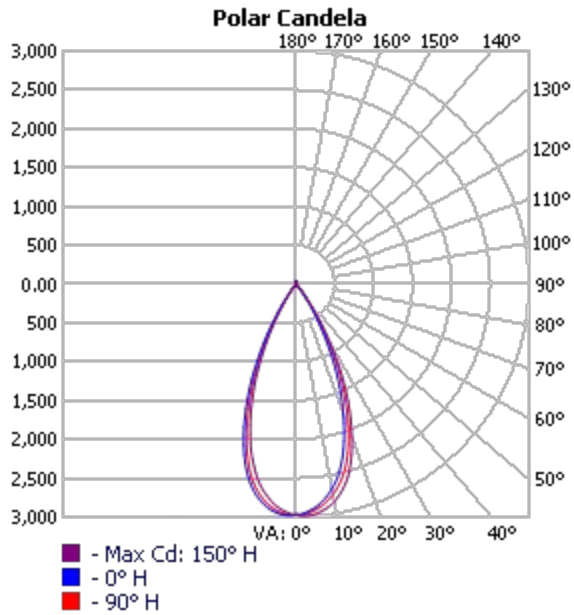
■ Honeycomb louvre



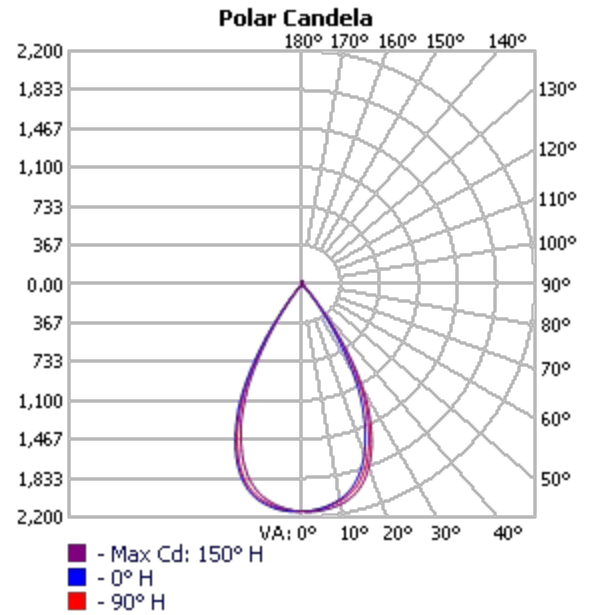
Project:	Type:
	Comments:

Photometrics

TECHOLED-XK-F-ADJ-D-B-H-HL-18DEG



TECHOLED-XK-F-ADJ-D-B-H-HL-60DEG



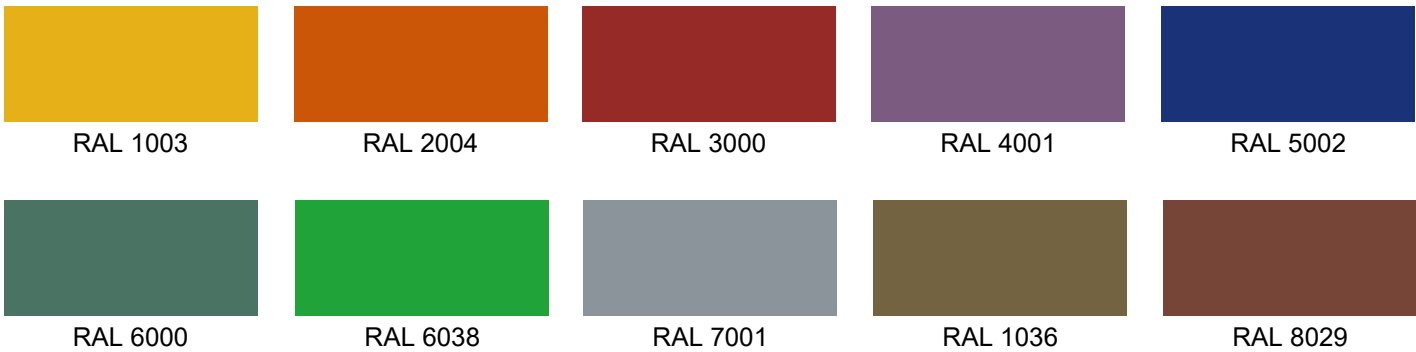
Project:	Type:
	Comments:

Finish Details (powder coat finish)

■ Standard Colors

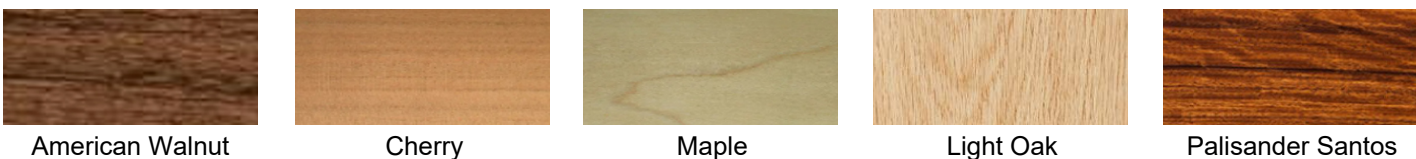


■ Custom Colors



Any RAL color available, please refer to ralcolorchart.com

■ Custom Wooden Colors



Project:	Type:
	Comments:

 **Color Temperature**

 **Color Temperature**

